

Grove - IMU 9DOF(lcm20600+AK09918)

The Grove - IMU 9DOF (lcm20600+AK09918) is a 9 Degrees of Freedom IMU (Inertial measurement unit) which combines gyroscope, accelerometer and electronic compass. We use two chips LCM20600+AK09918 to implement those 3 functions.

The LCM20600 is a 6-axis MotionTracking device that combines a 3-axis gyroscope, 3-axis accelerometer. Gyroscope is a device used for measuring or maintaining orientation and angular velocity, normally, we use it to measure spin and twist. Accelerometer is a device that measures proper acceleration.

The AK09918 is a 3-axis electronic compass IC with high sensitive Hall sensor technology. We use an electronic compass to measure the magnetic force, which can provide us with the direction information.

As its name suggests just use this single small module and you can measure 9 Degrees of Freedom: angular rotation in x/y/z axis, acceleration in x/y/z axis, and magnetic force in x/y/z axis.

What an amazing module! Just use this module to build your own motion and orientation system 😊

Features

- 3-Axis Gyroscope with Programmable FSR of ± 250 dps, ± 500 dps, ± 1000 dps, and ± 2000 dps
- 3-Axis Accelerometer with Programmable FSR of $\pm 2g$, $\pm 4g$, $\pm 8g$, and $\pm 16g$
- 3-Axis Electronic Compass with $0.15 \mu T/LSB$ (typ.) sensitivity
- User-programmable interrupts
- 16-bit ADC resolution and Programmable Filters for acceleration measurements
- 16-bit ADC resolution for magnetic measurements
- 1 KB FIFO buffer enables the applications processor to read the data in bursts(LCM20600)
- Embedded temperature sensor
- Magnetic sensor overflow monitor function
- Built-in oscillator for internal clock source

Specification

Item	Value
Operating voltage	3.3V / 5V
Operating temperature	-30°C to +85°C
Gyroscope Full-Scale Range	± 250 dps, ± 500 dps, ± 1000 dps, ± 2000 dps
Gyroscope Sensitivity Scale Factor	131 LSB/(dps)@ ± 250 dps 65.5 LSB/(dps)@ ± 500 dps 32.8 LSB/(dps)@ ± 1000 dps 16.4 LSB/(dps)@ ± 2000 dps
Accelerometer Full-Scale Range	$\pm 2g$, $\pm 4g$, $\pm 8g$, $\pm 16g$
Accelerometer Sensitivity Scale Factor	16384 LSB/g@ $\pm 2g$ 8192 LSB/g@ $\pm 4g$ 4096 LSB/g@ $\pm 8g$ 2048 LSB/g@ $\pm 16g$

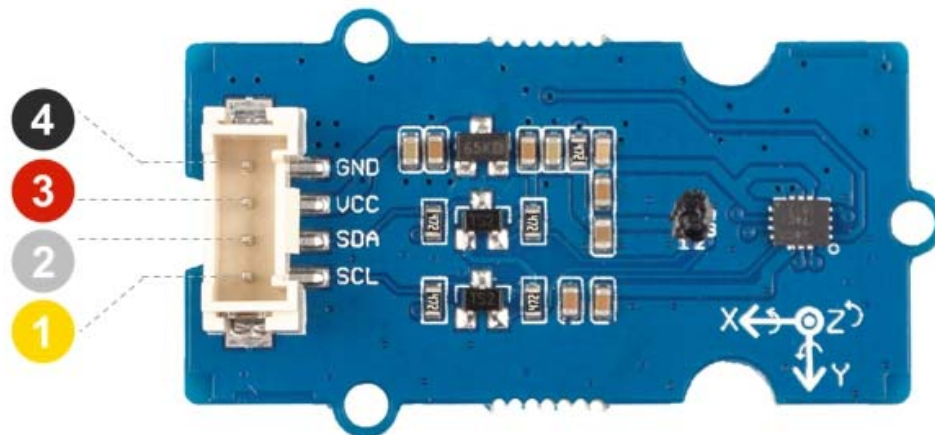
Item	Value
Magnetic sensor measurement range	$\pm 4912\mu\text{T}$ (typical)
Magnetic sensor sensitivity	$0.15\mu\text{T}$ (typical)
Interface	I ² C
I ² C Address	LCM20600 0x69(default) 0x68(optional) AK09918 0x0C

Applications

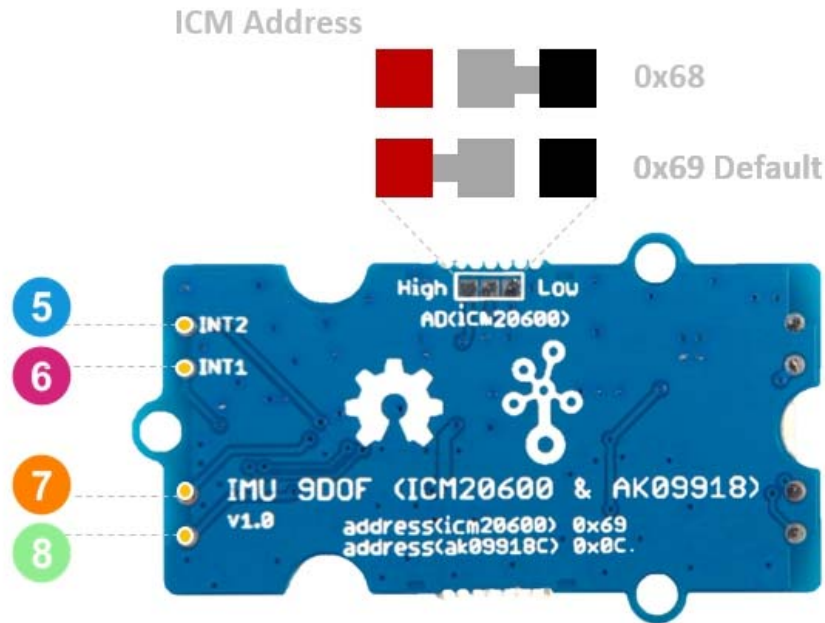
- Smartphones and Tablets
- Wearable Sensors

Hardware Overview

Pin Out



- 4 GND: connect this module to the system GND
- 3 VCC: you can use 5V or 3.3V for this module
- 2 SDA: I²C serial data
- 1 SCL: I²C serial clock



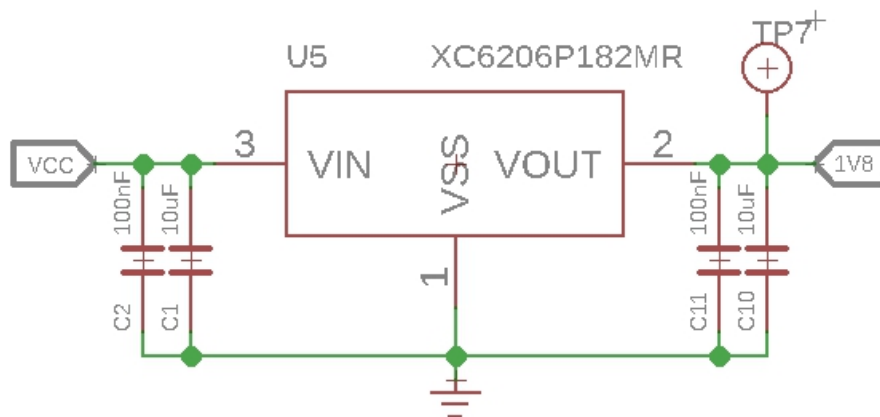
- 5** INT2: Interrupt digital output (totem pole or open-drain)
- 6** INT1: Interrupt digital output (totem pole or open-drain)
- 7** FSYNC: Frame synchronization digital input or No Connect
- 8** VCC_1.8V: Provide 1.8V for ICM20600 and AK09918

Danger

The default I2C address of LCM20600 is 0x69, you can change it to 0x68. The central pad is connected to the address wire, you can change the I2C address by cutting the wire and re-welding it. For the safety of you and others, please be careful with knife or welding gun you may use.

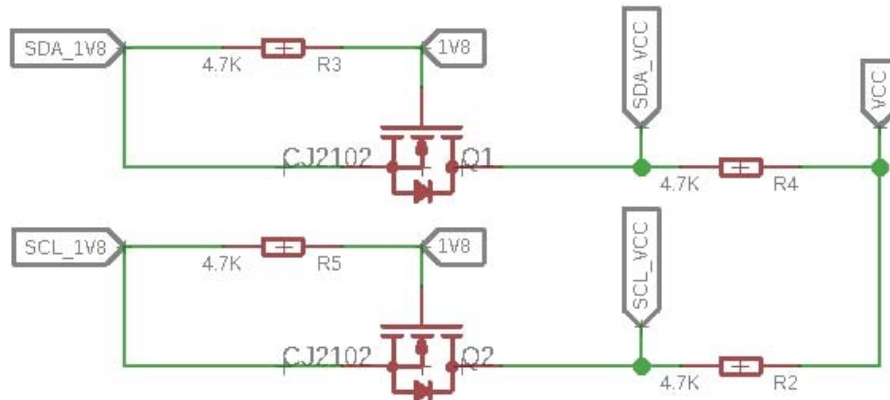
Schemaitc

Power



Since the operating voltage range of LCM20600 is 1.71V to 3.45V, and the operating voltage range of AK09918 is 1.65V to 1.95V, we use a power conversion chip **XC6206P182MR** to provide a stable 1.8V for both chips.

Bi-directional level shifter circuit



This is a typical Bi-directional level shifter circuit to connect two different voltage section of an I²C bus. The I²C bus of two chips use 1.8V, if the I²C bus of the Arduino use 5V or 3.3V, this circuit will be needed. In the schematic above, **Q1** and **Q2** are N-Channel MOSFET CJ2102, which act as a bidirectional switch. In order to better understand this part, you can refer to the AN10441

Platforms Supported

Arduino	Raspberry Pi	BeagleBone	Wio	LinkIt ONE
				


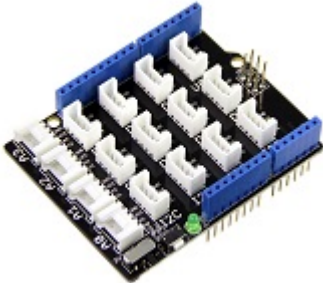

Caution

The platforms mentioned above as supported is/are an indication of the module's hardware or theoretical compatibility. We only provide software library or code examples for Arduino platform in most cases. It is not possible to provide software library / demo code for all possible MCU platforms. Hence, users have to write their own software library.

Getting Started Play With Arduino

Hardware

Materials required

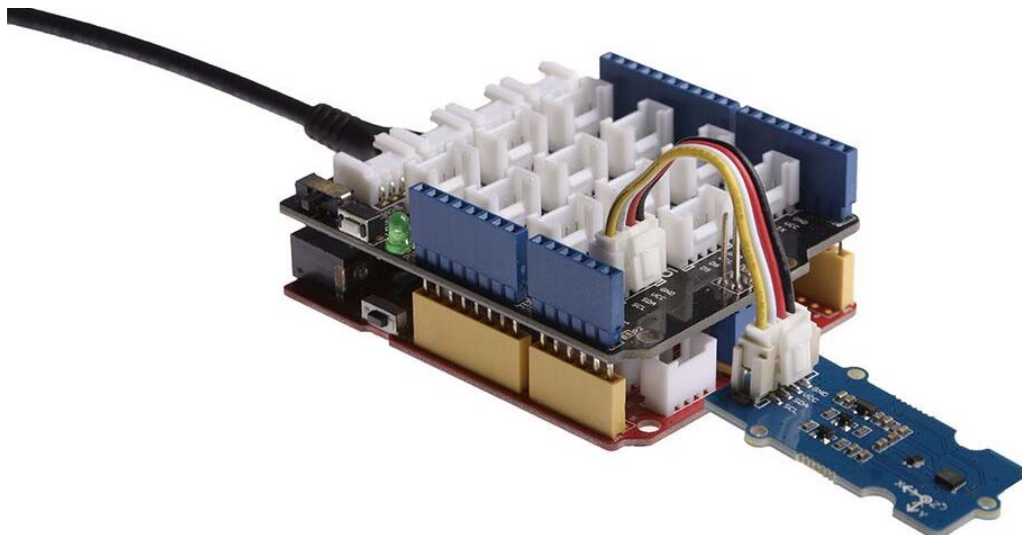
Seeeduino V4.2	Base Shield	Grove - IMU 9DOF
		

Note

1 Please plug the USB cable gently, otherwise you may damage the port. Please use the USB cable with 4 wires inside, the 2 wires cable can't transfer data. If you are not sure about the wire you have, you can [click here to buy](#)

2 Each Grove module comes with a Grove cable when you buy. In case you lose the Grove cable, you can [click here to buy](#).

- **Step 1.** Connect the Grove - IMU 9DOF (lcm20600+AK09918) to port I²C of Grove-Base Shield.
- **Step 2.** Plug Grove - Base Shield into Seeeduino.
- **Step 3.** Connect Seeeduino to PC via a USB cable.



Note

If we don't have Grove Base Shield, We also can directly connect this module to Seeeduino as below.

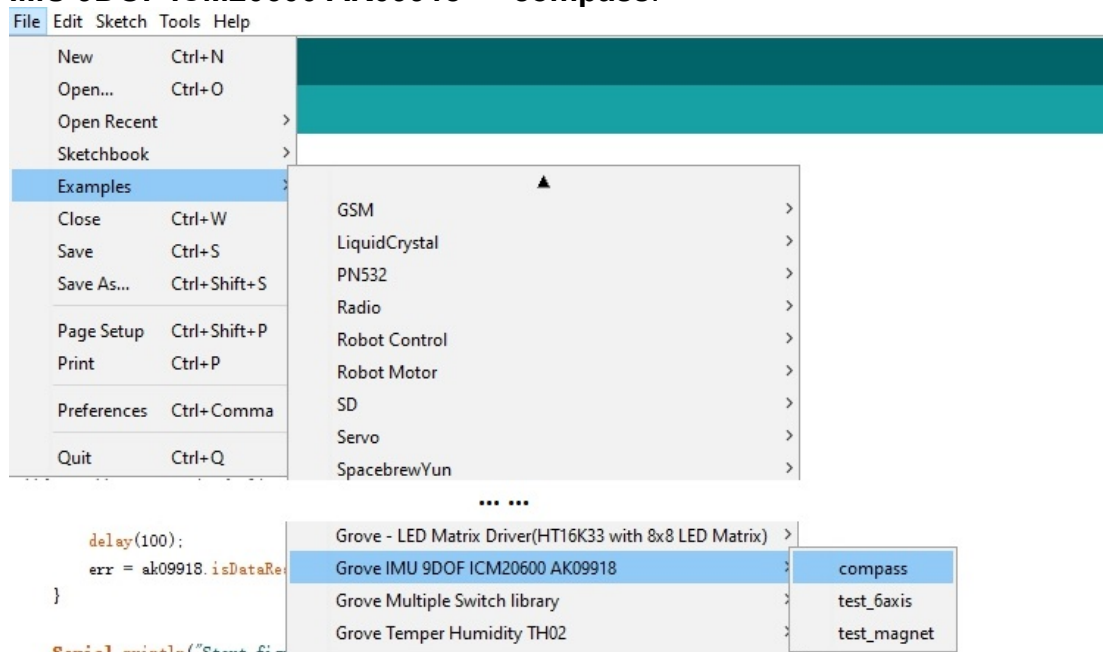
Seeeduino	Grove - IMU 9DOF
5V	Red
GND	Black
SDA	White
SCL	Yellow

Software

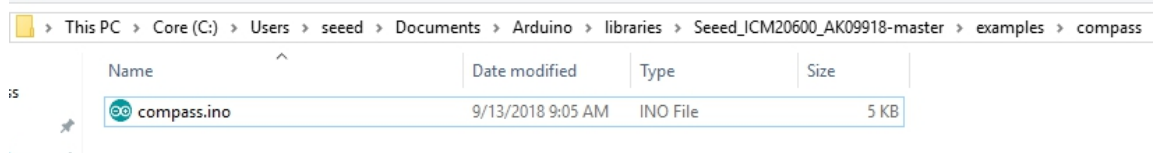
Note


If this is the first time you work with Arduino, we strongly recommend you to see Getting Started with Arduino before the start.

- **Step 1.** Download the Grove - IMU 9DOF (Icm20600+AK09918) Library from Github.
- **Step 2.** Refer to How to install library to install library for Arduino.
- **Step 3.** Restart the Arduino IDE. Open the example, you can open it in the following three ways :
 - a. Open it directly in the Arduino IDE via the path: **File** → **Examples** → **Grove IMU 9DOF ICM20600 AK09918** → **compass**.



- b. Open it in your computer by click the **compass.ino** which you can find in the folder **XXXX\Arduino\libraries\Seed_ICM20600_AK09918-master\examples\compass**, **XXXX** is the location you installed the Arduino IDE.



- c. Or, you can just click the icon  in upper right corner of the code block to copy the following code into a new sketch in the Arduino IDE.

```
1#include "AK09918.h"
2#include "ICM20600.h"
3#include <Wire.h>
4
5AK09918_err_type_t err;
6int32_t x, y, z;
7AK09918 ak09918;
8ICM20600 icm20600(true);
9int16_t acc_x, acc_y, acc_z;
10int32_t offset_x, offset_y, offset_z;
11double roll, pitch;
12// Find the magnetic declination at your location
13// http://www.magnetic-declination.com/
14double declination_shenzhen = -2.2;
15
16void setup()
17{
18 // join I2C bus (I2Cdev library doesn't do this automatically)
19 Wire.begin();
20
21 err = ak09918.initialize();
22 icm20600.initialize();
23 ak09918.switchMode(AK09918_POWER_DOWN);
24 ak09918.switchMode(AK09918_CONTINUOUS_100HZ);
25 Serial.begin(9600);
26
27 err = ak09918.isDataReady();
28 while (err != AK09918_ERR_OK)
29 {
30     Serial.println("Waiting Sensor");
31     delay(100);
32     err = ak09918.isDataReady();
33 }
34
35 Serial.println("Start figure-8 calibration after 2 seconds.");
36 delay(2000);
37 calibrate(10000, &offset_x, &offset_y, &offset_z);
38 Serial.println("");
39}
40
41void loop()
42{
```



```

43 // get acceleration
44 acc_x = icm20600.getAccelerationX();
45 acc_y = icm20600.getAccelerationY();
46 acc_z = icm20600.getAccelerationZ();
47
48 Serial.print("A: ");
49 Serial.print(acc_x);
50 Serial.print(", ");
51 Serial.print(acc_y);
52 Serial.print(", ");
53 Serial.print(acc_z);
54 Serial.println(" mg");
55
56 Serial.print("G: ");
57 Serial.print(icm20600.getGyroscopeX());
58 Serial.print(", ");
59 Serial.print(icm20600.getGyroscopeY());
60 Serial.print(", ");
61 Serial.print(icm20600.getGyroscopeZ());
62 Serial.println(" dps");
63
64 ak09918.getData(&x, &y, &z);
65 x = x - offset_x;
66 y = y - offset_y;
67 z = z - offset_z;
68
69 Serial.print("M: ");
70 Serial.print(x);
71 Serial.print(", ");
72 Serial.print(y);
73 Serial.print(", ");
74 Serial.print(z);
75 Serial.println(" uT");
76
77 // roll/pitch in radian
78 roll = atan2((float)acc_y, (float)acc_z);
79 pitch = atan2(-(float)acc_x, sqrt((float)acc_y*acc_y+(float)acc_z*acc_z));
80 Serial.print("Roll: ");
81 Serial.println(roll*57.3);
82 Serial.print("Pitch: ");
83 Serial.println(pitch*57.3);
84
85 double Xheading = x * cos(pitch) + y * sin(roll) * sin(pitch) + z * cos(roll) * sin(pitch);
86 double Yheading = y * cos(roll) - z * sin(pitch);
87
88
89 double heading = 180 + 57.3*atan2(Yheading, Xheading) + declination_shenzhen;
90
91 Serial.print("Heading: ");
92 Serial.println(heading);
93 Serial.println("-----");
94
95 delay(500);
96
97}
98

```

```
99 void calibrate(uint32_t timeout, int32_t *offsetx, int32_t *offsety, int32_t *offsetz)
100 {
101     int32_t value_x_min = 0;
102     int32_t value_x_max = 0;
103     int32_t value_y_min = 0;
104     int32_t value_y_max = 0;
105     int32_t value_z_min = 0;
106     int32_t value_z_max = 0;
107     uint32_t timeStart = 0;
108
109     ak09918.getData(&x, &y, &z);
110
111     value_x_min = x;
112     value_x_max = x;
113     value_y_min = y;
114     value_y_max = y;
115     value_z_min = z;
116     value_z_max = z;
117     delay(100);
118
119     timeStart = millis();
120
121     while((millis() - timeStart) < timeout)
122     {
123         ak09918.getData(&x, &y, &z);
124
125         /* Update x-Axis max/min value */
126         if(value_x_min > x)
127         {
128             value_x_min = x;
129             // Serial.print("Update value_x_min: ");
130             // Serial.println(value_x_min);
131         }
132     }
133     else if(value_x_max < x)
134     {
135         value_x_max = x;
136         // Serial.print("update value_x_max: ");
137         // Serial.println(value_x_max);
138     }
139
140     /* Update y-Axis max/min value */
141     if(value_y_min > y)
142     {
143         value_y_min = y;
144         // Serial.print("Update value_y_min: ");
145         // Serial.println(value_y_min);
146     }
147 }
148 else if(value_y_max < y)
149 {
150     value_y_max = y;
151     // Serial.print("update value_y_max: ");
152     // Serial.println(value_y_max);
153 }
154 }
```

```

155 /* Update z-Axis max/min value */
156 if(value_z_min > z)
157 {
158     value_z_min = z;
159     // Serial.print("Update value_z_min: ");
160     // Serial.println(value_z_min);
161 }
162 }
163 else if(value_z_max < z)
164 {
165     value_z_max = z;
166     // Serial.print("update value_z_max: ");
167     // Serial.println(value_z_max);
168 }
169 }
170 Serial.print(".");
171 delay(100);
172 }
173 }
174 }
175 *offsetx = value_x_min + (value_x_max - value_x_min)/2;
176 *offsety = value_y_min + (value_y_max - value_y_min)/2;
177 *offsetz = value_z_min + (value_z_max - value_z_min)/2;
178}

```

Note

There are 3 demos in the library:

test_6axis

This example shows how to get gyroscope and acceleration data from ICM20600.

test_magnet

This example shows how to get magnetic data from AK09918.

compass

This example gets magnetic data and acceleration data, to count pitch and roll, and make a compass application.

- **Step 4.** Upload the demo. If you do not know how to upload the code, please check How to upload code.
- **Step 5.** Open the **Serial Monitor** of Arduino IDE by click **Tool-> Serial Monitor**. Or tap the **Ctrl + Shift + M** key at the same time. Set the baud rate to **9600**.

Success

If every thing goes well, when you open the Serial Monitor, the notice will pop up--*Start figure-8 calibration after 2 seconds*. Which means in order to calibrate this module, you should move it and draw the number 8 trajectory in the air. When the "....." appears, you can start your calibration.

```
1 Start figure-8 calibration after 2 seconds.
2 .....
3 A: -362, -205, 738 mg
4 G: -45, 12, -1 dps
5 M: -6, -23, -33 uT
6 Roll: -15.53
7 Pitch: 25.30
8 Heading: 23.99
9 .....
10 A: -269, 583, 61 mg
11 G: 102, 377, -2 dps
12 M: 18, -21, -18 uT
13 Roll: 84.03
14 Pitch: 24.65
15 Heading: 215.58
16 .....
17 A: -495, 229, 37 mg
18 G: -43, -231, 201 dps
19 M: 7, -30, 6 uT
20 Roll: 80.83
21 Pitch: 64.90
22 Heading: 21.76
23 .....
```

Note

As you can see, the result of compass example includes three parameter: roll, pitch and Heading. There are the terminology of **Euler angles**(click to check more information).

Function table

Function	Description
ICM20600	
initialize()	Initialize the chip ICM20600, by default: the measurement range of gyroscope is ± 2000 dps the measurement range of accelerometer is $\pm 16g$
setGyroScaleRange(gyro_scale_type_t range)	After the initialization, you can set the gyroscope range to meet your own needs, the parameter gyro_scale_type_t range list: RANGE_250_DPS RANGE_500_DPS RANGE_1K_DPS

Function	Description
	<p>RANGE_2K_DPS</p> <p>e.g.</p> <p>icm20600.setGyroScaleRange(RANGE_1K_DPS);</p> <p>this code line will change the gyroscope measurement range to ± 1000dps</p>
setAccScaleRange(acc_scale_type_t range)	<p>After the initialization, you can set the accelerometer range to meet your own needs, the parameter acc_scale_type_t range list:</p> <p>RANGE_2G</p> <p>RANGE_4G</p> <p>RANGE_8G</p> <p>RANGE_16G</p> <p>e.g.</p> <p>icm20600.setAccScaleRange(RANGE_8G);</p> <p>this code line will change the accelerometer measurement range to ± 8g</p>
getGyroscope(int16_t* x, int16_t* y, int16_t* z)	You can use this function to get the gyroscope X/Y/Z 3-axis data at the same time, and the unit of the data is dps
getGyroscopeX(void) getGyroscopeY(void) getGyroscopeZ(void)	Or, you can get the gyroscope X/Y/Z 3-axis data separately by using those three functions, and the unit of the data is dps
getRawGyroscopeX(void) getRawGyroscopeY(void) getRawGyroscopeZ(void)	Those three functions get the raw data directly from the register of ICM20600 without convert the data unit to dps
getAcceleration(int16_t* x, int16_t* y, int16_t* z)	You can use this function to get the X/Y/Z 3-axis acceleration at the same time, and the unit of the data is mg
getAccelerationX(void) getAccelerationY(void) getAccelerationZ(void)	Or, you can get the X/Y/Z 3-axis acceleration separately by using those three functions, and the unit of the data is mg
getRawAccelerationX(void) getRawAccelerationY(void) getRawAccelerationZ(void)	Those three functions get the raw data directly from the register of ICM20600 without convert the data unit to mg
getTemperature(void)	You can use this function to get the temperature

Function	Description
AK09918	
getData(int32_t *axis_x, int32_t *axis_y, int32_t *axis_z)	You can use this function to get the magnetic force of 3-axis.

Project

This is the introduction Video of this product, simple demos, you can have a try.

Tech Support

Please do not hesitate to submit the issue into our forum.