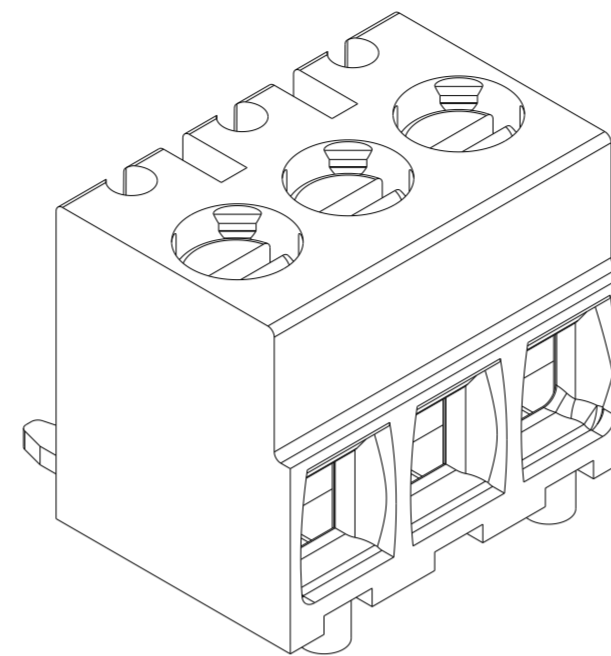
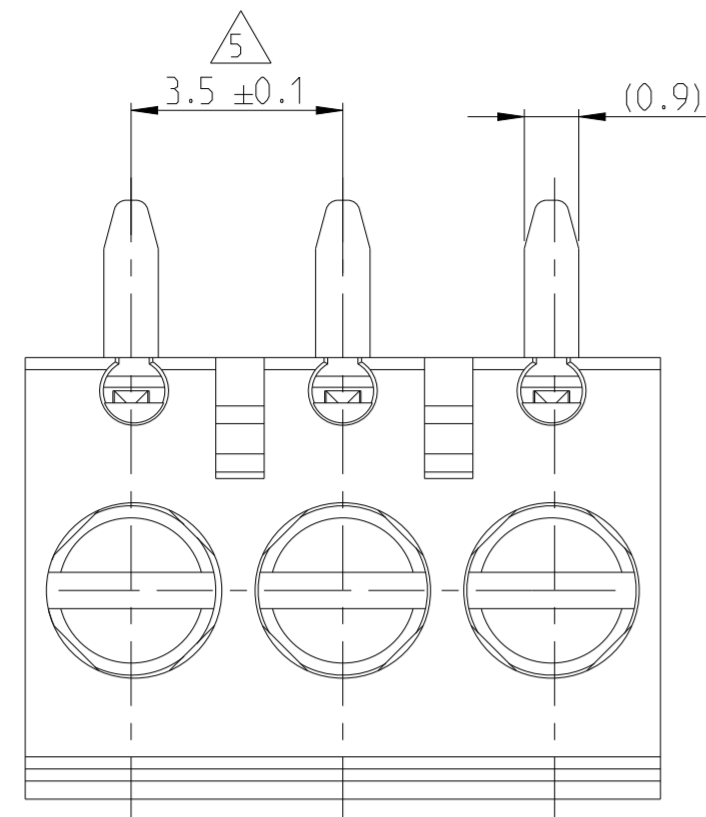


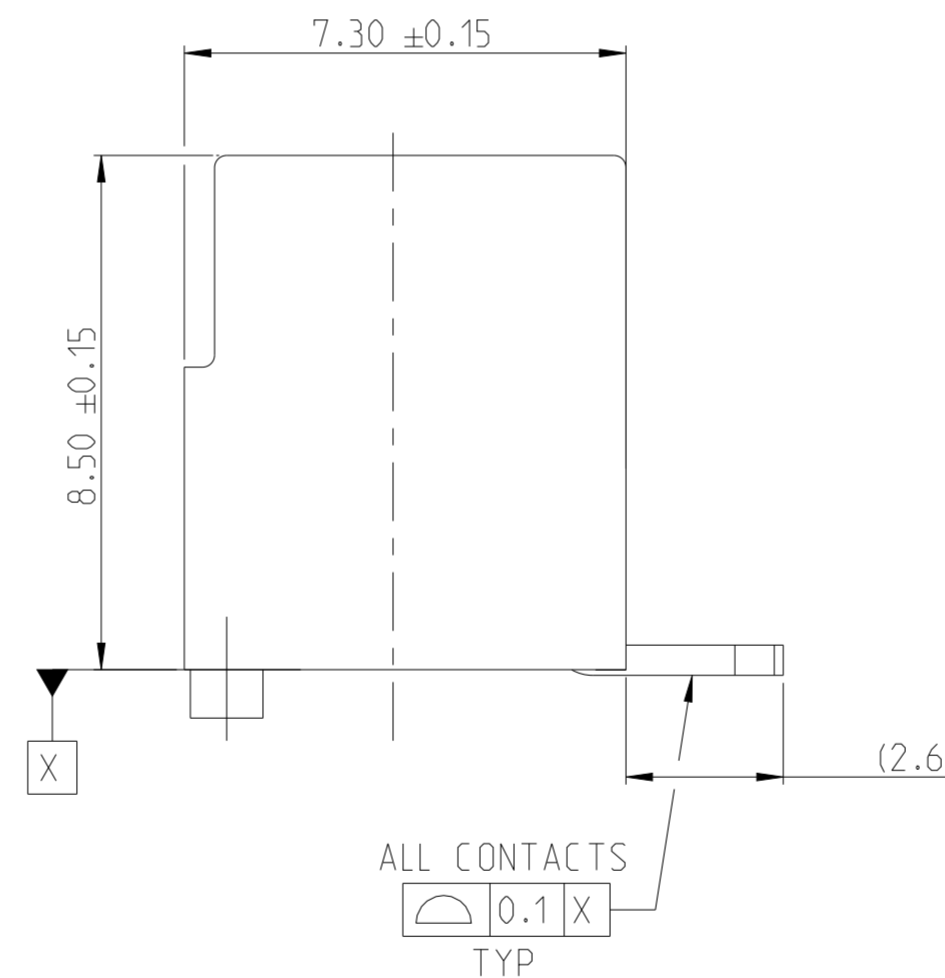
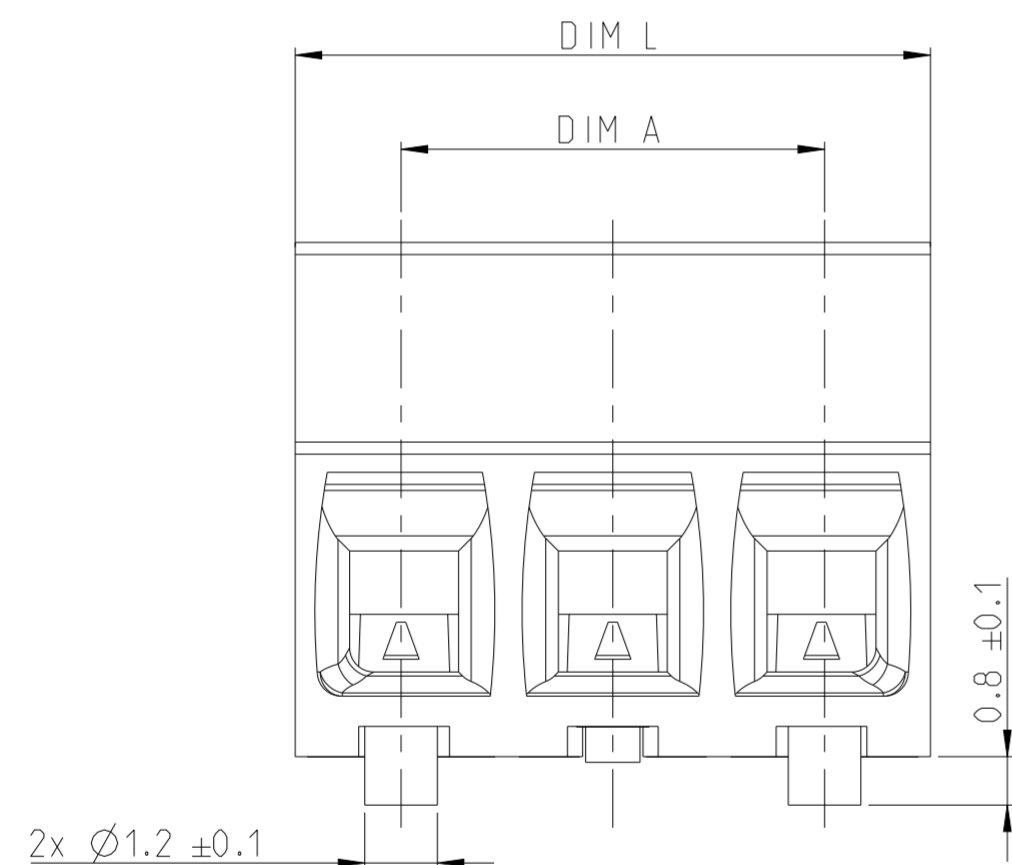
REVISIONS				
P	LTR	DESCRIPTION	DATE	APVD
1		PRELIMINARY	23DEC2020	DV PS
A		PRODUCTION RELEASE	28APR2021	SS PS
A1		NOTE 7 ADDED. NOTE 2 MODIFIED	23SEP2021	SS PS



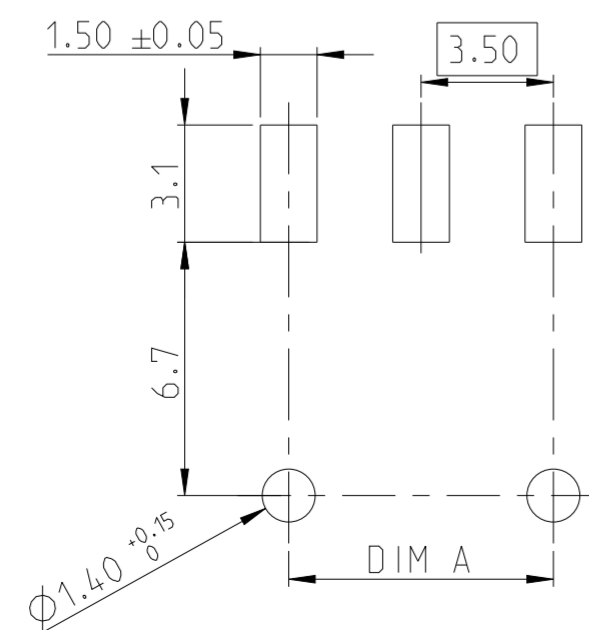
2383942-3 AS SHOWN

NOTES

- MATERIALS & FINISH**
 HOUSING : HIGH TEMPERATURE PA, UL94 V0, COLOR -BLACK
 SCREW M2 : COPPER ALLOY, NICKEL PLATED
 CLAMP : COPPER ALLOY, NICKEL PLATED
 CONTACT : COPPER ALLOY, NICKEL & TIN PLATED
- MECHANICAL**
 WIRE STRIPPING LENGTH : 5-6 mm
 RECOMMENDED/HIGHEST TIGHTENING TORQUE : 0.2/0.25 Nm.
- ELECTRICAL**
 WIRE RANGE : 16 - 28 AWG
 MAX. VOLTAGE : 300 V
 MAX CURRENT : 12 A
 CONTACT RESISTANCE : <15 m Ohm
 INSULATION RESISTANCE : >1000 M Ohm (500V DC)
- OPERATING TEMPERATURE RANGE:** -40 °C TO +105 °C
- NOT CUMULATIVE TOLERANCE.
- SCREW CLAMP WILL BE IN CLOSED CONDITION.
- PACKAGING SPEC: 107-160084



DIM A	DIM L	POSITION	TE PN
38.50	42.00	12	1-2383942-2
35.00	38.50	11	1-2383942-1
31.50	35.00	10	1-2383942-0
28.00	31.50	9	2383942-9
24.50	28.00	8	2383942-8
21.00	24.50	7	2383942-7
17.50	21.00	6	2383942-6
14.00	17.50	5	2383942-5
10.50	14.00	4	2383942-4
7.00	10.50	3	2383942-3
3.50	7.00	2	2383942-2



RECOMMENDED PCB LAYOUT

THIS DRAWING IS A CONTROLLED DOCUMENT.

DIMENSIONS: mm	TOLERANCES UNLESS OTHERWISE SPECIFIED:	DWN: 22DEC2020 DATTESH VERNEKAR	TE Connectivity
0 PLC ± 1 PLC ±0.3 2 PLC ±0.25 3 PLC ± 4 PLC ±	± ± ± ±	CHK: 24DEC2020 SUBHASREE SAHOO APVD: 24DEC2020 PRASHANTH S	
MATERIAL	FINISH	PRODUCT SPEC: 108-160231 APPLICATION SPEC: - WEIGHT: -	NAME: TERMINAL BLOCK, SMD MOUNT 180 DEGREE, 3.5 mm PITCH SIZE: A2 CAGE CODE: 00779 DRAWING NO: C-2383942 RESTRICTED TO:

RESTRICTED CUSTOMER SCALE 5:1 SHEET 1 OF 1 REV A1