

# Type 0AKL

## Electric Vehicle Auxiliary Fuses

0AKL Series

RoHS Compliant

### Description

General purpose fuse for EV/HEV

### Features

- Excellent DC performance
- Design refer to JASO D622:2006
- Full compliance with EU Directive 2011/65/EU and amending directive 2015/863

### Applications



EV or HEV application



### Electrical Characteristics

% of Ampere Rating (A)	Operating Time (Unit: s)	
	Min	Max
200%	1	300
300%	0.2	30
500%	0.1	10

### Physical Specifications

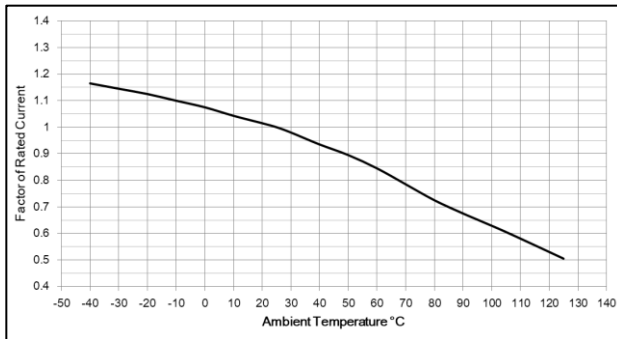
Materials	Body : Ceramic
	Terminals : Stud Mount, Center Terminal (Tin Plated Brass); Stud Mount, Bottom Terminal (Tin Plated Copper); Wave solder, 1-pin PCB mount (Silver Plated Brass); Wave solder, 2-pin PCB mount (Tin Plated Copper).
Marking	On Fuse :
	"bel", "0AKL",
	"Current Rating", "Voltage Rating"
	On Label :
	"bel", "0AKLX", "Current Rating", "Voltage Rating", "Interrupting Rating", "Appropriate Safety Logos" and "  ", "  " (China RoHS compliant).

### Ratings

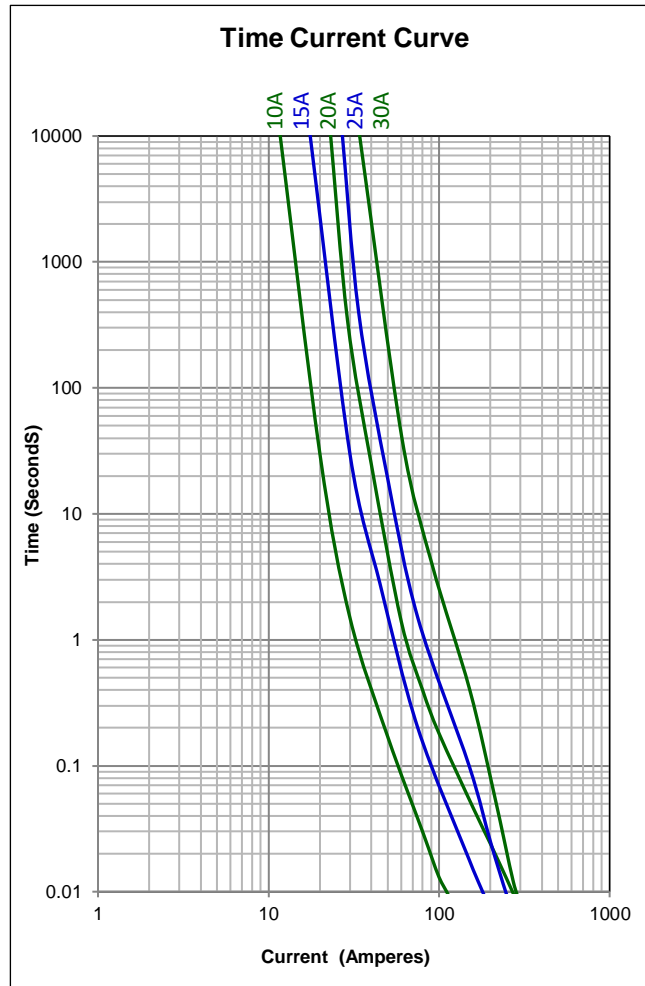
Ampere Rating / Voltage Rating	Ampere Range / Volt @ I.R. ability*
10A-30A / 1000V DC	10A-30A / 1000V @ 50kA DC
*I.R.= Interrupting Rating = Short Circuit Rating(Amps)	

## Temperature Re-Rating Curve

Operating Temperature: -40°C to +125°C,  
with proper rerating factor applied



## Average Time Current Curve



## Electrical Specifications

Part Number	Ampere Rating	Voltage and Interrupting Ratings	Typical cold resistance (mOhms)	Typical voltage drop (mV)		Typical pre-arcing I <sup>2</sup> t (A <sup>2</sup> sec)
				At 0.5I <sub>n</sub>	At 1.0I <sub>n</sub>	
0AKLx9100-xx	10A	See Table of Ratings on Page 1 for Voltage and associated Interrupting Ratings	12.5	60	130	120
0AKLx9150-xx	15A		7.2	60	140	405
0AKLx9200-xx	20A		5.2	80	154	1450
0AKLx9250-xx	25A		4.0	63	145	560
0AKLx9300-xx	30A		3.1	56	150	650

Consult manufacturer for other ratings

\*Temperature Rise: <=50K with 70% of rated current

\*\* Typical pre-arcing I<sup>2</sup>t measured at 10I<sub>n</sub>



Specifications subject to change without notice

Bel Fuse Inc.  
206 Van Vorst Street  
Jersey City, NJ 07302 USA

+1 201.432.0463  
Bel.US.CS@belf.com  
[belfuse.com/circuit-protection](http://belfuse.com/circuit-protection)

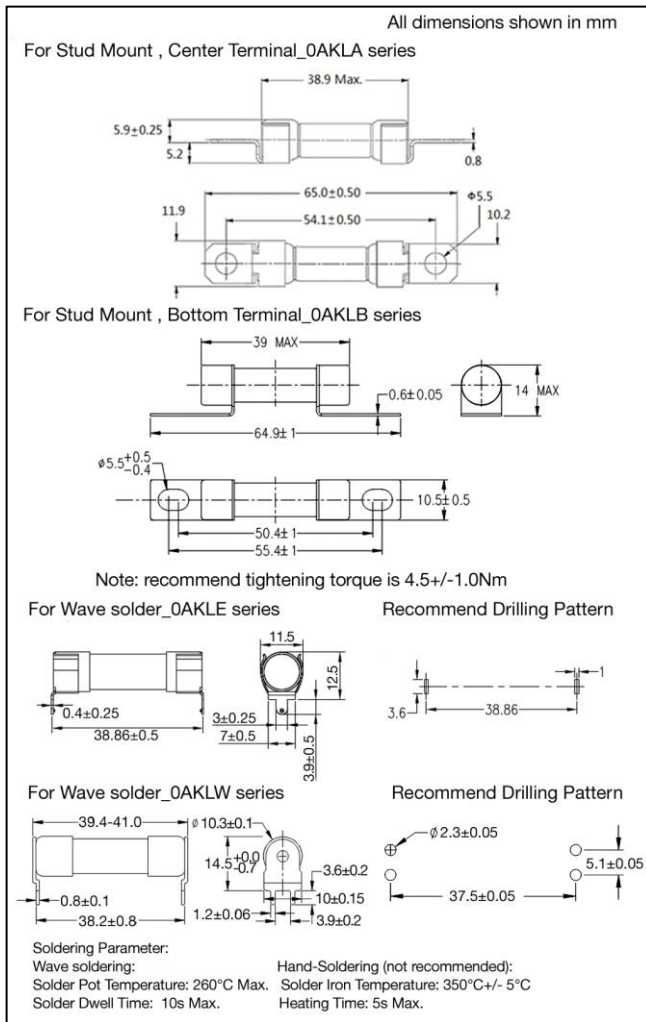
## Fuse FGNO Explanation

**OAKL X [XXXX] -XX**

**OAKLA/B/E/W=OAKLA/B/E/W; [XXXX]=Ampere Rating; XX=See Ordering Information as below**

Amps	Bel FGNO[XXXX]	Amps	Bel FGNO[XXXX]
10	9100	25	9250
15	9150	30	9300
20	9200		

## Mechanical Dimensions



## Ordering Information

**OAKL X XXXX - XX**

FUSE TYPE \_\_\_\_\_  
 OAKL

MOUNTING TAB STYLE \_\_\_\_\_  
 A = For Stud Mount, Center Terminal  
 B = For Stud Mount, Bottom Terminal  
 E = For Wave solder(1-pin PCB mount)  
 W = For Wave solder(2-pin PCB mount)

AMPERE RATING \_\_\_\_\_  
 Refer to fuse FGNO explanation table

PACKING/QUANTITY CODE \_\_\_\_\_  
 BE (for OAKLE, Wave solder, 1-pin PCB mount )  
 B = Bulk  
 E = 20pcs/inner box, 700pcs/carton box

BF (for OAKLA, Stud mount, center terminal )  
 B = Bulk  
 F = 20pcs/inner box, 1200pcs/carton box

PD (for OAKLB)  
 P = Plastic tray pack  
 D = 40pcs/tray, 400pcs/carton box

TBD for OAKLW Fuse

## Packaging

Packaging Option	Quantity	Packaging Code
Plastic tray ( For OAKLB)	40 pcs/plastic tray, 400pcs/ carton box	PD
BULK (For OAKLE)	20pcs / inner box, 700pcs (35 inner boxes) / carton box	BE
BULK (For OAKLA)	20pcs / inner box, 1200pcs (60 inner boxes) / carton box	BF
TBD for OAKLW	TBD	TBD



Specifications subject to change without notice

Bel Fuse Inc.  
 206 Van Vorst Street  
 Jersey City, NJ 07302 USA

+1 201.432.0463  
 Bel.US.CS@belf.com  
[belfuse.com/circuit-protection](http://belfuse.com/circuit-protection)