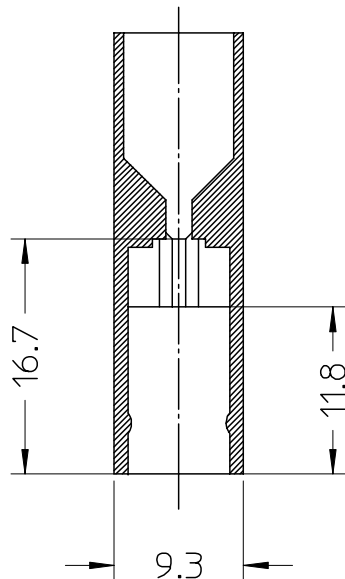
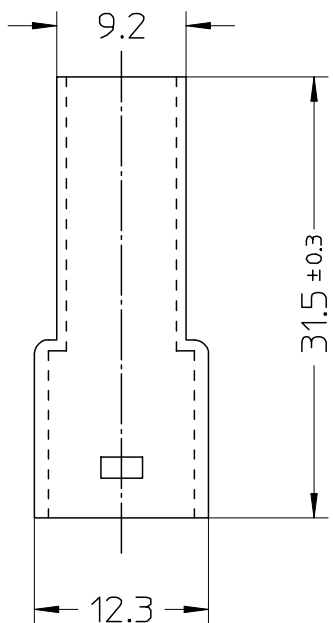


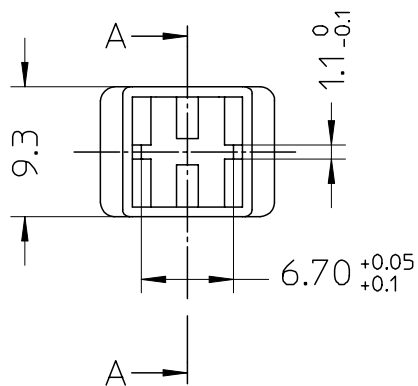
7 6 5 4 3 2 1

SECTION A-A



IMBALLO: 10.000 pz (SPQ), SCIOLTI IN SCATOLE DI CARTONE
 PACKAGING: 10.000 pcs (SPQ), LOOSE IN CARDBOARD BOXES

CARATTERISTICHE DI PRODOTTO SECONDO PS 94090-001
 PRODUCT CHARACTERISTICS ACCORDING TO PS 94090-001



CODICE / CODE	COLORE / COLOR	MATERIALE / MATERIAL
94090-4050	BIANCO / WHITE	PA 66 V2
94090-4051	NERO / BLACK	
94090-4052	ROSSO / RED	
94090-4054	BIANCO / WHITE	PA 66 FLAMMABILITY IEC 60335-1 REV.4 GWT 750 °C

STD DESCR: HSG FOR 6.3 M TERM

EC NO: Z2007-0046 TDRWN:FGOTTARD 2006/10/05 CHKDR:SANDANO 2006/10/05 APPR:GZUIN 2006/10/06	QUALITY SYMBOLS ▽=0 □=0	GENERAL TOLERANCES (UNLESS SPECIFIED)		DIMENSION STYLE	SCALE	DESIGN UNITS	FIRST ANGLE PROJECTION	
				MM ONLY	2:1	METRIC	☐	
				DRAWN BY	DATE	TITLE		
				AMONTIN	1998/01/23	PORTAMASCHIO A 1 VIA 1 CKT HOUSING FOR MALE TERMINAL		
		2 PLACES	± 0.1	CHECKED BY	DATE	MATERIAL NO.		
		3 PLACES	± ---	SSORATO	1998/01/23	DOCUMENT NO.		
		4 PLACES	± ---	APPROVED BY	DATE	SHEET NO.		
				RMARTUCC	1998/01/23	1 OF 1		
				ANGULAR ± 2 °				
		DRAFT WHERE APPLICABLE MUST REMAIN WITHIN DIMENSIONS		SEE CHART		SD-94090-003		
				THIS DRAWING CONTAINS INFORMATION THAT IS PROPRIETARY TO MOLEX INCORPORATED AND SHOULD NOT BE USED WITHOUT WRITTEN PERMISSION				

6 5 4 3 2 1