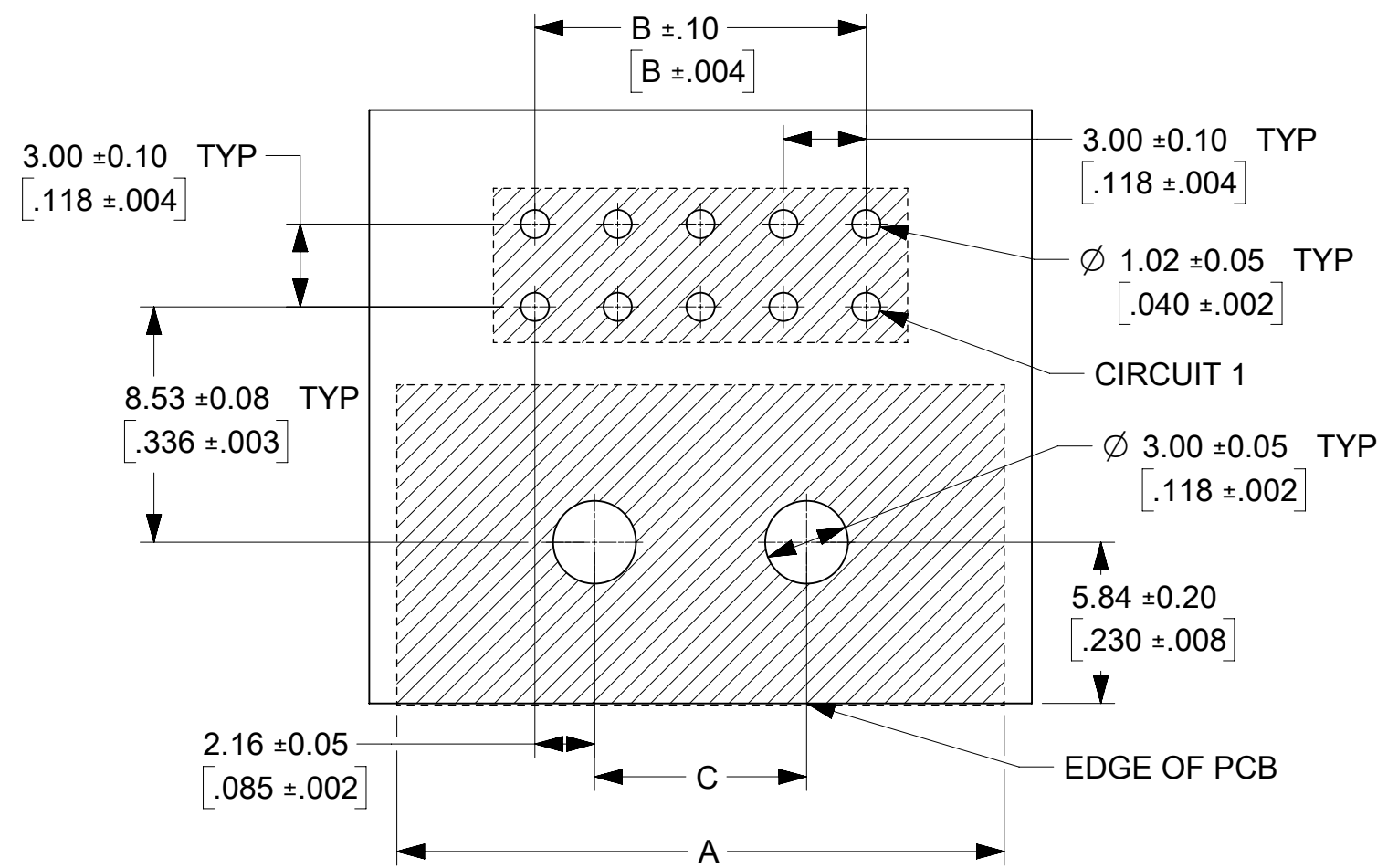
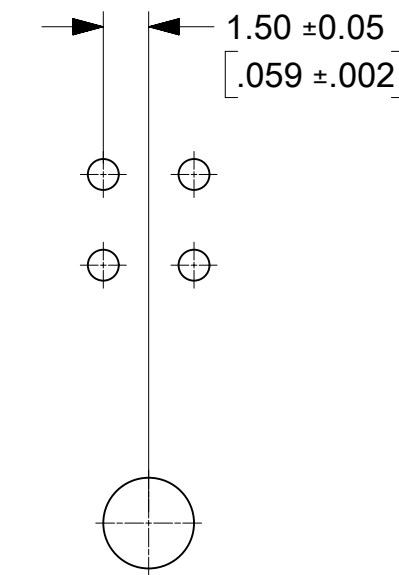


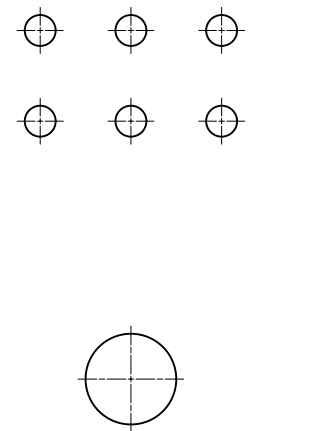
MAKE-FIRST/BREAK-LAST CIRCUIT TYPICAL (SEE SHEET 2 FOR CIRCUIT LOCATIONS)
SECTION Z-Z



8 THRU 24 CIRCUITS



PCB LAYOUT: COMPONENT SIDE
4 CIRCUIT ONLY



PCB LAYOUT: COMPONENT SIDE
6 CIRCUIT ONLY

- NOTES :
- MATERIALS -**
HOUSING : LCP, GLASS-FILLED, UL94V-0, COLOR - BLACK
TERMINAL : BRASS ALLOY
TERMINAL POSITIONING STRIP : HIGH TEMPERATURE PET LAMINATE
COLOR - NATURAL
 - FINISH -**
A - 0.00254/(.000100) MIN MATTE TIN OVER 0.00127/(.000050) MIN NICKEL.
B - 0.00038/(.000015) MIN. SELECT GOLD IN CONTACT AREA, 0.00254/(.000100) MIN. MATTE TIN ON SOLDER TAILS, BOTH OVER 0.00127/(.000050) MIN. NICKEL.
C - 0.00076/(.000030) SELECT GOLD IN CONTACT AREA, 0.00254/(.000100) MIN. MATTE TIN ON SOLDER TAILS, BOTH OVER 0.00127/(.000050) MIN. NICKEL.
 - PRODUCT SPECIFICATION : PS-44300-001**
EXCEPTION FOR CONTACT WIPE AS FOLLOWS:
MAKE-FIRST/BREAK-LAST TERMINAL = 0.71/(.028) GREATER THAN PS-44300-001
ALL OTHER TERMINALS = 0.56/(.022) LESS THAN PS-44300-001.
 - PACKAGING SPECIFICATION : PK-44428-001**
 - THIS ASSEMBLY MATES WITH MOLEX BMI PANEL MOUNT RECEPTACLE SERIES 44133**
WITH FEMALE CRIMP TERMINAL SERIES 43030 OR 46235, OR BMI RECEPTACLE HEADER SERIES 44764 (RIGHT ANGLE) AND 44769 (VERTICAL).
 - PART CONFORMS TO CLASS 'B' REQUIREMENTS OF COSMETIC SPECIFICATION PS-45499-002.**

THIS DRAWING CONTAINS INFORMATION THAT IS PROPRIETARY TO MOLEX ELECTRONIC TECHNOLOGIES, LLC AND SHOULD NOT BE USED WITHOUT WRITTEN PERMISSION										
FUNCTIONAL SYMBOLS	DIMENSION UNITS	SCALE	CURRENT REV DESC: FINISH OPTION "A" CHANGED TO 100UM INCH MATTE TIN; ADDED 44428-0841 AND -1233							
$F_A = 0$	MM/INCH	NTS	EC NO: 663296 DRWN: JEHRISMAN 2020/01/09 CHK'D: SSOUSEK 2021/05/13 APPR: FSMITH 2021/05/24							
$F_C = 0$	GENERAL TOLERANCES (UNLESS SPECIFIED)									
$F_P = 0$			INITIAL REVISION:							
DIVISIONAL SYMBOLS			DRWN: NNGUYEN 2013/01/10 APPR: FSMITH 2016/02/15							
4 PLACES	±	±	DRAFT WHERE APPLICABLE MUST REMAIN WITHIN DIMENSIONS							
3 PLACES	±	± 0.01								
2 PLACES	± 0.25	± 0.015	THIRD ANGLE PROJECTION		DRAWING		SERIES		MATERIAL NUMBER	
1 PLACE	± 0.38	±	C-SIZE		44428		SEE CHART		CUSTOMER	
0 PLACES	±	±	ANGULAR TOL ± 0.5°				GENERAL MARKET		SHEET NUMBER	
			SD-44428-008		PSD 000		B		1 OF 2	

molex

MICROFIT (3.0) BMI MAKE-FIRST/BREAK-LAST
DUAL ROW RIGHT ANGLE HEADER - LOW HALOGEN

PRODUCT CUSTOMER DRAWING

DOCUMENT NUMBER
SD-44428-008

DOC TYPE DOC PART REVISION

PSD 000 B

SEE CHART GENERAL MARKET 1 OF 2

				X = MAKE-FIRST / BREAK-LAST																										
MATERIAL NO.	CKTS	FINISH OPTION	RETENTION PEG OPTION	DIM A	DIM B	DIM C	CKT 1	CKT 2	CKT 3	CKT 4	CKT 5	CKT 6	CKT 7	CKT 8	CKT 9	CKT 10	CKT 11	CKT 12	CKT 13	CKT 14	CKT 15	CKT 16	CKT 17	CKT 18	CKT 19	CKT 20	CKT 21	CKT 22	CKT 23	CKT 24
	04																													
44428-0631	06	A	YES	16.00 .630	6.00 .236	N/A	X			X																				
44428-0640	06	B	YES	16.00 .630	6.00 .236	N/A				X		X																		
44428-0840	08	C	YES	19.00 .748	9.00 .354	4.68 .184	X				X																			
44428-0841	08	C	YES	19.00 .748	9.00 .354	4.68 .184	X							X																
44428-1031	10	A	YES	22.00 .866	12.00 .472	7.68 .302	X				X	X																		
44428-1038	10	B	YES	22.00 .866	12.00 .472	7.68 .302		X					X																	
44428-1039	10	B	YES	22.00 .866	12.00 .472	7.68 .302					X																			
44428-1041	10	C	YES	22.00 .866	12.00 .472	7.68 .302					X																			
44428-1042	10	A	YES	22.00 .866	12.00 .472	7.68 .302	X																							
44428-1043	10	C	YES	22.00 .866	12.00 .472	7.68 .302	X																			X				
44428-1231	12	A	YES	25.00 .984	15.00 .590	10.68 .420	X					X	X															X		
44428-1233	12	C	YES	25.00 .984	15.00 .590	10.68 .420	X							X																
44428-1237	12	A	YES	25.00 .984	15.00 .590	10.68 .420					X				X															
	14																													
44428-1631	16	A	YES	31.00 1.220	21.00 .827	16.68 .657	X	X				X	X										X	X						
44428-1636	16	C	NO	31.00 1.220	21.00 .827	16.68 .657	X		X	X		X	X	X	X	X	X	X	X	X			X							
44428-1837	18	A	YES	34.00 1.339	24.00 .945	19.68 .775	X	X	X	X	X	X	X	X	X															
	20																													
	22																													
	24																													

CKT 1	CKT 2	CKT 3	CKT 4	CKT 5	CKT 6	CKT 7	CKT 8	CKT 9	CKT 10	CKT 11	CKT 12	CKT 13	CKT 14	CKT 15	CKT 16	CKT 17	CKT 18	CKT 19	CKT 20	CKT 21	CKT 22	CKT 23	CKT 24
-------	-------	-------	-------	-------	-------	-------	-------	-------	--------	--------	--------	--------	--------	--------	--------	--------	--------	--------	--------	--------	--------	--------	--------

FUNCTIONAL SYMBOLS	THIS DRAWING CONTAINS INFORMATION THAT IS PROPRIETARY TO MOLEX ELECTRONIC TECHNOLOGIES, LLC AND SHOULD NOT BE USED WITHOUT WRITTEN PERMISSION													
	DIMENSION UNITS		SCALE		CURRENT REV DESC: FINISH OPTION "A" CHANGED TO 100QUINCH MATTE TIN; ADDED 44428-0841 AND -1233									
$F_A = 0$	MM/INCH		NTS		GENERAL TOLERANCES (UNLESS SPECIFIED)									
$F_C = 0$														
$F_P = 0$					EC NO: 663296 DRWN: JEHRISMAN 2020/01/09 CHK'D: SSOUSEK 2021/05/13 APPR: FSMITH 2021/05/24									
DIVISIONAL SYMBOLS														
				INITIAL REVISION: DRWN: NNGUYEN 2013/01/10 APPR: FSMITH 2016/02/15										
				THIRD ANGLE PROJECTION										
				DRAWING SERIES										
				MATERIAL NUMBER CUSTOMER SHEET NUMBER										
				DRAWING SERIES										
				MATERIAL NUMBER CUSTOMER SHEET NUMBER										



MICROFIT (3.0) BMI MAKE-FIRST/BREAK-LAST
DUAL ROW RIGHT ANGLE HEADER - LOW HALOGEN

PRODUCT CUSTOMER DRAWING

DOCUMENT NUMBER	DOC TYPE	DOC PART	REVISION
SD-44428-008	PSD	000	B