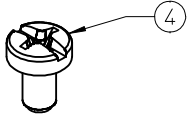
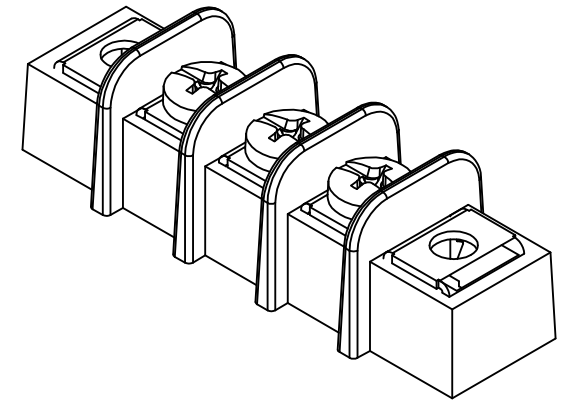
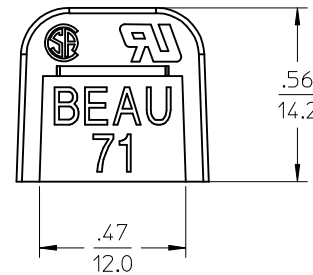
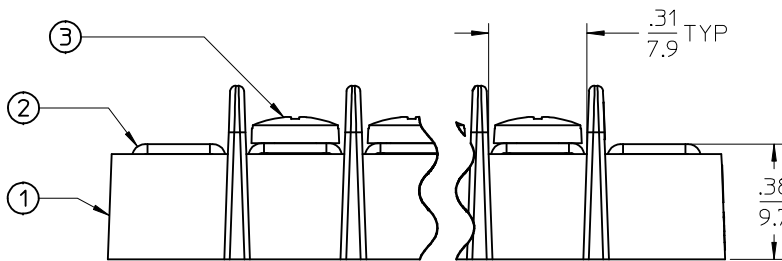
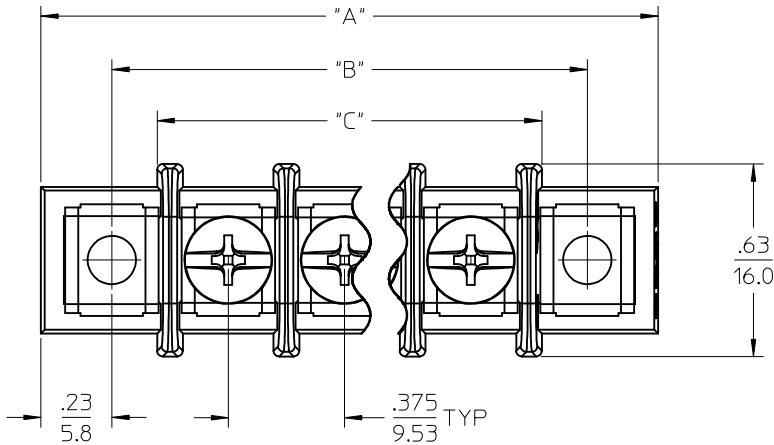
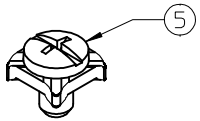


REF. -49 OPT. SCREW
(WHERE APPLICABLE)



REF. -50 OPT. SCREW
(WHERE APPLICABLE)



PART NUMBER LEGEND

71-1-XX-XX

SERIES

TERMINAL STYLE

CIRCUIT QTY (2 TO 26)

OPTION (-49 BRASS,PHIL/SLOT SCREW)

(-50 CLAMP WASHER,PHIL/SLOT SCREW)

NOTES:

1. MATERIAL: SEE TABLE.
2. FINISHES: SEE TABLE.
3. PRODUCT SPECIFICATION: PS-38710-001
4. "XX" REFERS TO NUMBER OF CIRCUITS.
5. ASSEMBLY IS RgHS COMPLIANT.

ITEM	QTY	DESCRIPTION	MATERIAL	FINISH
5	XX	#6-32 PH/SLOTTED SCREW W/WSHR (OPTION -50)	STEEL	ZINC
4	XX	#6-32 PH/SLOTTED SCREW (OPTION -49)	BRASS	NICKEL
3	XX	#6-32 PH/SLOTTED SCREW (STANDARD)	STEEL	ZINC
2	XX	MOUNTING PLATE	BRASS	NICKEL
1	1	INSULATOR	POLYESTER (PBT)	BLACK

RELEASED EC NO: ICG2016-0008 DRAWN: SVMURTHY 2015/06/30 CHKDR: RSTONE 2015/06/30 APPR: JFMURPHY 2016/07/11	QUALITY SYMBOLS
	▽/0
	▽/0
	▽/0
REV	DESCRIPTION
A	

GENERAL TOLERANCES (UNLESS SPECIFIED)	
mm	INCH
4 PLACES ± --- ± ---	
3 PLACES ± --- ± .005	
2 PLACES ± 0.13 ± .01	
1 PLACE ± 0.3 ± ---	
0 PLACE ± --- ± ---	
ANGULAR ± 2°	
DRAFT WHERE APPLICABLE	
MUST REMAIN WITHIN DIMENSIONS	

DIMENSION STYLE	
IN/MM	
DRAWN BY	DATE
SVMURTHY	2015/06/30
CHECKED BY	DATE
RSTONE	2015/06/30
APPROVED BY	DATE
JFMURPHY	2016/07/11
MATERIAL NO.	
SEE SHEET 2	
SIZE	
B	

SCALE	DESIGN UNITS	THIRD ANGLE PROJECTION
2:1	INCH	
TITLE		
9.53MM [.375"] SR BTS		
NO TERMINAL, MTG ENDS		
molex		
DOCUMENT NO.	SHEET NO.	
SD-38710-0202	1 OF 2	
THIS DRAWING CONTAINS INFORMATION THAT IS PROPRIETARY TO MOLEX INCORPORATED AND SHOULD NOT BE USED WITHOUT WRITTEN PERMISSION		

10 9 8 7 6 5 4 3 2 1

# OF CIRCUITS "X"	DIM "A"		DIM "B"		DIM "C"	
	IN	MM	IN	MM	IN	MM
2	1.58	40	1.13	29	.83	21
3	1.96	50	1.50	38	1.21	31
4	2.33	59	1.88	48	1.58	40
5	2.71	69	2.25	57	1.96	50
6	3.08	78	2.63	67	2.33	59
7	3.46	88	3.00	76	2.71	69
8	3.83	97	3.38	86	3.08	78
9	4.21	107	3.75	95	3.46	88
10	4.58	116	4.13	105	3.83	97
11	4.96	126	4.50	114	4.21	107
12	5.33	135	4.88	124	4.58	116
13	5.71	145	5.25	133	4.96	126
14	6.08	154	5.63	143	5.33	135
15	6.46	164	6.00	152	5.71	145
16	6.83	173	6.38	162	6.08	155
17	7.21	183	6.75	171	6.46	164
18	7.58	193	7.13	181	6.83	174
19	7.96	202	7.50	191	7.21	183
20	8.33	212	7.88	200	7.58	193
21	8.71	221	8.25	210	7.96	202
22	9.08	231	8.63	219	8.33	212
23	9.46	240	9.00	229	8.71	221
24	9.83	250	9.38	238	9.08	231
25	10.21	259	9.75	248	9.46	240
26	10.58	269	10.13	257	9.83	250

RELEASED EC NO: IFC2016-0008 DRAWN: SVMURTHY 2015/06/30 CHKD: RSTONE 2015/06/30 APPR: JFMURPHY 2016/07/11	DESCRIPTION REV A	QUALITY SYMBOLS	GENERAL TOLERANCES (UNLESS SPECIFIED)	DIMENSION STYLE	SCALE	DESIGN UNITS	THIRD ANGLE PROJECTION
		$\nabla F/0$ $\nabla E/0$ $\nabla D/0$	mm INCH 4 PLACES \pm --- \pm --- 3 PLACES \pm --- \pm .005 2 PLACES \pm 0.13 \pm .01 1 PLACE \pm 0.3 \pm --- 0 PLACE \pm --- \pm ---	IN/MM	2:1	INCH	TITLE 9.53MM [.375"] SR BTS NO TERMINAL, MTG ENDS
		ANGULAR \pm 2° DRAFT WHERE APPLICABLE MUST REMAIN WITHIN DIMENSIONS	DRAWN BY DATE SVMURTHY 2015/06/30 CHECKED BY DATE RSTONE 2015/06/30 APPROVED BY DATE JFMURPHY 2016/07/11	MATERIAL NO. 387100202	DOCUMENT NO. SD-38710-0202	SHEET NO. 2 OF 2	
		THIS DRAWING CONTAINS INFORMATION THAT IS PROPRIETARY TO MOLEX INCORPORATED AND SHOULD NOT BE USED WITHOUT WRITTEN PERMISSION					

9 8 7 6 5 4 3 2 1