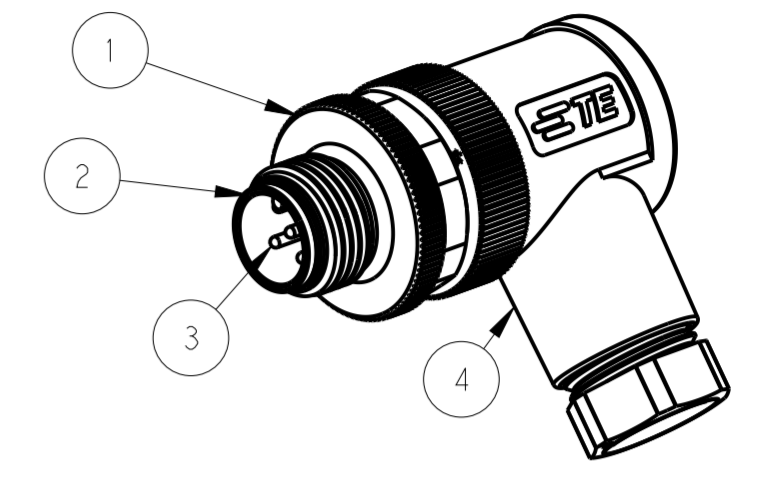
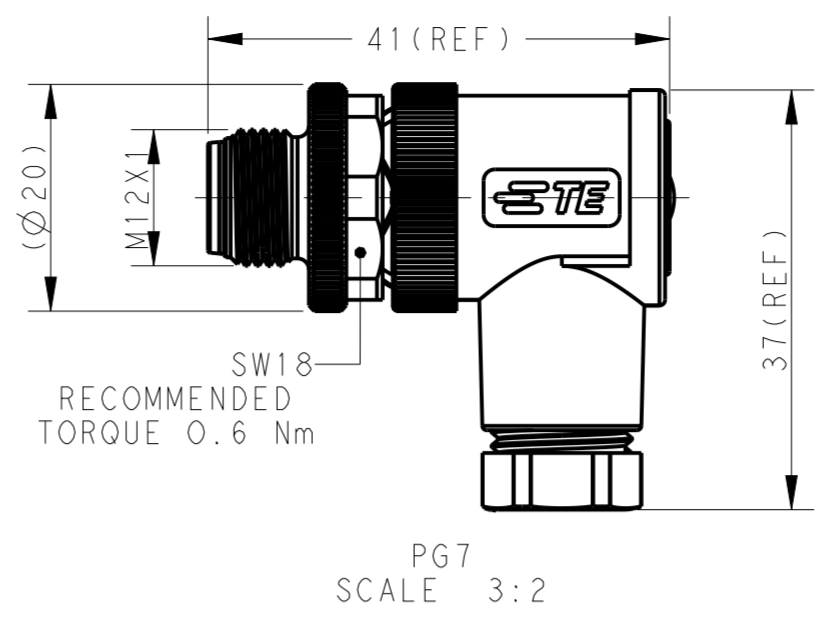
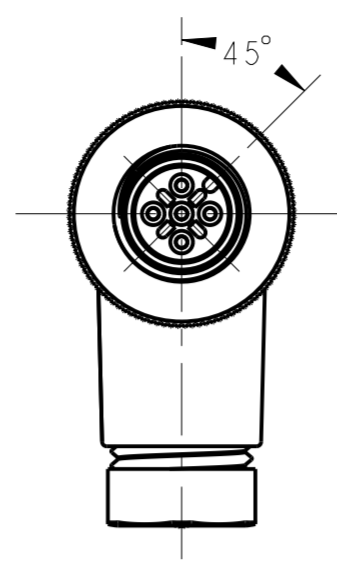
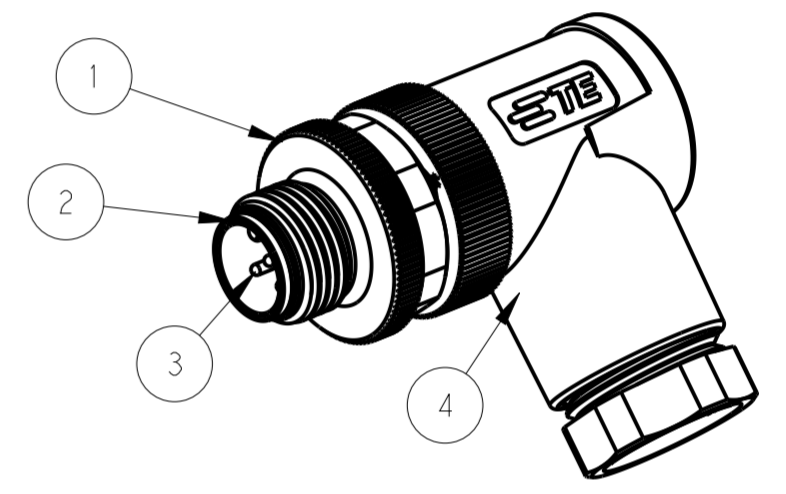
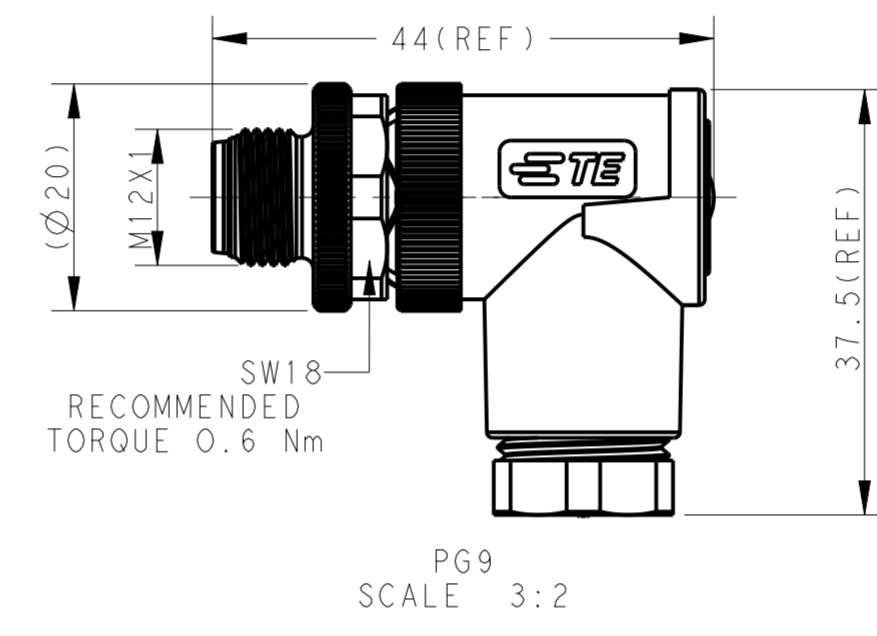
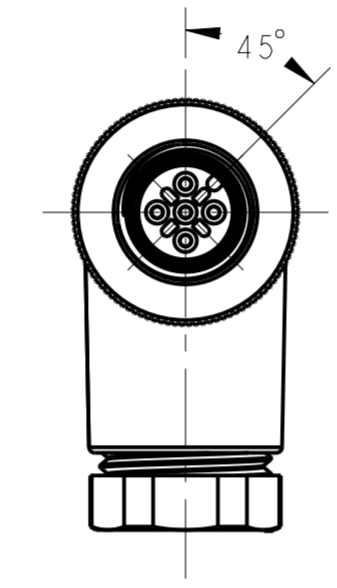


THIS DRAWING IS UNPUBLISHED. RELEASED FOR PUBLICATION 20
 © COPYRIGHT 20 BY - ALL RIGHTS RESERVED.

REVISIONS				
P	LTR	DESCRIPTION	DATE	APVD
A		INITIAL RELEASE	29JUL2015	N.P X.X
A1		ECR-15-012625 CORRECT TYPE	20AUG2015	N.P X.X
A2		ECR-15-018715 ADD 114 SPEC.	29DEC2015	NP XX
A3		ECR-20-012708 ADD MODEL PG9	22SEP2020	S.C C.W



PG7
SCALE 3:2



PG9
SCALE 3:2

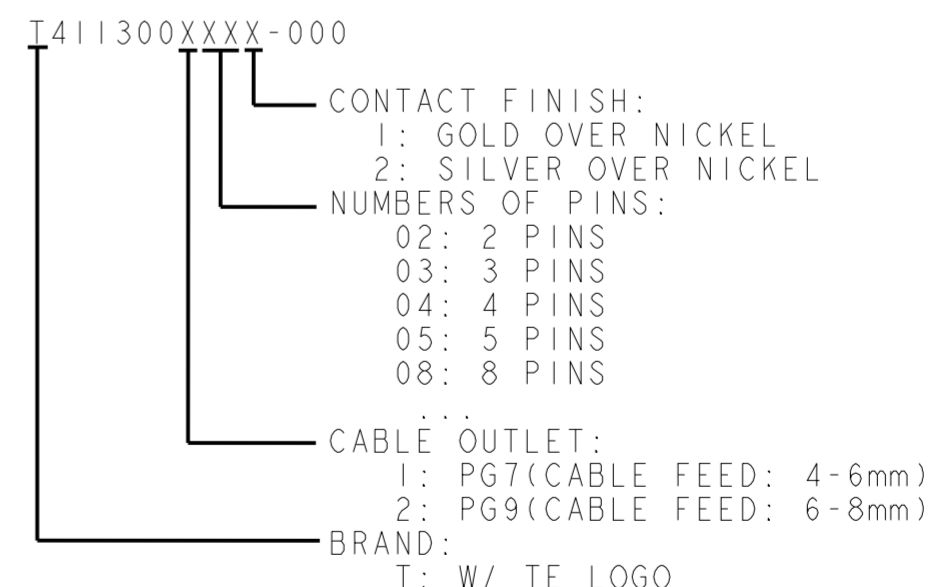
TECHNICAL DATA	T411300X02X-000	T411300X03X-000	T411300X04X-000	T411300X05X-000	T411300X08X-000
RATED VOLTAGE	250V	250V	250V	60V	30V
RATED CURRENT	4A	4A	4A	4A	2A
POLLUTION DEGREE	3	3	3	3	3
OVERVOLTAGE CATEGORY	II	II	II	II	II
MATERIAL GROUP	II	II	II	II	II
CONTACT RESISTANCE	≤8mΩ	≤8mΩ	≤8mΩ	≤8mΩ	≤8mΩ
INSULATION RESISTANCE	>100MΩ	>100MΩ	>100MΩ	>100MΩ	>100MΩ
DEGREE OF PROTECTION	IP67	IP67	IP67	IP67	IP67
OPERATION TEMPERATURE	-40~85°C	-40~85°C	-40~85°C	-40~85°C	-40~85°C

- NOTE:
- MATERIAL:
 - ITEM NO.1:NUT -BRASS
 - ITEM NO.2:HOUSING -PA
 - ITEM NO.3:CONTACT -BRASS
 - ITEM NO.4: HOUSING BODY: -PBT+GF
 - CONTACT FINISH: GOLD OVER NICKEL OR SILVER OVER NICKEL
 - CABLE WIRES:
 - 18AWG/0.75mm² Max. FOR 2-5 PINS
 - 20AWG/0.50mm² Max. FOR 8 PINS
 - ALLDIMENSIONS ARE FOR NOMINAL REFERENCE ONLY UNLESS OTHERWISE STATED
 - PACKAGEING: 1PIECE IN A BAG
 - PN INFORMATION

PIN ARRANGEMENT A-CODE

T411300X02X-000	T411300X03X-000	T411300X04X-000

T4113002081-000	RPC-M12-MR-8CON-PG9-MU
T4113002082-000	RPC-M12-MR-8CON-PG9-M
T4113001081-000	RPC-M12-MR-8CON-PG7-MU
T4113001082-000	RPC-M12-MR-8CON-PG7-M
T4113002051-000	RPC-M12-MR-5CON-PG9-MU
T4113001051-000	RPC-M12-MR-5CON-PG7-MU
T4113002052-000	RPC-M12-MR-5CON-PG9-M
T4113001052-000	RPC-M12-MR-5CON-PG7-M
T4113002041-000	RPC-M12-MR-4CON-PG9-MU
T4113001041-000	RPC-M12-MR-4CON-PG7-MU
T4113002042-000	RPC-M12-MR-4CON-PG9-M
T4113001042-000	RPC-M12-MR-4CON-PG7-M
T4113002031-000	RPC-M12-MR-3CON-PG9-MU
T4113001031-000	RPC-M12-MR-3CON-PG7-MU
T4113002032-000	RPC-M12-MR-3CON-PG9-M
T4113001032-000	RPC-M12-MR-3CON-PG7-M
T4113002021-000	RPC-M12-MR-2CON-PG9-MU
T4113001021-000	RPC-M12-MR-2CON-PG7-MU
T4113002022-000	RPC-M12-MR-2CON-PG9-M
T4113001022-000	RPC-M12-MR-2CON-PG7-M
TE PN	TYPE



THIS DRAWING IS A CONTROLLED DOCUMENT.		DWN HAO WANG 08DEC2014	TE Connectivity	
		CHK KOBBY ZHAO 08DEC2014		
		APVD XIANG XU 08DEC2014	NAME M12 MALE, A CODE, RA UNSHIELDED CONNECTOR SCREW TERMINAL	
DIMENSIONS: mm		TOLERANCES UNLESS OTHERWISE SPECIFIED:	PRODUCT SPEC 108-106140	
		0 PLC ±0.2	APPLICATION SPEC 114-137144	
		1 PLC ±0.2	WEIGHT -	
		2 PLC ±0.2	SIZE A2	
		3 PLC ±	CAGE CODE -	
		4 PLC ±	DRAWING NO. C-T411300XXXX000	
		ANGLES ±2	RESTRICTED TO -	
		FINISH -	SCALE 2:1	
			SHEET 1 OF 2	
			REV A3	
			Customer Drawing	

4

3

2

1

THIS DRAWING IS UNPUBLISHED.	RELEASED FOR PUBLICATION
© COPYRIGHT	ALL RIGHTS RESERVED.

REVISIONS				
P	LTR	DESCRIPTION	DATE	APVD

D

D

C



C

B

B

A

A

THIS DRAWING IS A CONTROLLED DOCUMENT.		DWN	 TE Connectivity		
DIMENSIONS:		CHK			
	TOLERANCES UNLESS OTHERWISE SPECIFIED:	APVD	NAME		
	0 PLC ±	PRODUCT SPEC			
	1 PLC ±	APPLICATION SPEC	SIZE	CAGE CODE	DRAWING NO
	2 PLC ±	MATERIAL	A2	G-	RESTRICTED TO
	3 PLC ±	FINISH	WEIGHT	SCALE	SHEET OF
4 PLC ±				REV	
ANGLES ±					