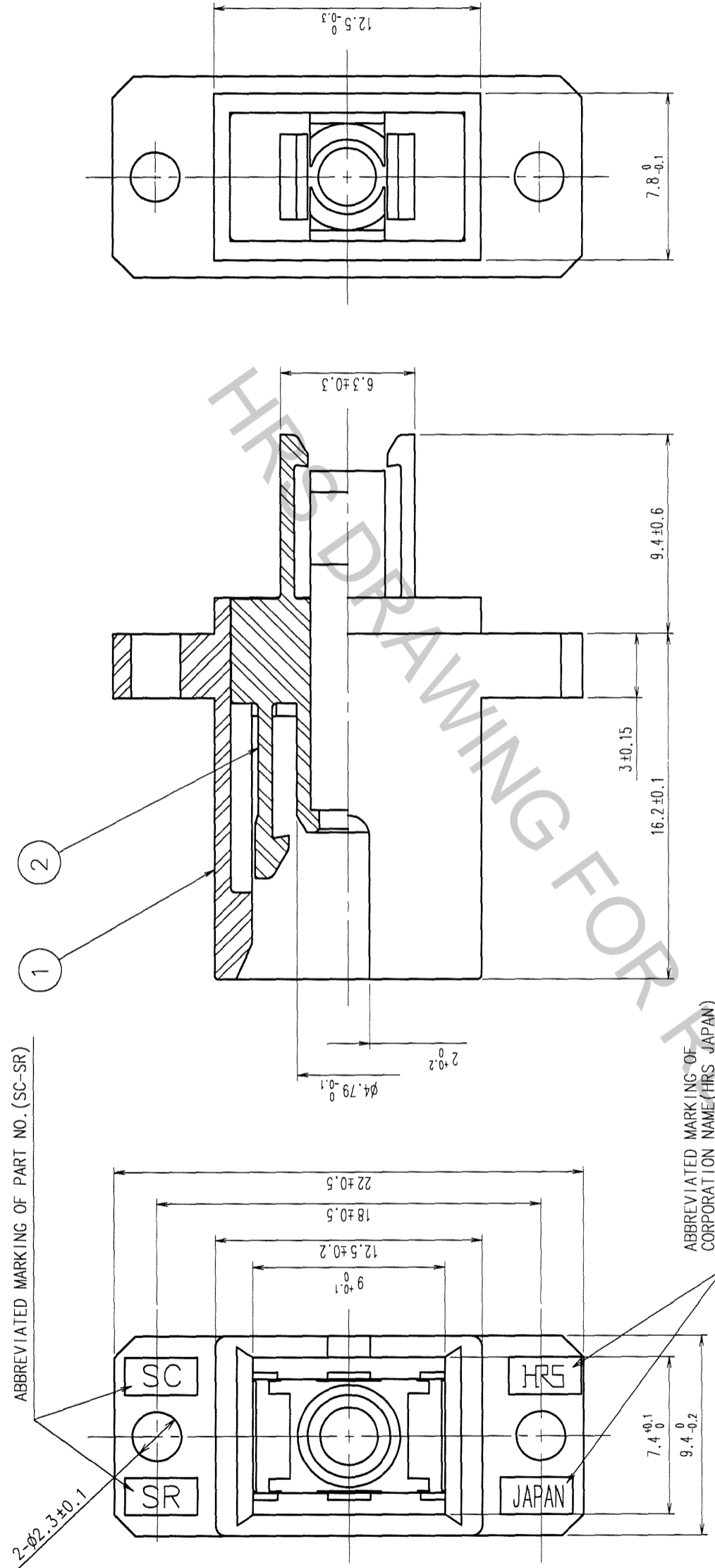


COUNT	DESCRIPTION OF REVISIONS	BY	CHKD	DATE	COUNT	DESCRIPTION OF REVISIONS	BY	CHKD	DATE
1	DIS-K-000070	Y.SAITO	M.I.	05.07.26					

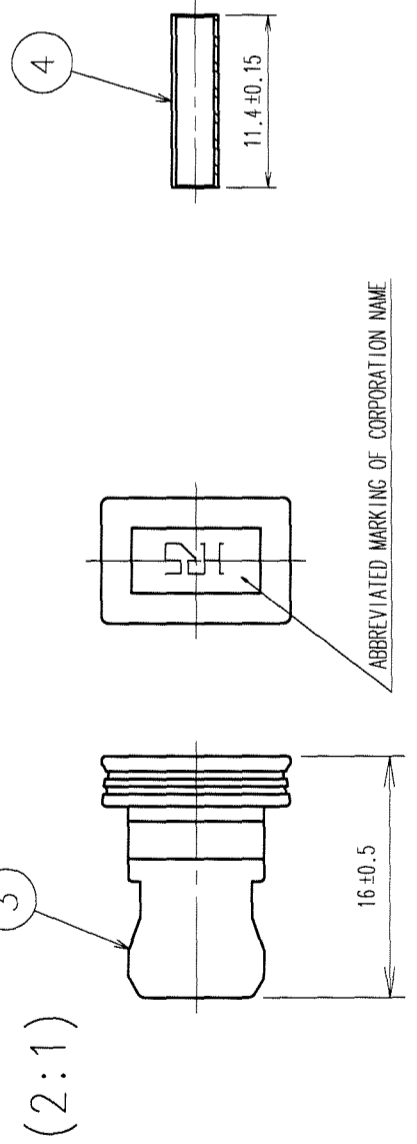


ABBREVIATED MARKING OF CORPORATION NAME (HRS JAPAN)

NOTE A PRODUCT CORRESPONDING TO ROHS.

NO.	SYNTHETIC RESIN	FINISH, REMARKS	NO.	MATERIAL	DESIGNED	CHECKED	APPROVED	RELEASED
2	SYNTHETIC RESIN BROWN		4	COPPER ALLOY				
1	SYNTHETIC RESIN BLUE		3	SYNTHETIC RESIN BLACK				
					DRAWN			
					T. ITO	M. INOUE	M. TAKAHASHI	
					03.07.28	03.07.28	03.07.29	03.07.29

	DRAWING NO.	EDC3-172281-51	PART NO.	HSC-SR-2(51)
SCALE	4 : 1		CODE NO.	CL704-0291-8-51
UNITS	mm			



ABBREVIATED MARKING OF CORPORATION NAME

TO