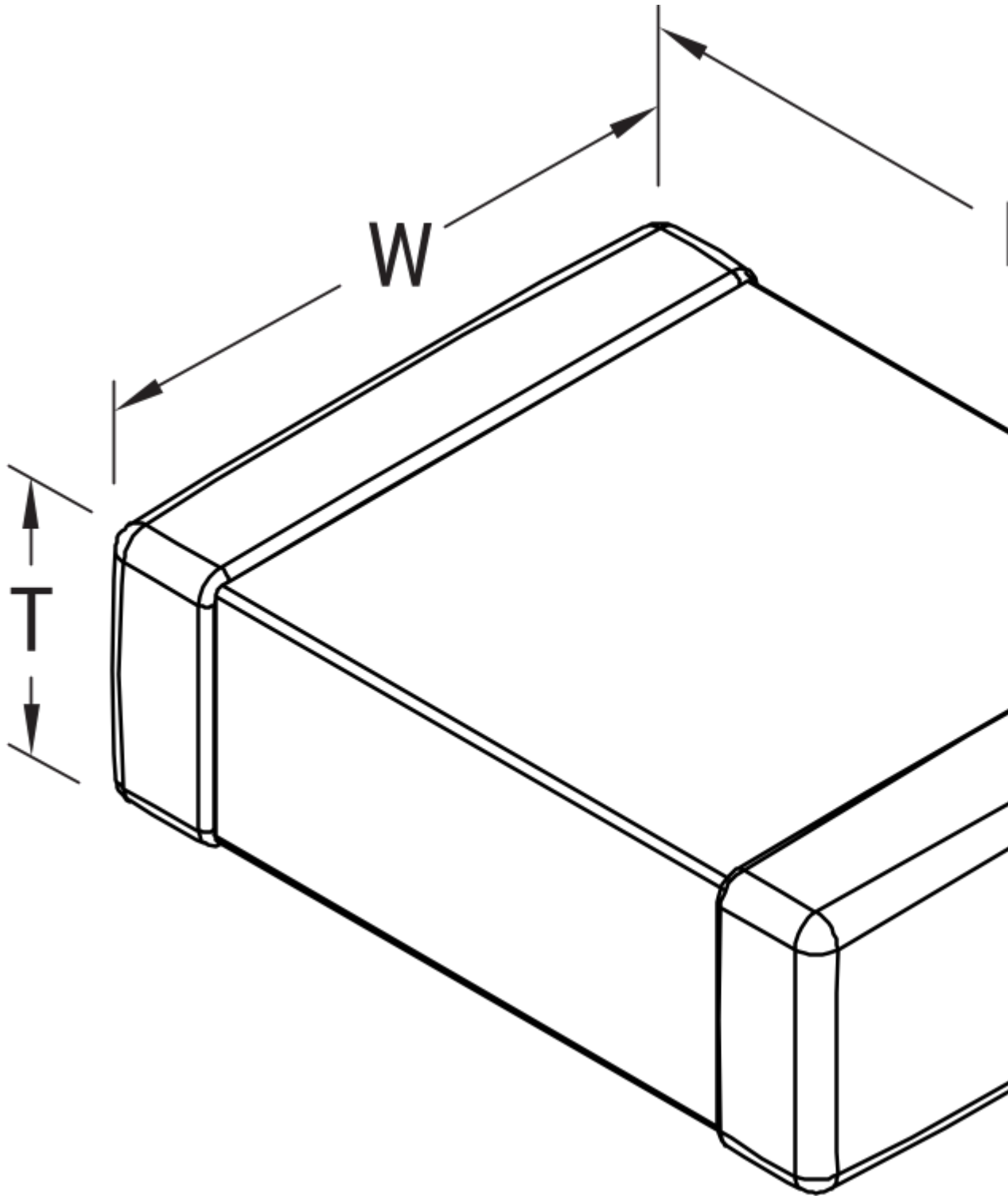


C1206C685M8RAC7210

SMD Comm X7R, Ceramic, 6.8 μ F, 20%, 10 VDC, X7R, SMD, MLCC, Temperature Stable, Class II, 1206



Click [here](#) for the 3D model.

Dimensions

Chip Size 1206

L	3.2mm +/-0.2mm
W	1.6mm +/-0.2mm
T	1.6mm +/-0.20mm
B	0.5mm +/-0.25mm

Packaging Specifications

Packaging T&R, 330mm, Plastic Tape
Packaging Quantity 8000

General Information

Series SMD Comm X7R
Style SMD Chip
Description SMD, MLCC, Temperature Stable, Class II
Features Temperature Stable, Class II
RoHS Yes
Termination Tin
Marking No
AEC-Q200 No
Component Weight 41 mg
Shelf Life 78 Weeks
MSL 1

Specifications

Capacitance 6.8 uF
Measurement Condition 1 kHz 1.0Vrms
Capacitance Tolerance 20%
Voltage DC 10 VDC
Dielectric Withstanding Voltage 25 VDC
Temperature Range -55/+125°C
Temperature Coefficient X7R
Capacitance Change with Reference to +25°C and 0 VDC Applied (TCC) 15%, 1kHz 1.0Vrms
Dissipation Factor 5% 1 kHz 1.0Vrms
Aging Rate 3% Loss/Decade Hour: Referee Time is 1000 Hours
Insulation Resistance 14.7 MOhms

Statements of suitability for certain applications are based on our knowledge of typical operating conditions for such applications, but are not intended to constitute - and we specifically disclaim - any warranty concerning suitability for a specific customer application or use. This Information is intended for use only by customers who have the requisite experience and capability to determine the correct products for their application. Any technical advice inferred from this Information or otherwise provided by us with reference to the use of our products is given gratis, and we assume no obligation or liability for the advice given or results obtained.

Generated 5/18/2023 - df3b9e32-b636-4c29-9fbd-8ee88943b093

© 2006 - 2023 KEMET

Generated 5/18/2023 - df3b9e32-b636-4c29-9fbd-8ee88943b093

© 2006 - 2023 KEMET