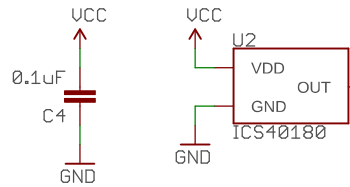


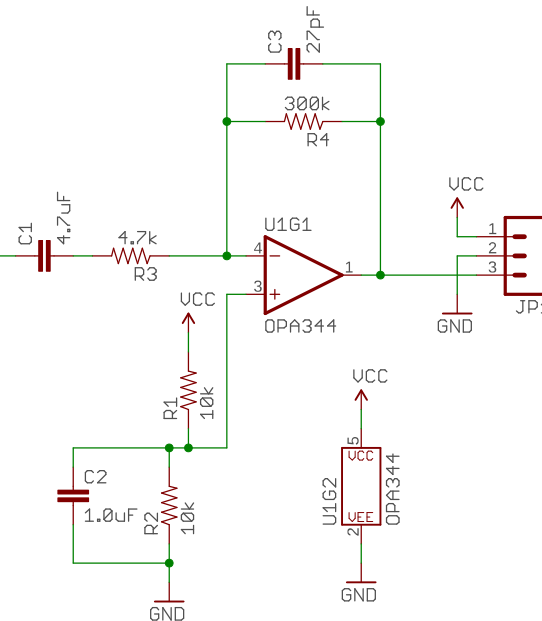
MEMS Microphone

UCC RANGE:
1.5-3.6V



Gainstage

GAIN: *64
Frequency Response: 7.2Hz-19.7KHz
Bias: 1/2*UCC



Released under the Creative Commons
Attribution Share-Alike 4.0 License
<https://creativecommons.org/licenses/by-sa/4.0/>

TITLE: SparkFun_Analog_MEMS_Microphone_Breakout_ICS40180

Design by: Pete Lewis

REV:
v10

Date: 4/13/2021 1:16 PM

Sheet: 1/1