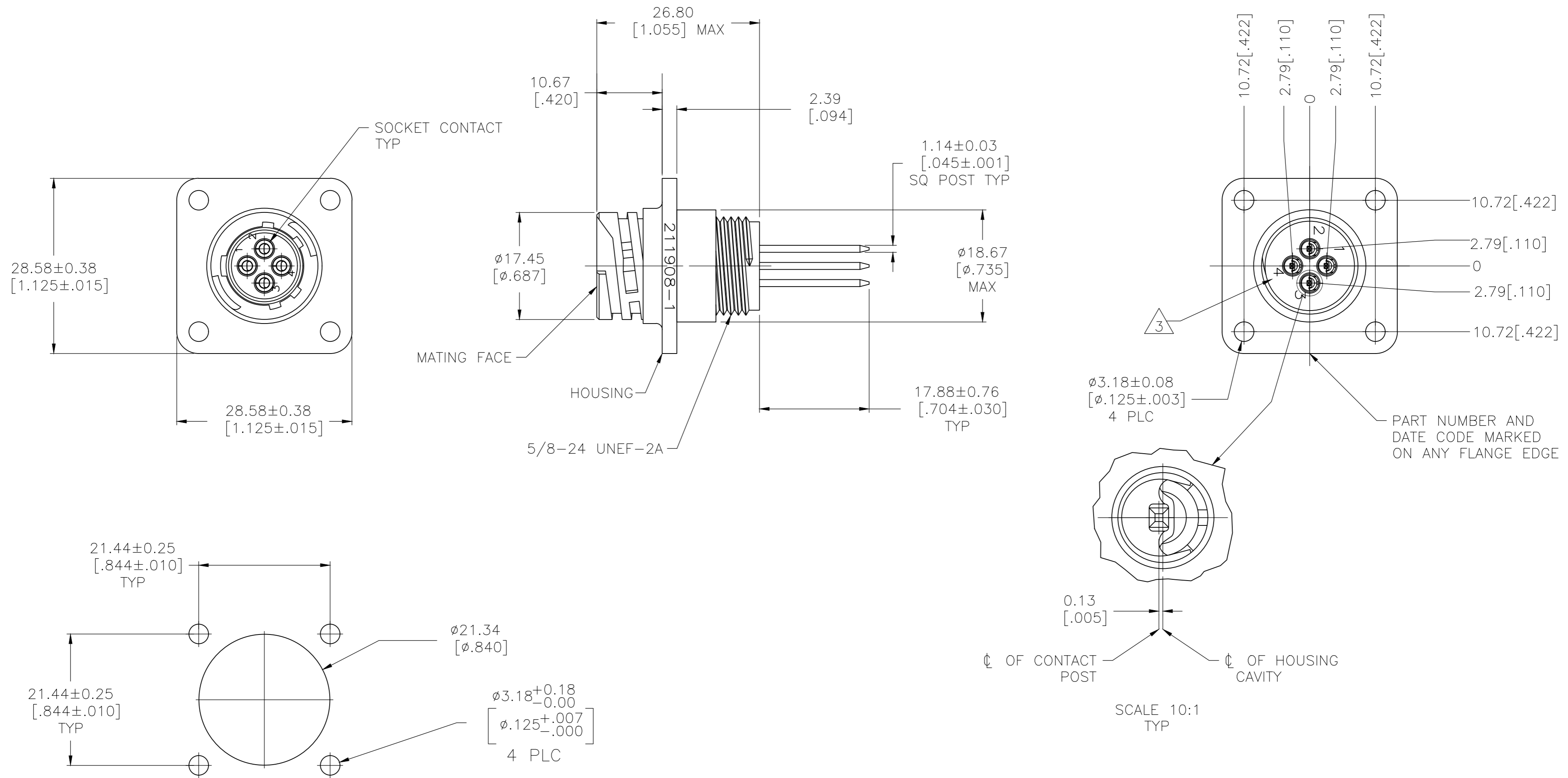
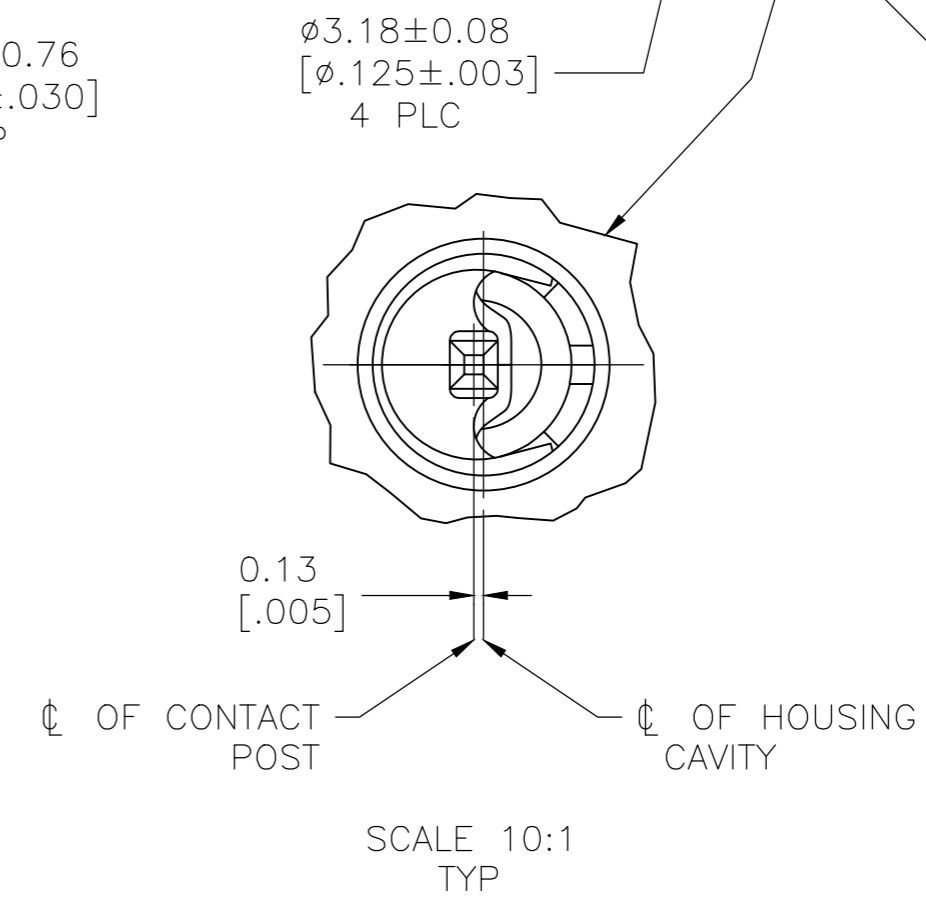


REVISIONS					
P	LTR	DESCRIPTION	DATE	DWN	APVD
C		REVISED PER ECO-20-008708	16JUL2020	RK	MZ



RECOMMENDED PANEL CUTOUT

- 1 HOUSING: POLYESTER, GRAY.
SOCKET CONTACT & POST: BRASS.
SPRING: STAINLESS STEEL.
- 2 SOCKET CONTACT & POST: 2.54 μ m[.000100] MIN TIN-LEAD OVER 1.27 μ m[.000050] MIN NICKEL.
- 3 CAVITY IDENTIFICATION ON FRONT AND REAR FACE.
- 4 RECOMMENDED PC BOARD HOLE SIZE FOR CONTACT POST = 1.80 ± .10 (.071 ± .004) DIA.
- 5 SOCKET CONTACT & POST: 2.54 μ m[.000100] MIN TIN OVER 1.27 μ m[.000050] MIN NICKEL.



5	1-788130-1
2	788130-1
CONTACT FINISH	PART NUMBER

THIS DRAWING IS A CONTROLLED DOCUMENT.		DWN	D.HARDY	16 MAY 97		TE Connectivity		
DIMENSIONS:		CHK	R.STONE	19 MAY 97		RECEPTACLE ASSEMBLY, POSTED, 11-4, REVERSE SEX, CIRCULAR PLASTIC CONNECTOR		
mm [INCHES]		APVD	K.DOWHWOWER	19 MAY 97		NAME		
TOLERANCES UNLESS OTHERWISE SPECIFIED:		PRODUCT SPEC		108-10024		SIZE		
0 PLC ± -		APPLICATION SPEC		114-10038		CAGE CODE		
1 PLC ± -		WEIGHT		-		DRAWING NO		
2 PLC ± 0.13 [.005]		MATERIAL		1		SCALE		
3 PLC ± -		FINISH		-		SHEET		
4 PLC ± -		CUSTOMER DRAWING		A2		1 OF 1		
4 PLC ANGLES ± -		SCALE		2:1		REV		
5 PLC ± -		SHEET		1 OF 1		C		