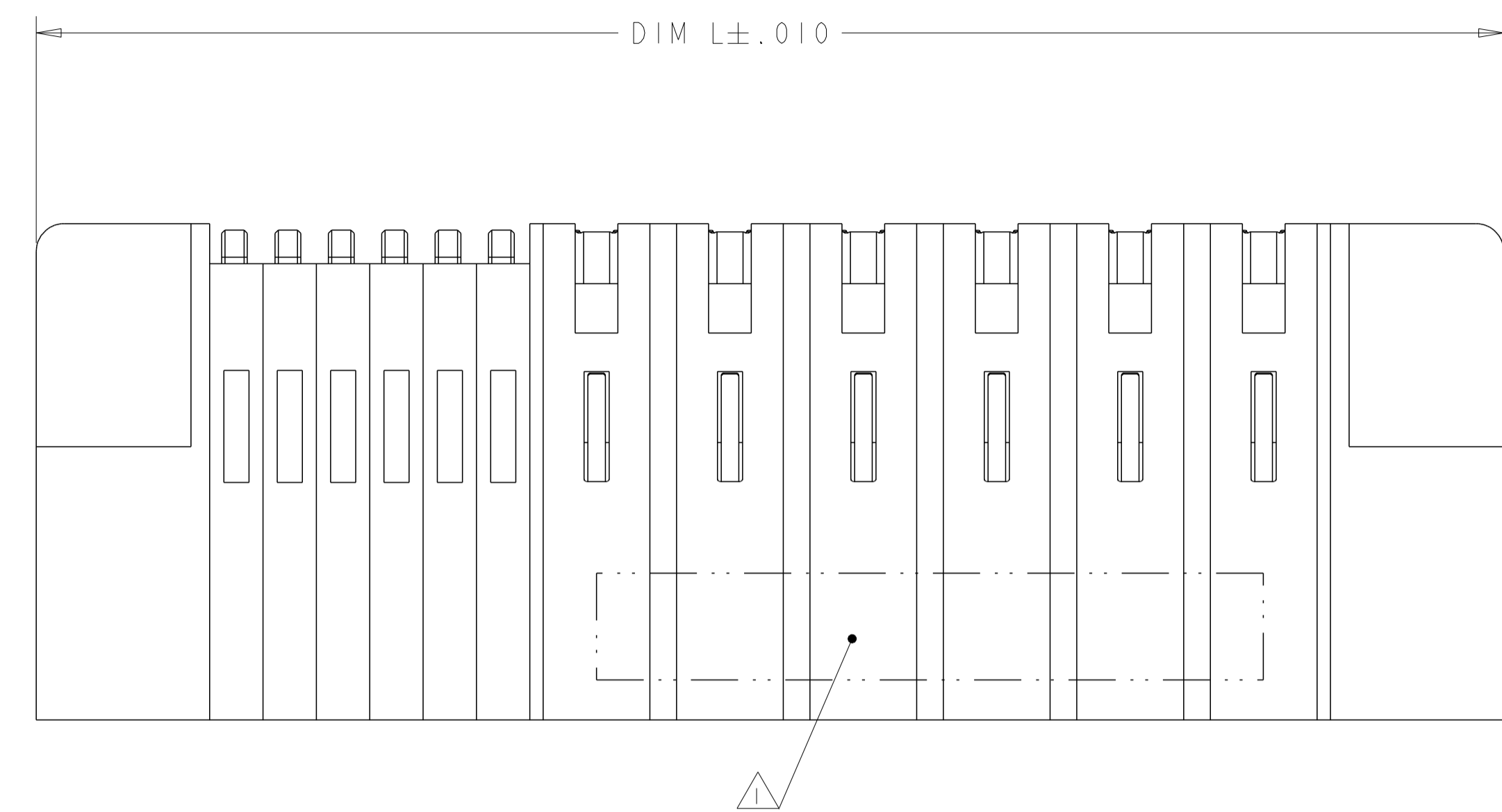
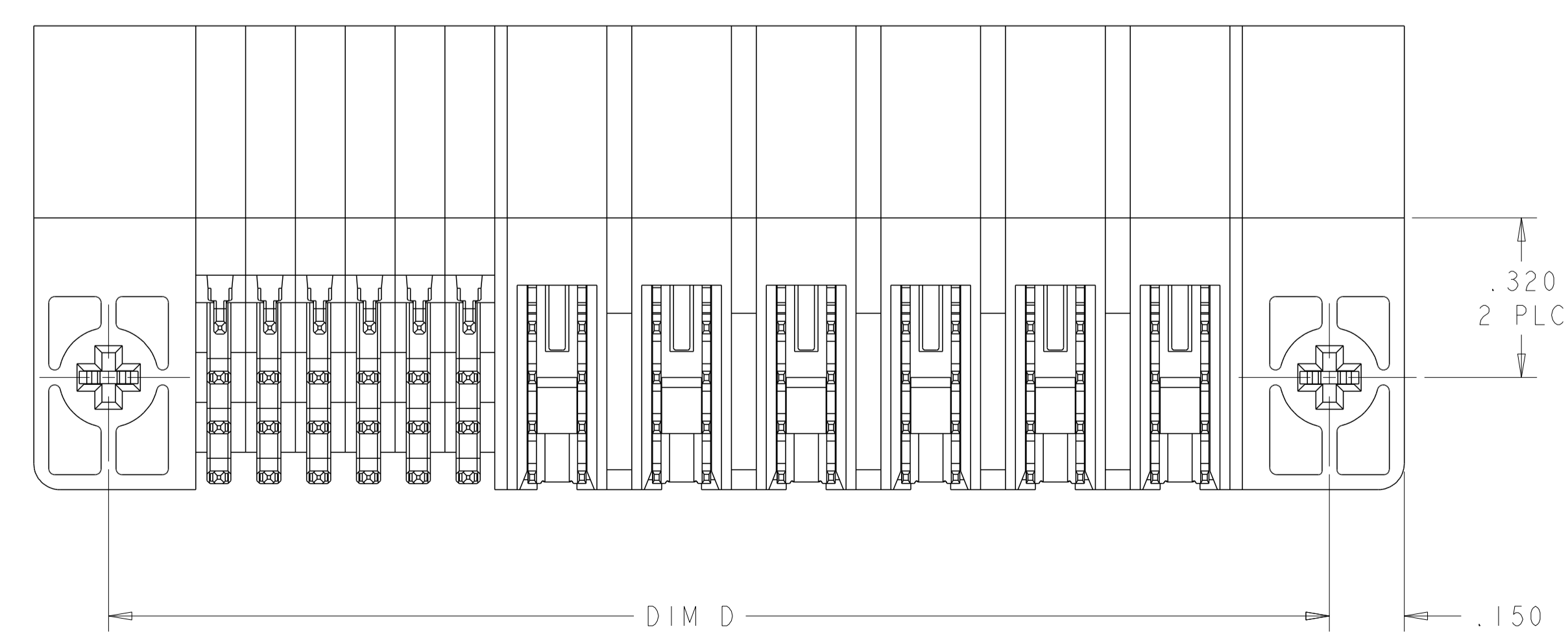
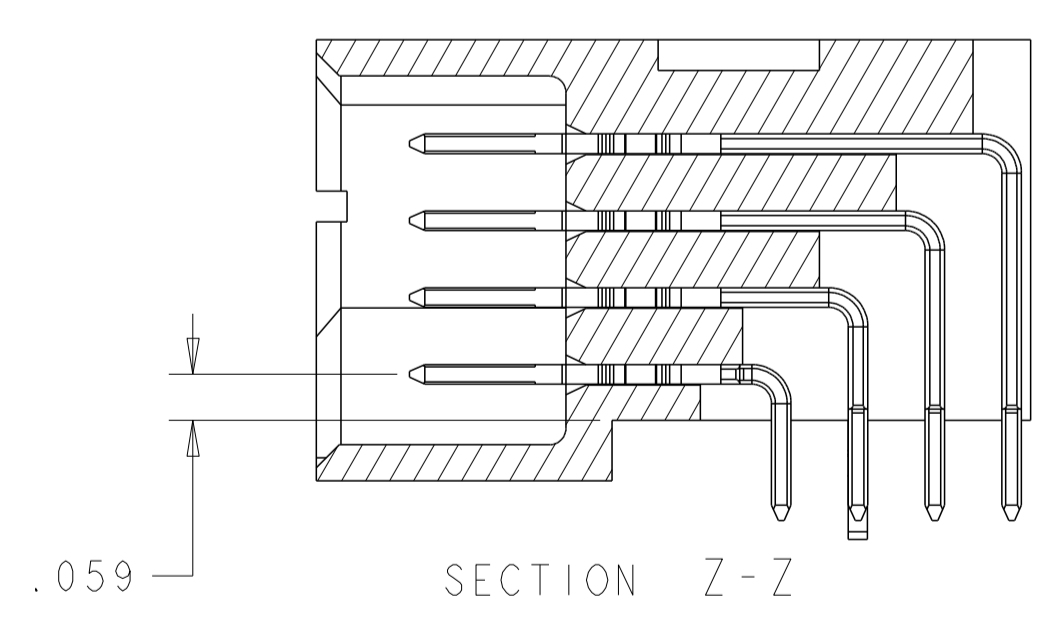
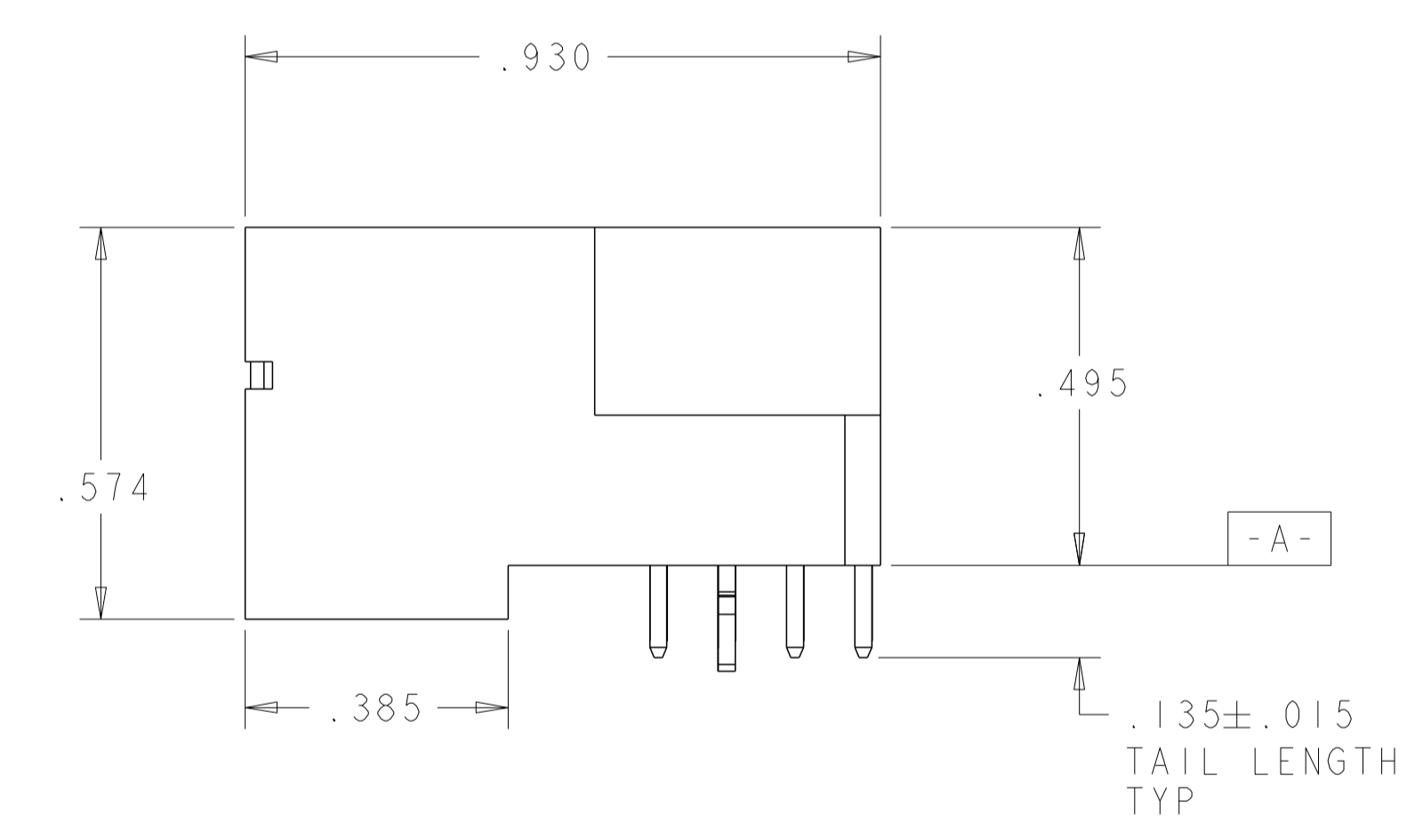
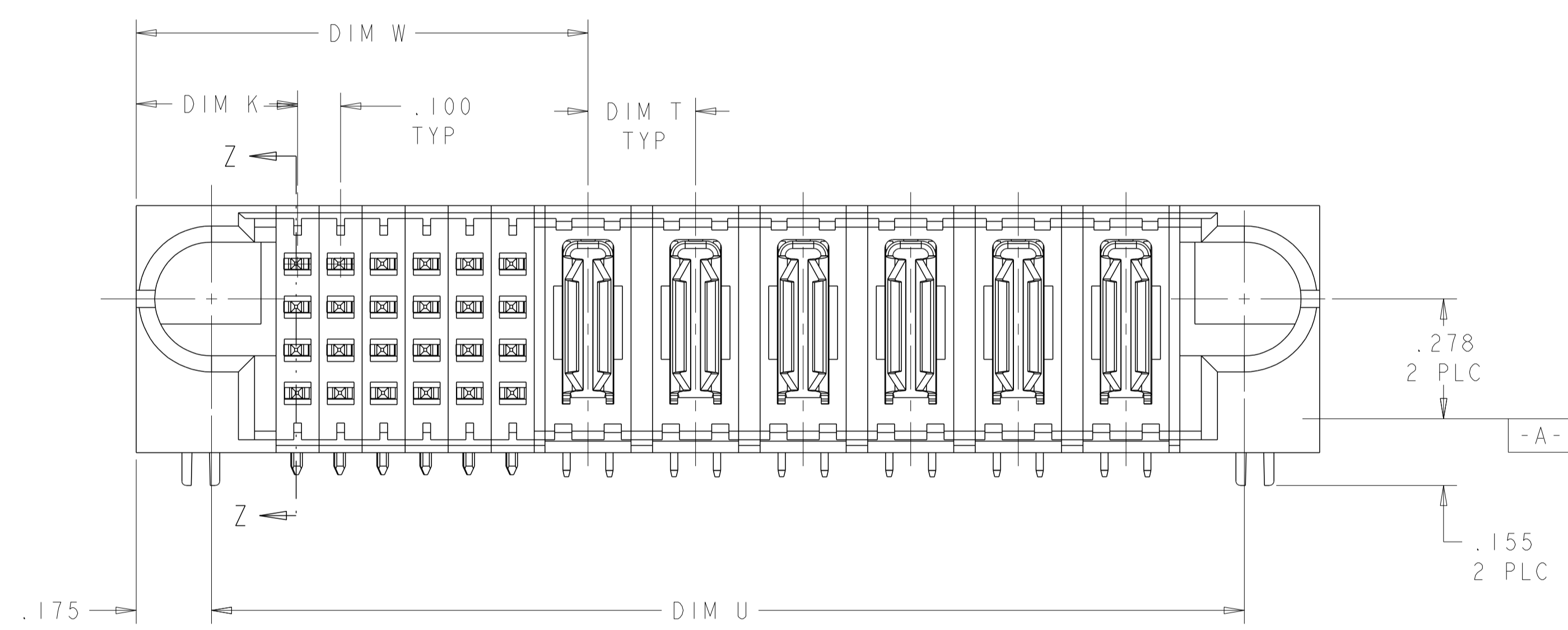


LOC	DIST	REVISIONS					
GP	00	P	LTR	DESCRIPTION	DATE	DWN	APVD
		D		REV PER ECR-12-003619	27FEB2012	CZ	SZ
		D1		ADDED NEW DASH NUMBER 1-1	04DEC2017	CZ	SZ



- 1 PART NUMBER, AND DATE CODE MARKED IN AREA SHOWN.
- 2 MATERIAL:
 HOUSING - GLASS FILLED HIGH TEMP THERMO PLASTIC, UL94 V-0
 SIGNAL CONTACT - COPPER ALLOY
 POWER CONTACT - HIGH CONDUCTIVITY COPPER ALLOY
- 3 CONTACT PLATING: NOBLE METAL PLATING ON CONTACT FUNCTIONAL AREA OF POWER AND SIGNAL CONTACTS.
- 4 MECHANICAL CONNECTOR KEEP OUT ZONE.
- 5 DATUM AND BASIC DIMENSIONS ESTABLISHED BY CUSTOMER.
- 6 PCB - ALL HOLE DIAMETERS ARE FINISHED HOLE SIZES.
- 7 PCB - .0453±.0010 DRILLED HOLES PLATED WITH .0003 MIN Sn OVER .001 TO .003 Cu PLATING TO ACHIEVE A .040 HOLE.
- 8 VARIABLE DIMENSION, SEE VIEW ON SHEET 4



THIS DRAWING IS A CONTROLLED DOCUMENT. DWN R. GBZYBOWSKI 13JUN05
 CHN M. PERCHERKE 13JUN05

STE TE Connectivity

NAME: RIGHT ANGLE HEADER ASSEMBLY W/GUIDES DUAL BEAM XL

PRODUCT SPEC: 108-1973
 APPLICATION SPEC: 114-13038
 WEIGHT: -

SIZE: A1 CAGE CODE: 100779 DRAWING NO: C-6600120 RESTRICTED TO: -

MATERIAL: 2 FINISH: 3

CUSTOMER DRAWING SCALE: 4:1 SHEET 1 OF 5 REV D1

8

7

6

5

4

3

2

1

THIS DRAWING IS UNPUBLISHED. RELEASED FOR PUBLICATION 20
 © COPYRIGHT 20 BY ALL RIGHTS RESERVED.

LOC	DIST	REVISIONS			
P	LTR	DESCRIPTION	DATE	DWN	APVD
-	-	SEE SHEET 1	-	-	-

.250	2.450	2.400	1.050	.375	2.750	24S + 6P	1-6600120-1
.200	3.375	3.325	1.050	.375	3.675	24S + 12HDP	1-6600120-0
.250	2.450	2.400	1.050	.375	2.750	24S + 6P	6600120-9
.250	3.450	3.400	1.050	.375	3.750	24S + 10P	6600120-8
.250	3.450	3.400	1.050	.375	3.750	24S + 10P	6600120-3
.250	2.450	2.400	1.050	.375	2.750	24S + 6P	6600120-2
	3.850	3.800	.900	.400	4.150	12S + 11P	6600120-1
DIM T	DIM D	DIM U	DIM W	DIM K	DIM L	DESCRIPTION	PART NUMBER

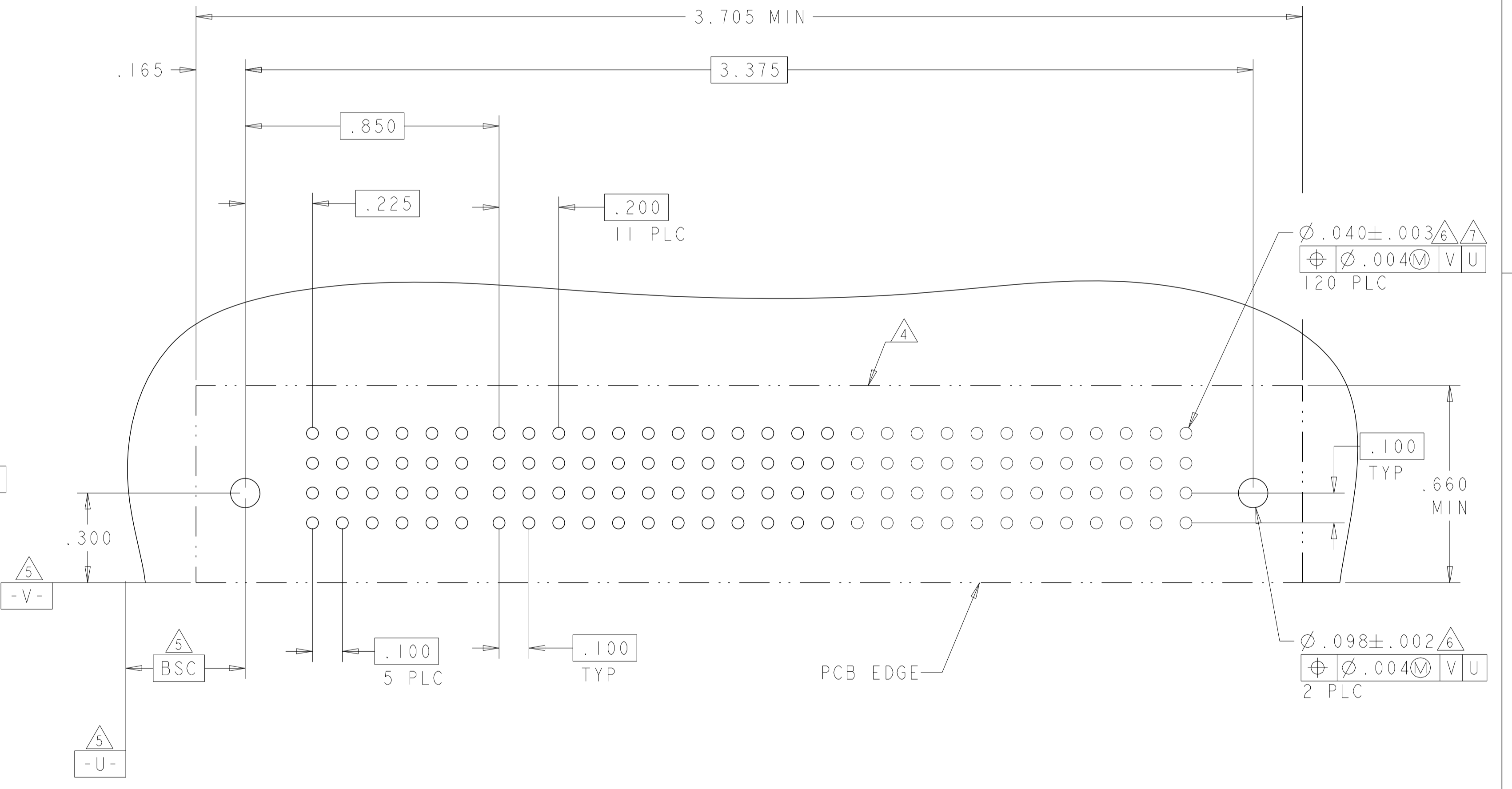
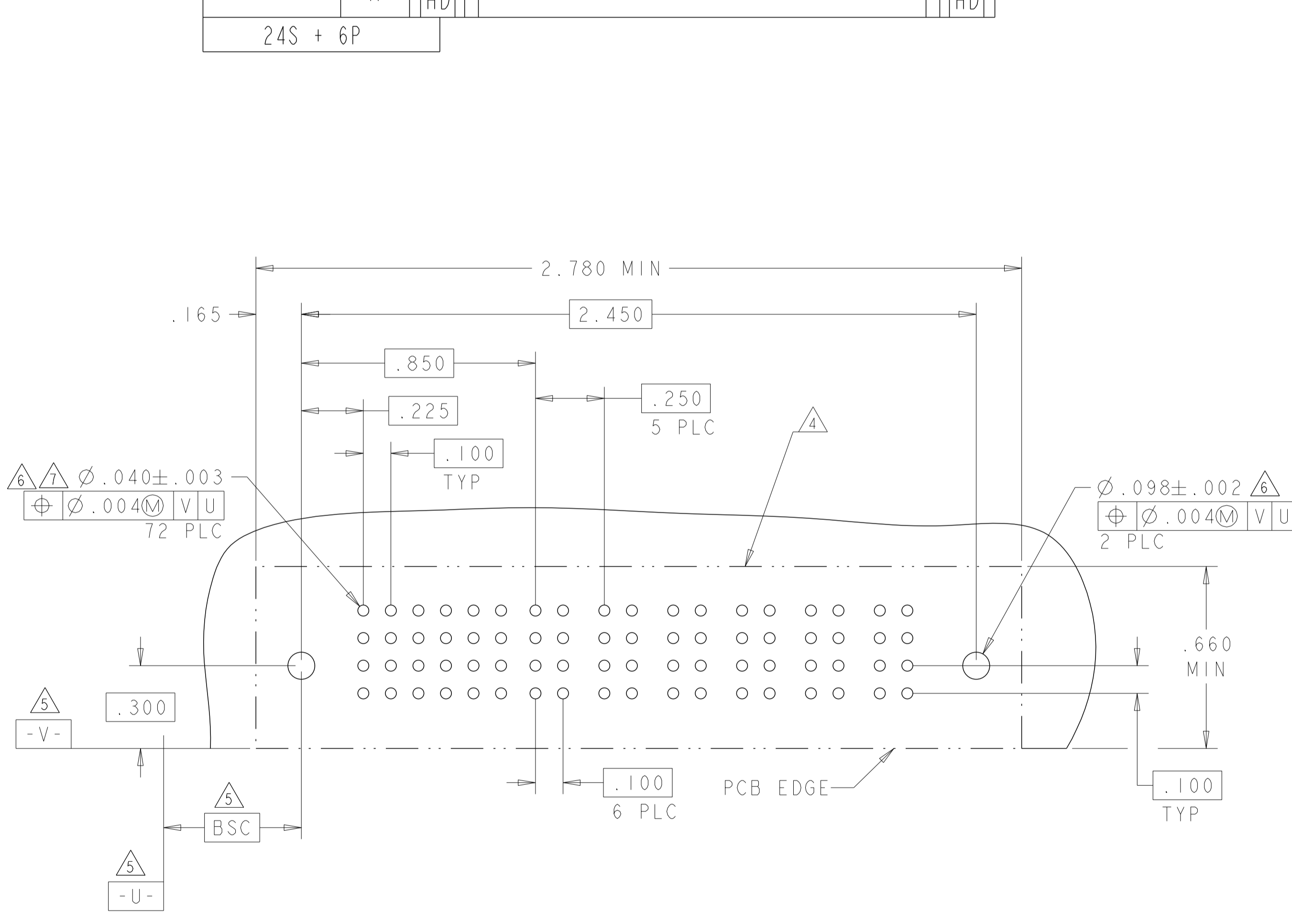
THIS DRAWING IS A CONTROLLED DOCUMENT.		DWN R. GBZYBOWSKI	13JUN05		TE Connectivity	
DIMENSIONS: INCHES		CHK M. PERCHERKE	13JUN05		APVD M. PERCHERKE	NAME
TOLERANCES UNLESS OTHERWISE SPECIFIED: 0 PLC ± 1 PLC ± 2 PLC ±.01 3 PLC ±.005 4 PLC ±.0020 ANGLES ±2°		PRODUCT SPEC 108-1973		SIZE	CAGE CODE	DRAWING NO
MATERIAL		APPLICATION SPEC 114-13038		RESTRICTED TO	-	
FINISH		WEIGHT		A1	100779	C=6600120
CUSTOMER DRAWING				SCALE	4:1	SHEET 2 OF 5
				REV	D	1

LOC	DIST	REVISIONS			
P	LTR	DESCRIPTION	DATE	DWN	APVD
-	-	SEE SHEET 1	-	-	-

PART NUMBER	ROWS	SIGNAL						POWER					
		1	2	3	4	5	6	P1	P2	P3	P4	P5	P6
6600120-9	D C B A	J	J	J	J	J	J	PS	PS	PS	PS	PS	PS
		K	K	K	K	F	K						
		N	N	N	N	G	N						
24S + 6P		H	S	S	S	H	S						

PART NUMBER	ROWS	SIGNAL						POWER												
		1	2	3	4	5	6	P1	P2	P3	P4	P5	P6	P7	P8	P9	P10	P11	P12	
1-6600120-0	D C B A	J	J	J	J	J	E	PS	PS	PS	PS	PS	PS	PS	PS	PS	PS	PS	PS	
		K	K	K	F	K	K													
		N	N	N	G	N	N													
24S + 12HDP		H	S	S	H	S	S													

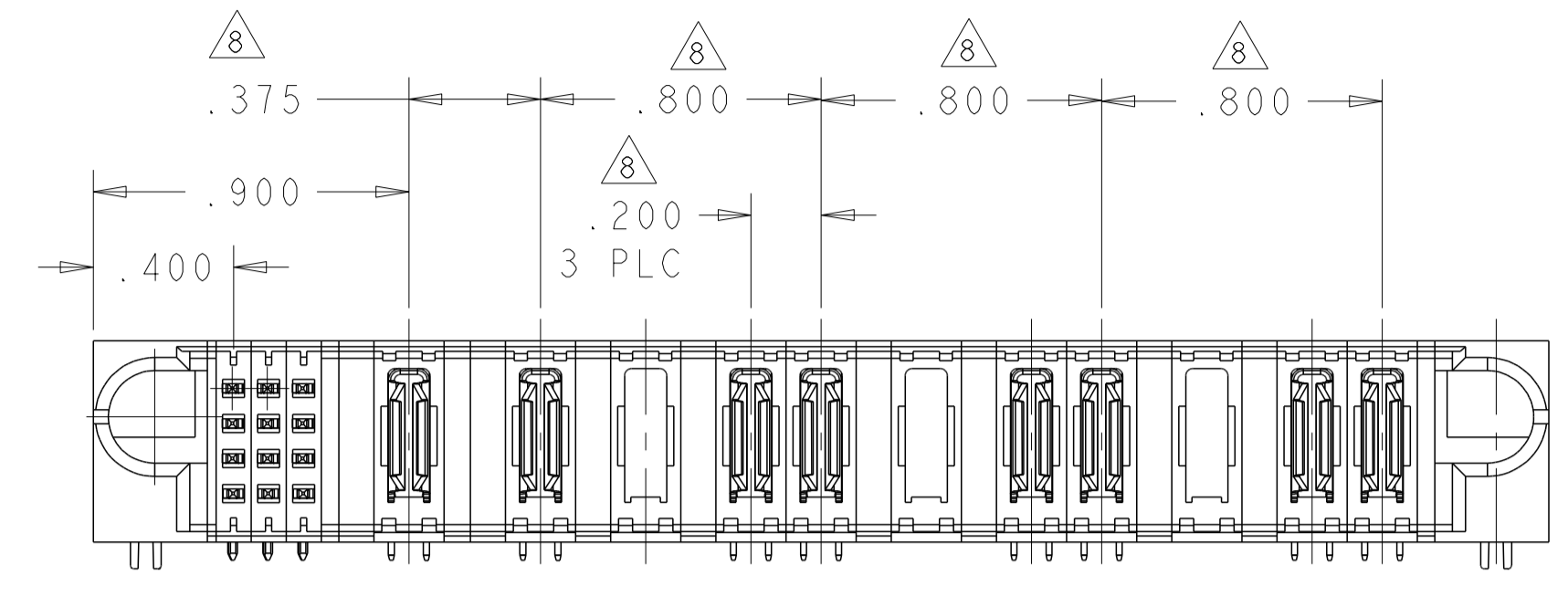
PART NUMBER	ROWS	SIGNAL						POWER					
		1	2	3	4	5	6	P1	P2	P3	P4	P5	P6
1-6600120-1	D C B A	J	J	J	J	J	J	PS	PS	PS	PS	PS	PS
		K	K	K	K	K	K						
		N	N	N	G	N	N						
24S + 6P		H	S	S	S	S	S						



6450120-9 AND 1-6600120-1 PCB LAYOUT

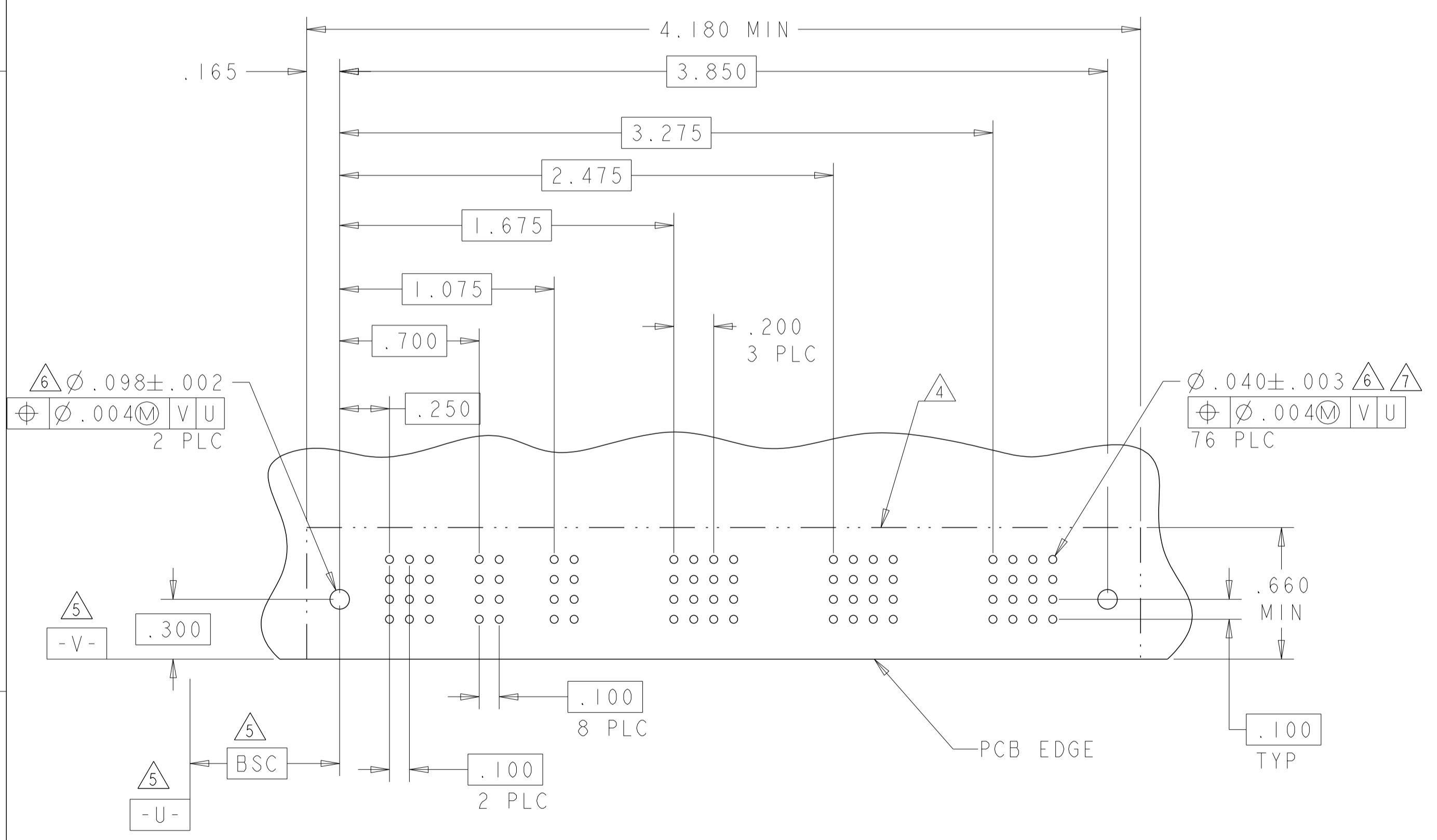
THIS DRAWING IS A CONTROLLED DOCUMENT.		DWN R. GBZYBOWSKI	13JUN05	TE Connectivity
DIMENSIONS: INCHES		CHK M. PERCHERKE	13JUN05	
TOLERANCES UNLESS OTHERWISE SPECIFIED: 0 PLC ±. 1 PLC ±. 2 PLC ±.01 3 PLC ±.005 4 PLC ±.0020 ANGLES ±2°		APVD M. PERCHERKE	NAME RIGHT ANGLE HEADER ASSEMBLY W/GUIDES DUAL BEAM XL	RESTRICTED TO
MATERIAL	FINISH	PRODUCT SPEC 108-1973	APPLICATION SPEC 114-13038	SIZE A1
CUSTOMER DRAWING		WEIGHT	SCALE 4:1	SHEET 4 OF 5

LOC		DIST		REVISIONS			
P	LTR	DESCRIPTION	DATE	DWN	APVD		
-	-	SEE SHEET 1	-	-	-	-	-



PART NUMBER	ROWS	SIGNAL			POWER										
		1	2	3	P1	P2	P3	P4	P5	P6	P7	P8	P9	P10	P11
6600120-1	D C B A	J	J	J	PS	PS		PS	PS		PS	PS		PS	PS
12S + 11P	HD	K	K	K											
		N	N	N											
		S	S	S											

NO CONTACTS LOADED



THIS DRAWING IS A CONTROLLED DOCUMENT. DWN R. GBZYBOWSKI 13JUN05
 CHN M. PERCHERKE 13JUN05

STE TE Connectivity

APVD M. PERCHERKE NAME RIGHT ANGLE HEADER ASSEMBLY
 PRODUCT SPEC W/GUIDES
 APPLICATION SPEC DUAL BEAM XL
 108-1973
 114-13038

SIZE CAGE CODE DRAWING NO RESTRICTED TO
 A100779 C-6600120

MATERIAL FINISH WEIGHT CUSTOMER DRAWING SCALE 4:1 SHEET 5 OF 5 REV D1