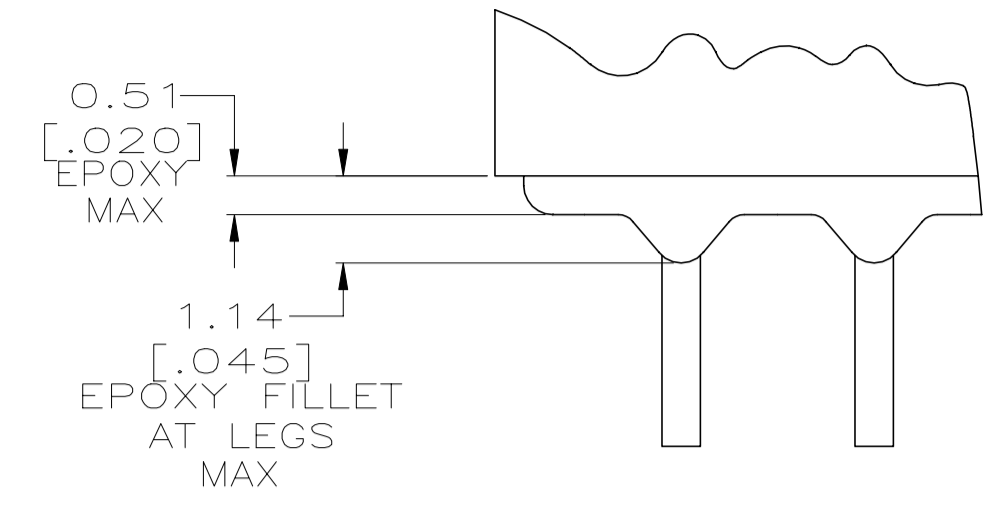
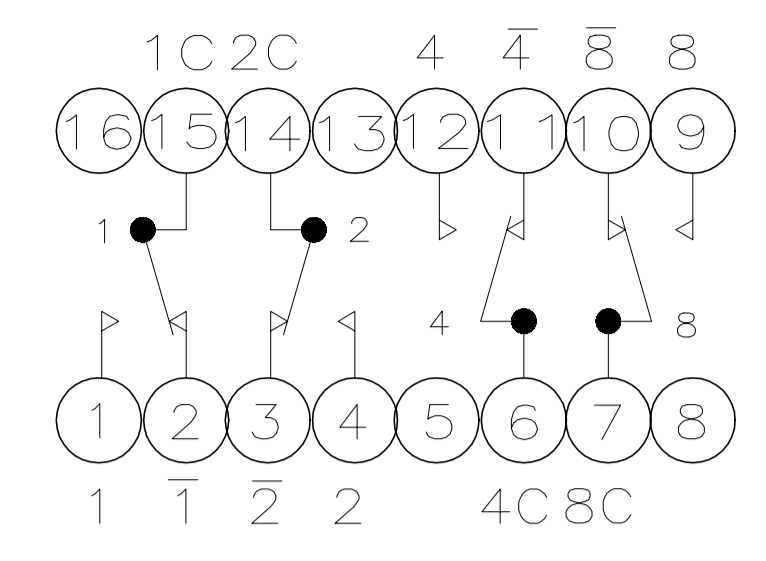


REVISIONS					
P	LTR	DESCRIPTION	DATE	DWN	APVD
S		ECO-20-004897	24AUG2020	SB	JB

- 1. SLOT FOR SCREWDRIVER ACTUATION.
- 2. FOR ADDITIONAL SPECIFICATIONS SEE AMP PRODUCT SPEC 108-7066 AND INSTRUCTION SHEET 6811.
- 3. SWITCH BOTTOM IS SEALED.
- 4. CONTACT FINISH TO BE 0.00076 [.000030] GOLD OVER NICKEL.
- 5. MATERIAL:
HOUSING : BLACK POLYESTER
CONTACTS : BERYLLIUM COPPER.
- 6. MARKS WILL BE ADDED BY LASER MARK PROCESS.



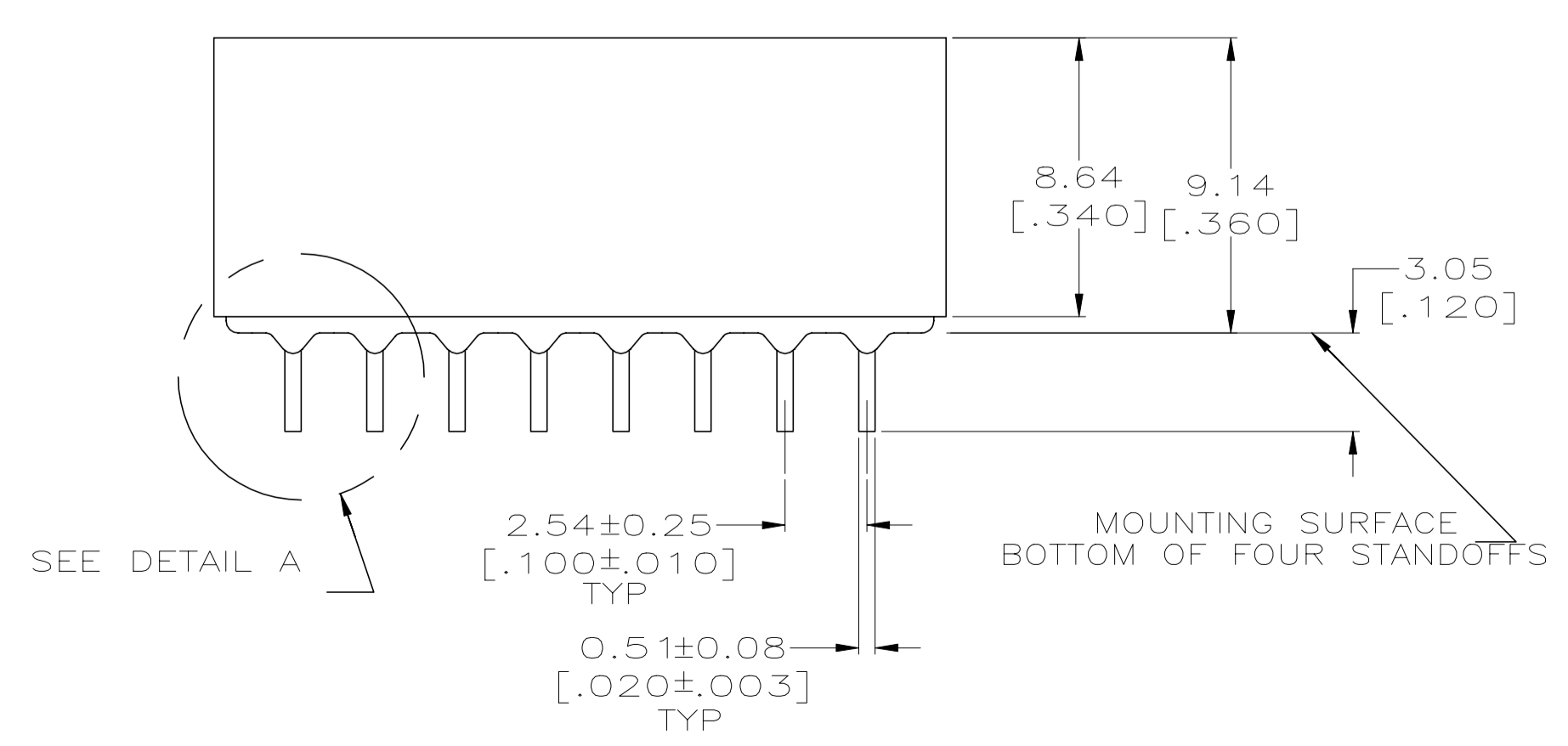
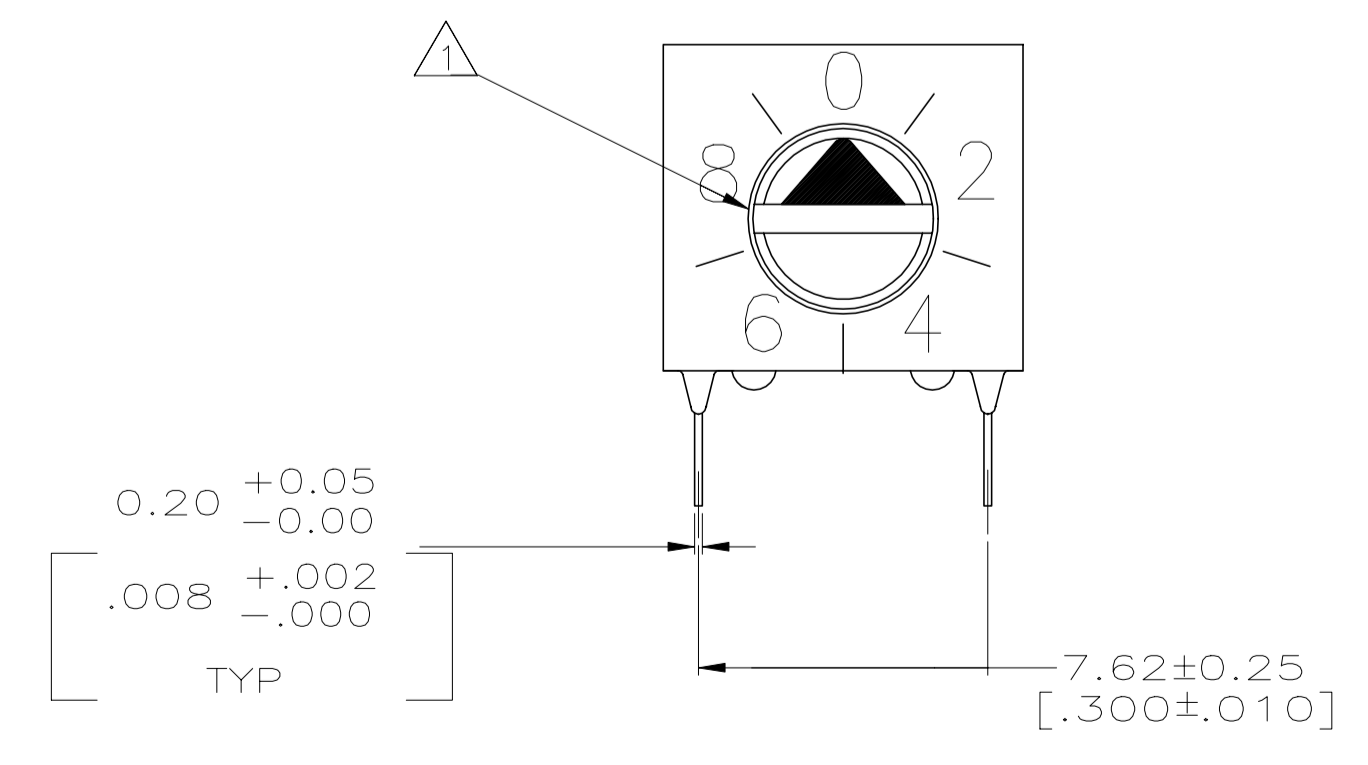
DETAIL A
SCALE 10:1



SCHEMATIC
(POSITION 0)

		POSITION									
		0	1	2	3	4	5	6	7	8	9
COMMON TO	1		●		●		●		●		●
	2			●	●			●	●		
	4					●	●	●	●		
	8									●	●
	1	●		●		●		●		●	
	2	●	●			●	●			●	●
	4	●	●	●	●					●	●
	8	●	●	●	●	●	●	●	●		

BCD WITH COMPLEMENT



53919-2
PART NUMBER

THIS DRAWING IS A CONTROLLED DOCUMENT.		DWN W. SORAH 1-8-97	TE Connectivity																		
DIMENSIONS: INCHES		DWG R. TALLEY 1-8-97																			
TOLERANCES UNLESS OTHERWISE SPECIFIED:		APVD J. ROBB 1-8-97	NAME SWITCH ASSY, PREPROGRAMMED DIP, 10 POSITION, SCREWDRIVER SLOT																		
<table border="1"> <tr><td>0 PLC</td><td>±</td><td>-</td></tr> <tr><td>1 PLC</td><td>±</td><td>-</td></tr> <tr><td>2 PLC</td><td>±</td><td>0.30 [012]</td></tr> <tr><td>3 PLC</td><td>±</td><td>-</td></tr> <tr><td>4 PLC</td><td>±</td><td>-</td></tr> <tr><td>ANGLES</td><td>±</td><td>-</td></tr> </table>		0 PLC	±	-	1 PLC	±	-	2 PLC	±	0.30 [012]	3 PLC	±	-	4 PLC	±	-	ANGLES	±	-	PRODUCT SPEC -	APPLICATION SPEC -
0 PLC	±	-																			
1 PLC	±	-																			
2 PLC	±	0.30 [012]																			
3 PLC	±	-																			
4 PLC	±	-																			
ANGLES	±	-																			
MATERIAL △	FINISH △	SIZE A1	CAGE CODE 00779																		
CUSTOMER DRAWING		DRAWING NO. C=53919-2	RESTRICTED TO -																		
SCALE 5:1		SHEET 1	OF 1																		
		REV S																			