



Product Change Notification

TE Connectivity

Product Change Notification: PCN-21-124092

PCN Date: 07-JAN-22

TE would like to inform you of the following change(s) to the listed TE Connectivity Product. In case of any further questions about this change(s), please contact your TE Connectivity Sales Engineer. Affected part, drawing and/or specification numbers are listed on the attached sheet(s).

General Product Description:

AMPMODU II RECEPTACLE ASSEMBLY, HORIZONTAL, .100 CENTERLINE, DUAL ROW, CLOSED-ENTRY, SHORT POINT OF CONTACT, STACKABLE

Description of Changes

AMPMODU II RECEPTACLE ASSEMBLY, HORIZONTAL, .100 CENTERLINE, DUAL ROW, CLOSED-ENTRY, SHORT POINT OF CONTACT, STACKABLE POSITION 1 MARKING ADDED ON THE CONNECTOR HOUSING FOR ALL PART NUMBERS EXCEPT 4 POSITION PN 6-535512-1 REASON FOR CHANGE: CUSTOMER REQUEST, PRODUCT IMPROVEMENT

Other attachments:

[Note 11 added on the customer drawing to indicate position #1 marking location on the housing surface](#)

Reason for Changes:

PCN Attributes:

Product Category:

Headers

Kind of Change:

Drawing

Change Feature:

Drawing adapted to part change

Potential Customer Impact:

No Customer Impact

Remarks:

Estimated Dates:

Last Order Date (Obsolete Parts Only):

First Ship Date of Changed Items (Changed Parts Only):

12-APR-2022

Last Ship Date of Changed Items (Obsolete Parts Only):	Last Date for Mixed Shipments: (Changed Parts Only):
	31-MAY-2022
Effectivity Date:	Date of First Samples:

Part Number(s) being Modified:

Part Number	Part Discontinued per PCN	Customer Drawing	Customer Part Number	Alias Part Number(s)	Substitute Part Number	Substitute Alias Part Number(s)	Description Of Difference
1-535512-8	NO						
2-535512-5	NO						
535512-3	NO			"2-29763-1024"			
6-535512-4	NO						

The documents listed below are being modified. Related parts that are not explicitly listed on this PCN are not being modified or discontinued as per the PCN. The Last Order Date, Last Ship Date, First Date to Ship Changed Parts and last date for Mixed Shipments apply only to parts explicitly listed on this PCN.

Customer Drawing(s) Being Modified:

Drawing Number	Related Part Number	Customer Part Number	Current Revision	New Revision
535512	2-535512-5, 535512-3, 1-535512-8		Z	

Part Number(s) being Modified:

Part Number	Part Discontinued per PCN	Customer Drawing	Customer Part Number	Alias Part Number(s)	Substitute Part Number	Substitute Alias Part Number(s)	Description Of Difference
2-535512-5	NO						
535512-3	NO			"2-29763-1024"			
6-535512-4	NO						

The documents listed below are being modified. Related parts that are not explicitly listed on this PCN are not being modified or discontinued as per the PCN. The Last Order Date, Last Ship Date, First Date to Ship Changed Parts and last date for Mixed Shipments apply only to parts explicitly listed on this PCN.

Customer Drawing(s) Being Modified:

Drawing Number	Related Part Number	Customer Part Number	Current Revision	New Revision

Drawing Number	Related Part Number	Customer Part Number	Current Revision	New Revision
535512	2-535512-5		Z	

Part Number(s) being Modified:

Part Number	Part Discontinued per PCN	Customer Drawing	Customer Part Number	Alias Part Number(s)	Substitute Part Number	Substitute Alias Part Number(s)	Description Of Difference
2-535512-5	NO						
535512-3	NO			"2-29763-1024"			

The documents listed below are being modified. Related parts that are not explicitly listed on this PCN are not being modified or discontinued as per the PCN. The Last Order Date, Last Ship Date, First Date to Ship Changed Parts and last date for Mixed Shipments apply only to parts explicitly listed on this PCN.

Customer Drawing(s) Being Modified:

Drawing Number	Related Part Number	Customer Part Number	Current Revision	New Revision
535512	535512-3		Z	

Part Number(s) being Modified:

Part Number	Part Discontinued per PCN	Customer Drawing	Customer Part Number	Alias Part Number(s)	Substitute Part Number	Substitute Alias Part Number(s)	Description Of Difference
2-535512-5	NO						
535512-3	NO			"2-29763-1024"			

The documents listed below are being modified. Related parts that are not explicitly listed on this PCN are not being modified or discontinued as per the PCN. The Last Order Date, Last Ship Date, First Date to Ship Changed Parts and last date for Mixed Shipments apply only to parts explicitly listed on this PCN.

Customer Drawing(s) Being Modified:

Drawing Number	Related Part Number	Customer Part Number	Current Revision	New Revision
535512	2-535512-5		Z	

Part Number(s) being Modified:

Part Number	Part Discontinued per PCN	Customer Drawing	Customer Part Number	Alias Part Number(s)	Substitute Part Number	Substitute Alias Part Number(s)	Description Of Difference
1-535512-8	NO						
535512-3	NO			"2-29763-1024"			
6-535512-4	NO						

The documents listed below are being modified. Related parts that are not explicitly listed on this PCN are not being modified or discontinued as per the PCN. The Last Order Date, Last Ship Date, First Date to Ship Changed Parts and last date for Mixed Shipments apply only to parts explicitly listed on this PCN.

Customer Drawing(s) Being Modified:

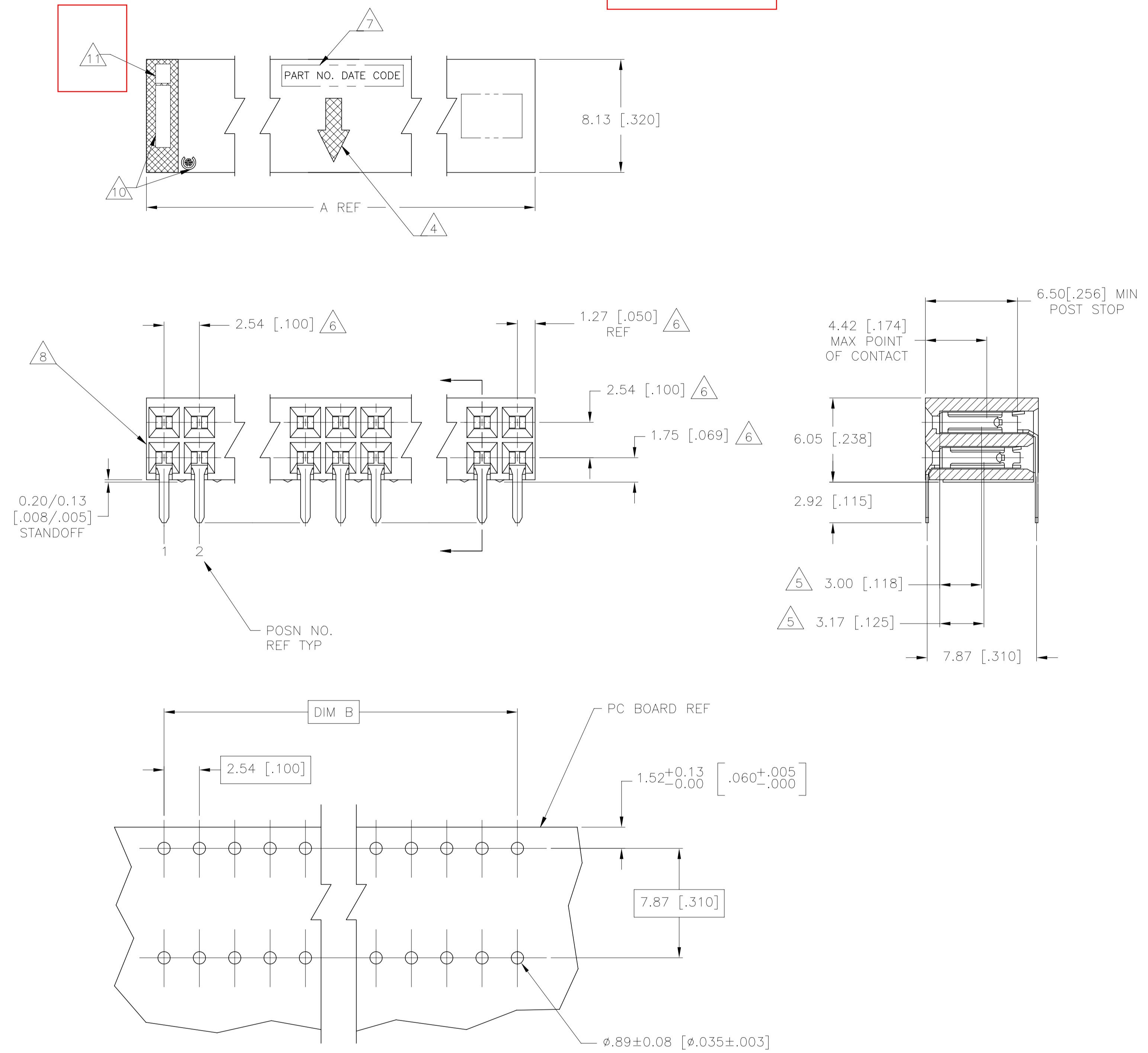
Drawing Number	Related Part Number	Customer Part Number	Current Revision	New Revision
535512	1-535512-8		Z	

Part Number(s) being Modified:

Part Number	Part Discontinued per PCN	Customer Drawing	Customer Part Number	Alias Part Number(s)	Substitute Part Number	Substitute Alias Part Number(s)	Description Of Difference
2-535512-5	NO						
535512-3	NO			"2-29763-1024"			
6-535512-4	NO						

REVISIONS				
P	LTR	DESCRIPTION	DATE	BYN
AA		POSITION 1 MARKING SHOWN	13DEC2021	SCB/KJK

PRELIMINARY



10.16 [.400]	12.70 [.500]	10	6-535512-4
7.62 [.300]	10.16 [.400]	8	6-535512-3
5.08 [.200]	7.62 [.300]	6	6-535512-2
2.54 [.100]	5.08 [.200]	4	6-535512-1
162.56 [6.400]	165.10 [6.500]	130	6-535512-0
160.02 [6.300]	162.56 [6.400]	128	5-535512-9
157.48 [6.200]	160.02 [6.300]	126	5-535512-8
152.40 [6.000]	154.94 [6.100]	122	5-535512-7
149.86 [5.900]	152.40 [6.000]	120	5-535512-6
147.32 [5.800]	149.86 [5.900]	118	5-535512-5
144.78 [5.700]	147.32 [5.800]	116	5-535512-4
142.24 [5.600]	144.78 [5.700]	114	5-535512-3
139.70 [5.500]	142.24 [5.600]	112	5-535512-2
137.16 [5.400]	139.70 [5.500]	110	5-535512-1
134.62 [5.300]	137.16 [5.400]	108	5-535512-0
132.08 [5.200]	134.62 [5.300]	106	4-535512-9
129.54 [5.100]	132.08 [5.200]	104	4-535512-8
127.00 [5.000]	129.54 [5.100]	102	4-535512-7
124.46 [4.900]	127.00 [5.000]	100	4-535512-6
121.92 [4.800]	124.46 [4.900]	98	4-535512-5
119.38 [4.700]	121.92 [4.800]	96	4-535512-4
116.84 [4.600]	119.38 [4.700]	94	4-535512-3
114.30 [4.500]	116.84 [4.600]	92	4-535512-2
111.76 [4.400]	114.30 [4.500]	90	4-535512-1
109.22 [4.300]	111.76 [4.400]	88	4-535512-0
106.68 [4.200]	109.22 [4.300]	86	3-535512-9
104.14 [4.100]	106.68 [4.200]	84	3-535512-8
101.16 [4.000]	104.14 [4.100]	82	3-535512-7
91.44 [3.600]	93.98 [3.700]	74	3-535512-6
88.90 [3.500]	91.44 [3.600]	72	3-535512-5
83.82 [3.300]	86.36 [3.400]	68	3-535512-4
81.28 [3.200]	83.82 [3.300]	66	3-535512-3
78.74 [3.100]	81.28 [3.200]	64	3-535512-2
76.20 [3.000]	78.74 [3.100]	62	3-535512-1
73.66 [2.900]	76.20 [3.000]	60	3-535512-0
71.12 [2.800]	73.66 [2.900]	58	2-535512-9
63.50 [2.500]	66.04 [2.600]	52	2-535512-8
55.88 [2.200]	58.42 [2.300]	46	2-535512-7
50.8 [2.000]	53.34 [2.100]	42	2-535512-6
48.26 [1.900]	50.8 [2.000]	40	2-535512-5
45.72 [1.800]	48.26 [1.900]	38	2-535512-4
38.10 [1.500]	40.64 [1.600]	32	2-535512-3
35.56 [1.400]	38.10 [1.500]	30	2-535512-2
33.02 [1.300]	35.56 [1.400]	28	2-535512-1
30.48 [1.200]	33.02 [1.300]	26	2-535512-0
25.40 [1.000]	27.94 [1.100]	22	1-535512-9
17.78 [.700]	20.32 [.800]	16	1-535512-8
15.24 [.600]	17.78 [.700]	14	1-535512-7
20.32 [.800]	22.86 [.900]	18	1-535512-6
58.42 [2.300]	60.96 [2.400]	48	1-535512-5
154.94 [6.100]	157.48 [6.200]	124	1-535512-4
99.06 [3.900]	101.16 [4.000]	80	1-535512-3
96.52 [3.800]	99.06 [3.900]	78	1-535512-2
93.98 [3.700]	96.52 [3.800]	76	1-535512-1
86.36 [3.400]	88.90 [3.500]	70	1-535512-0
68.58 [2.700]	71.12 [2.800]	56	535512-9
66.04 [2.600]	68.58 [2.700]	54	535512-8
60.96 [2.400]	63.50 [2.500]	50	535512-7
53.34 [2.100]	55.88 [2.200]	44	535512-6
43.18 [1.700]	45.72 [1.800]	36	535512-5
40.64 [1.600]	43.18 [1.700]	34	535512-4
27.94 [1.100]	30.48 [1.200]	24	535512-3
22.86 [.900]	25.40 [1.000]	20	535512-2
12.70 [.500]	15.24 [.600]	12	535512-1

SUPERCEDED BY 4-5535512-5

SUPERCEDED BY 3-5535512-9

RECOMMENDED PC BOARD LAYOUT

- 1 HOUSING MATERIAL: GLASS FILLED POLYESTER, COLOR- BLACK
- 2 CONTACT MATERIAL: PHOSPHOR BRONZE
- 3 CONTACT FINISH: 0.00076[.000030] THK DUPLEX PLATED GOLD ON CONTACT AREA, 0.00127[.000050] MIN THK BRIGHT TIN-LEAD ON SOLDERLEADS, ALL OVER 0.00127[.000050] NICKEL
- 4 MOLDED IN ARROW DESIGNATES THE MATING FACE OF THE CONNECTOR
- 5 POINT OF MEASUREMENT FOR PLATING THICKNESS OF CONTACT AREA
- 6 DIMENSIONS PERTAIN TO HOUSING CAVITY CENTERLINES
- 7 PART NUMBER AND DATE CODE MARKED IN APPROXIMATE LOCATION SHOWN, EITHER END.
- 8 ALTERNATE LOCATION FOR DATE CODE FOR 4 AND 6 POSITION.
- 10 TE LOGO AND CSA LOGO ARE MOLDED INTO HOUSING, THIS LOCATION.
- 11 POSITION #1 MARKING ON THIS LOCATION FOR ALL PART NUMBERS EXCEPT 6-535512-1

THIS DRAWING IS A CONTROLLED DOCUMENT. DWN R BROWN 17MAY02
 DW J OLSON 17MAY02
 APVD J OLSON 17MAY02

TE Connectivity

AMPMODU MOD II RECEPTACLE ASSEMBLY, HORIZONTAL, .100 CL, 2 ROW, CLOSED-ENTRY, SHORT POINT OF CONTACT, END-TO-END STACKABLE

SIZE: A1 CAGE CODE: 00779 DRAWING NO: 535512

MATERIAL: 1 2 FINISH: 3

CUSTOMER DRAWING SCALE: 5:1 SHEET: 1 OF 1 REV: AA