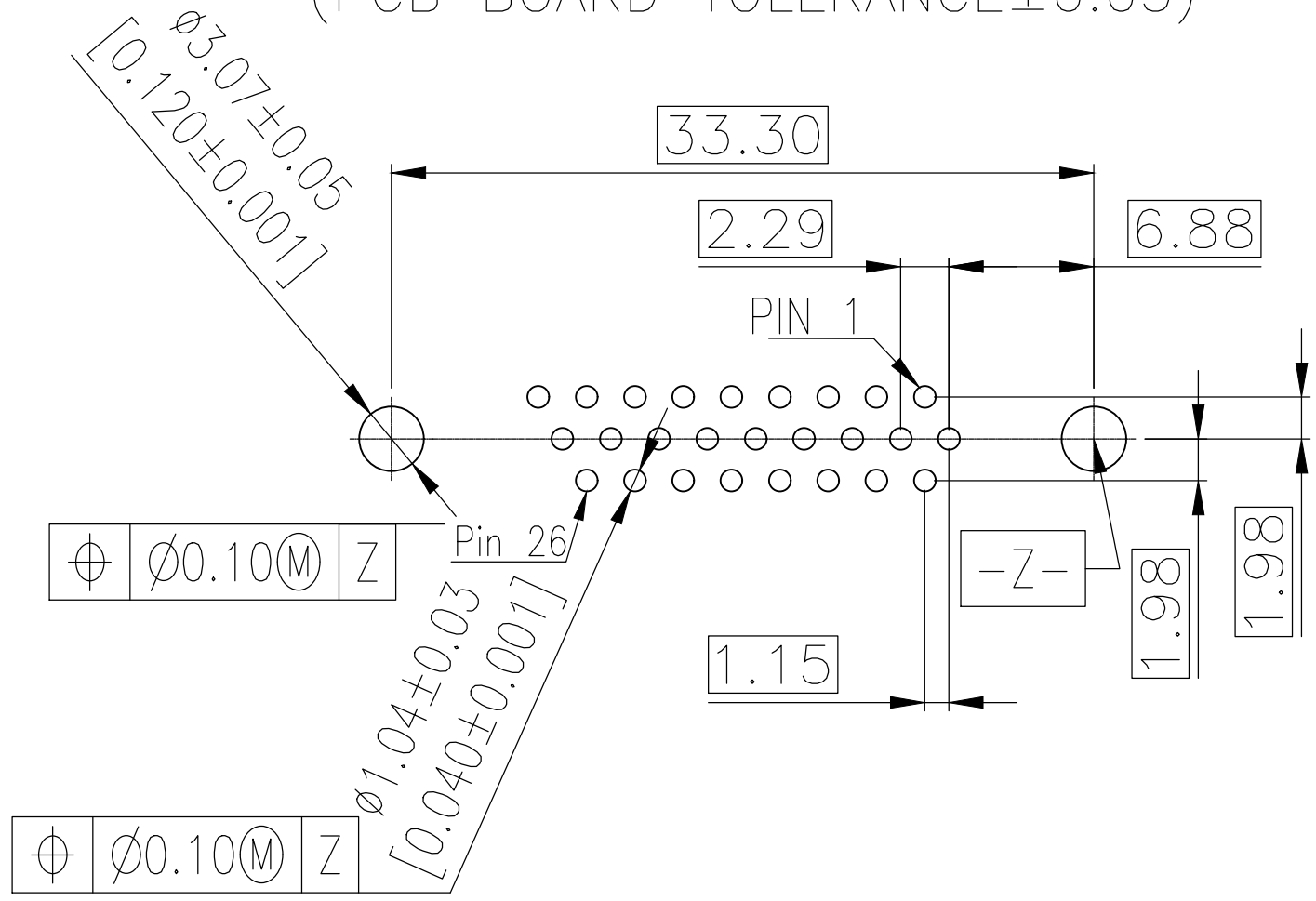
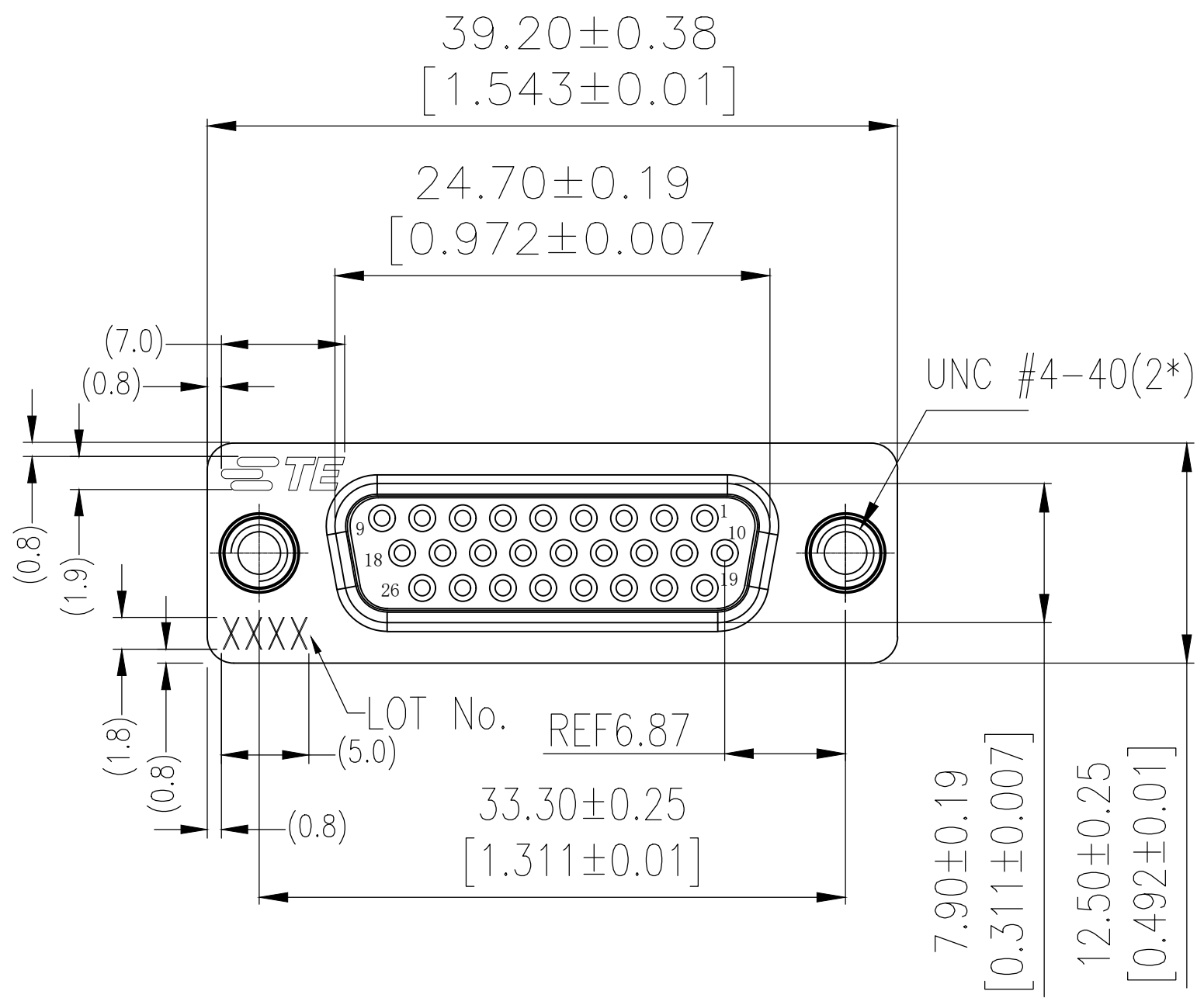


REVISIONS					
P	LTR	DESCRIPTION	DATE	DWN	APVD
A		INITIAL RELEASE	04SEP2017	AP	DG
B		REVISED PER ECO-17-016472	21NOV2017	AP	DG
C		REVISED PER ECO-18-008016	25MAY2018	AP	DG

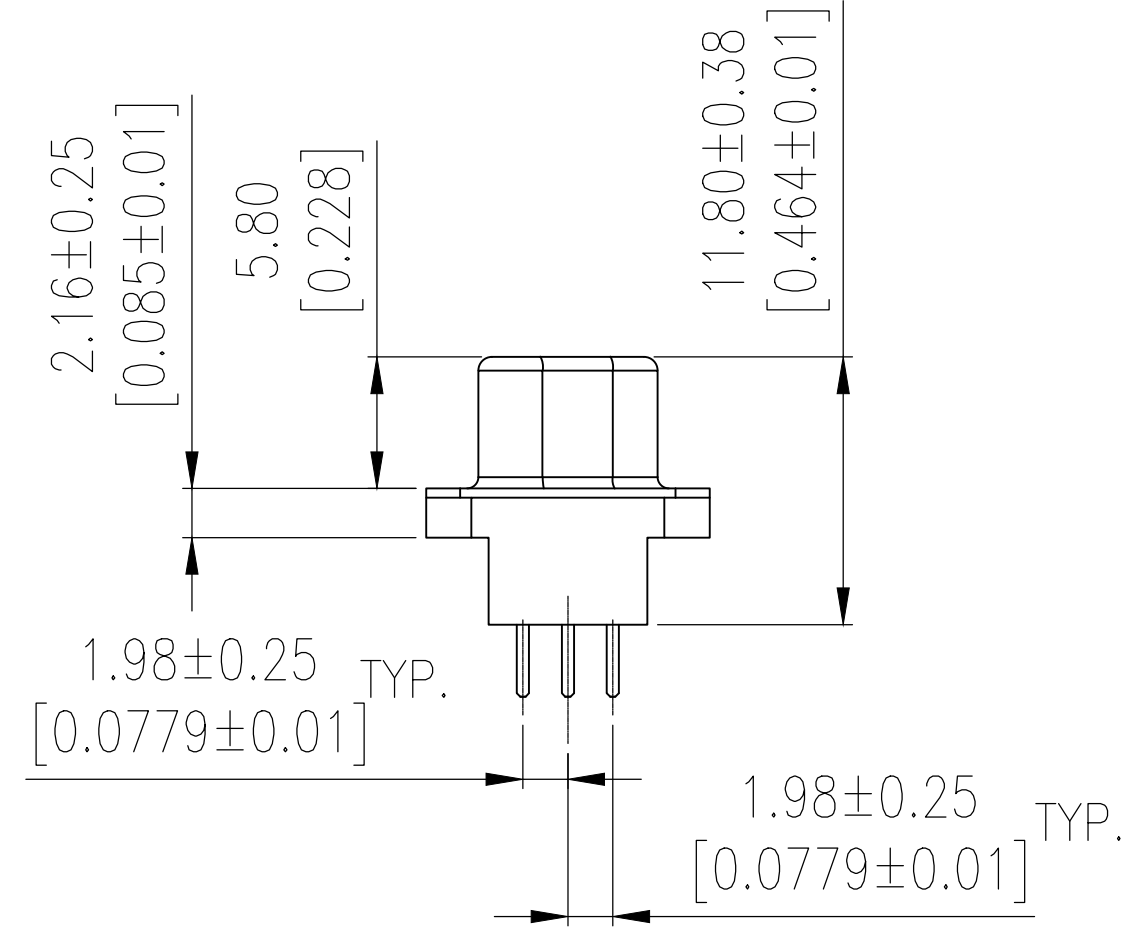
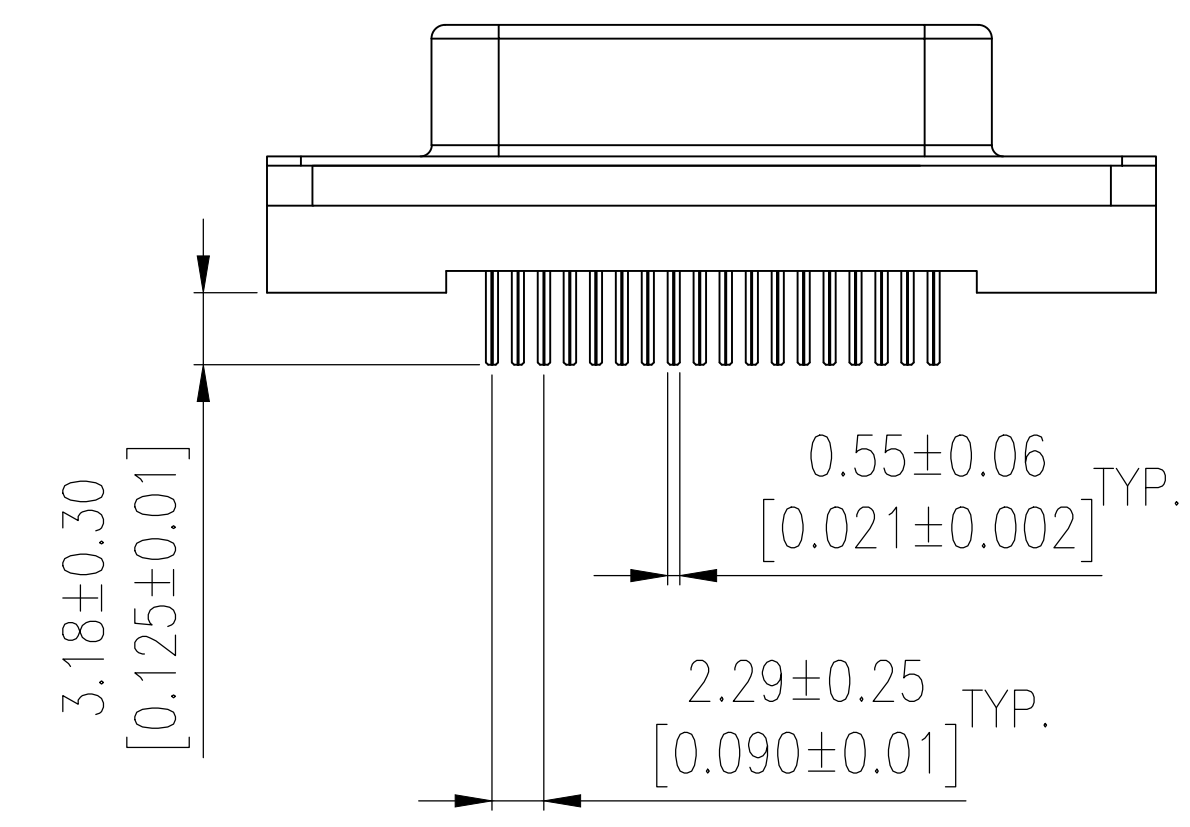
Recommended P.C.B Layout
 (PCB BOARD TOLERANCE ±0.05)



NOTES:
 Rated Current: 3.0AMP
 Contact Resistance: 30mΩ max
 Withstand Voltage: 500V AC
 Insulation Resistance: 1000MΩ min
 Operation Temperature: -40°C to +85°C

Insulator: PBT UL94V-0 BLACK
 Contact: Phosphor Bronze
 "GOLD PLATING ON CONTACT AREA
 100u" MATTE TIN PLATING ON SOLDER TAIL
 50u" NICKEL UNDERPLATED OVERALL
 INSERTS: BRASS, 50u" NICKEL PLATED
 Shell: SPCC, 50u" NICKEL PLATING OVERALL

LOT NUMBER "XXXX"
 ———— Stands For Calendar Year
 ———— Stands For Week Number



THREADED	30μAu	2317170-1
TYPE	Contact Area	P/N
	Plating	

THIS DRAWING IS A CONTROLLED DOCUMENT.

DWN	AJITH PAI	13MAR2017
CHK	DANIEL GORENC	13MAR2017
APVD	DANIEL GORENC	13MAR2017
PRODUCT SPEC		
APPLICATION SPEC		
WEIGHT		
CUSTOMER DRAWING		

TE Connectivity
 AMPLIMITE RECEPTACLE, HD22, 26P, VERTICAL THREADED

SIZE	CAGE CODE	DRAWING NO	RESTRICTED TO
A2	00779	C=2317170	-
SCALE	1:1	SHEET	1 OF 1
REV	C		