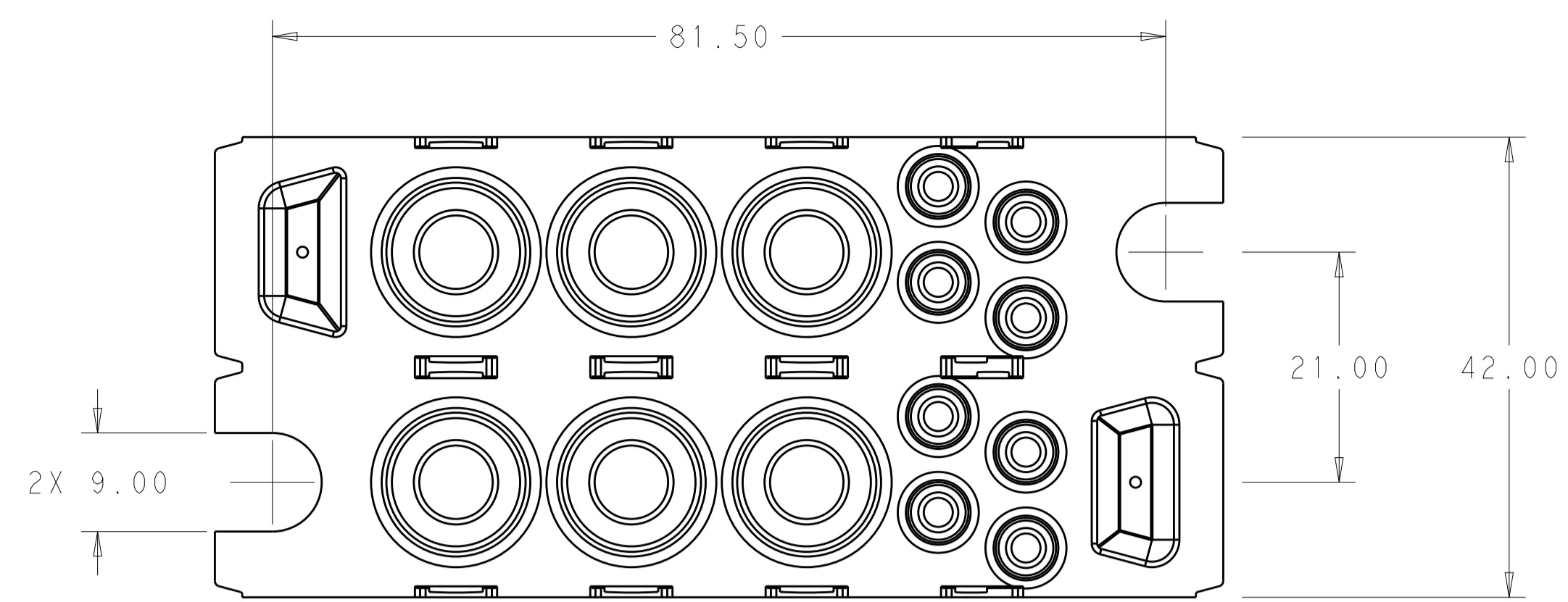
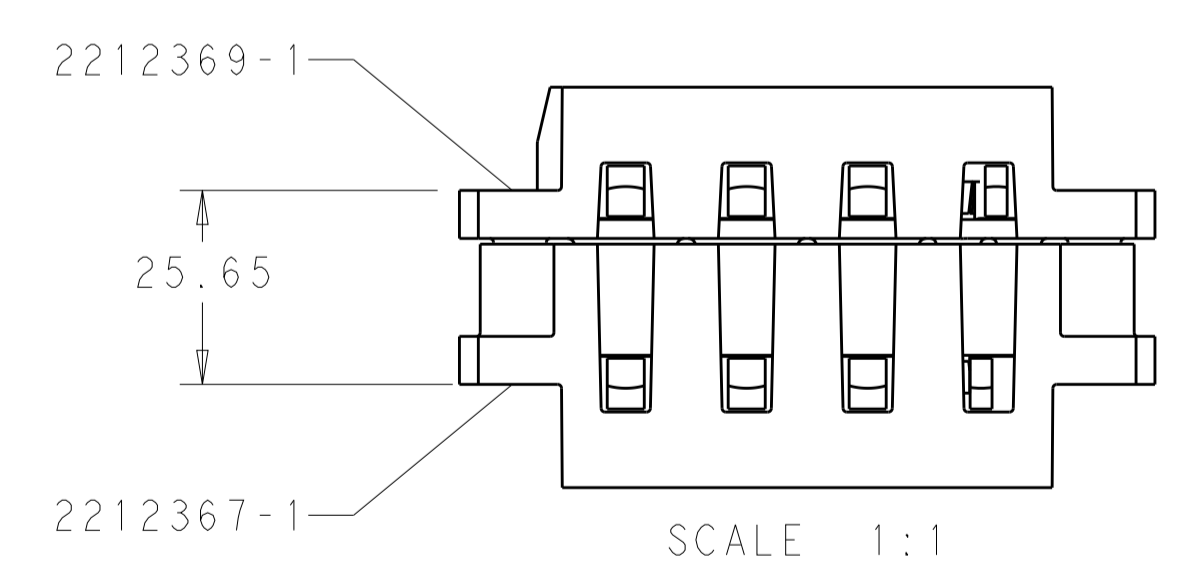
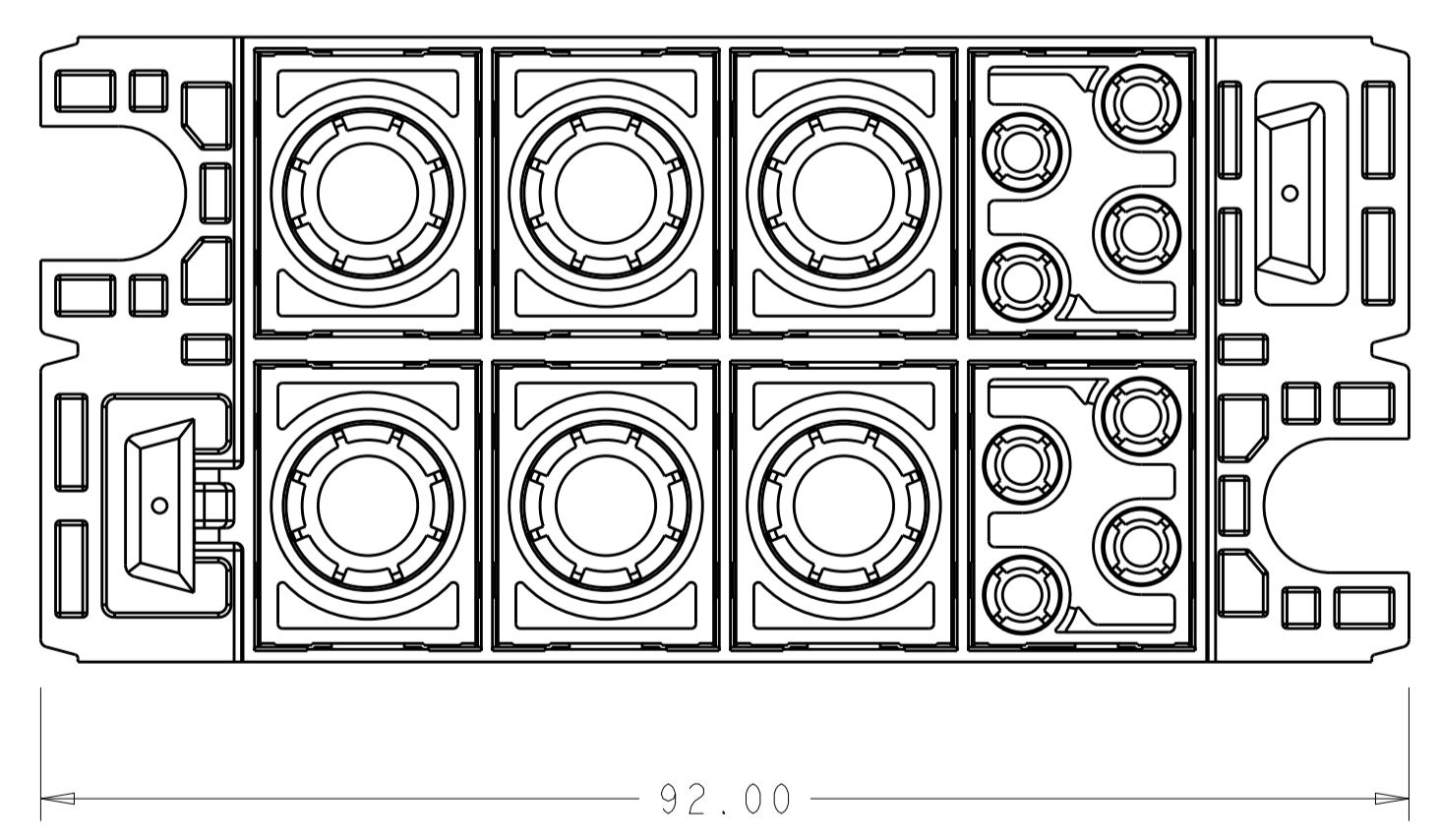
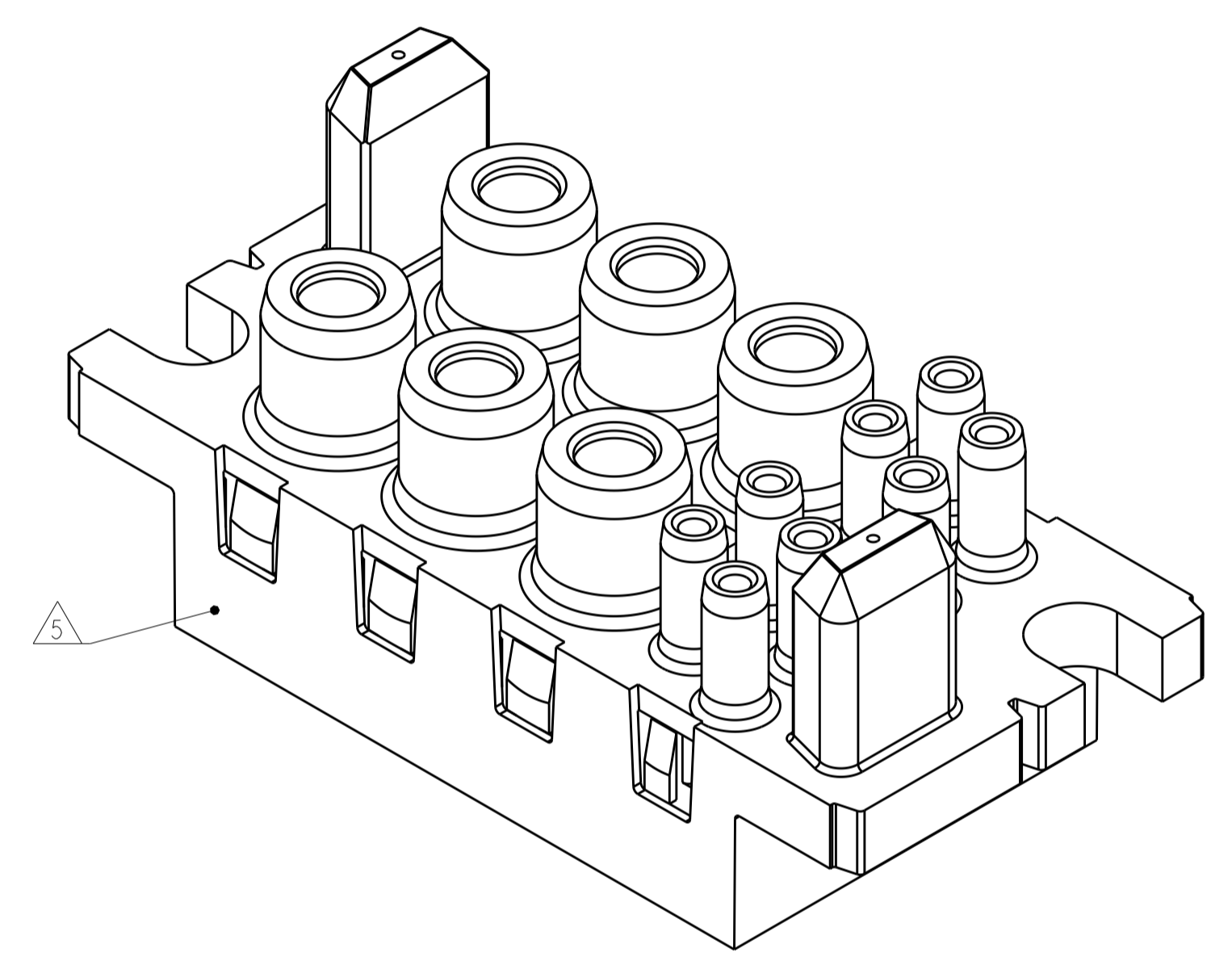
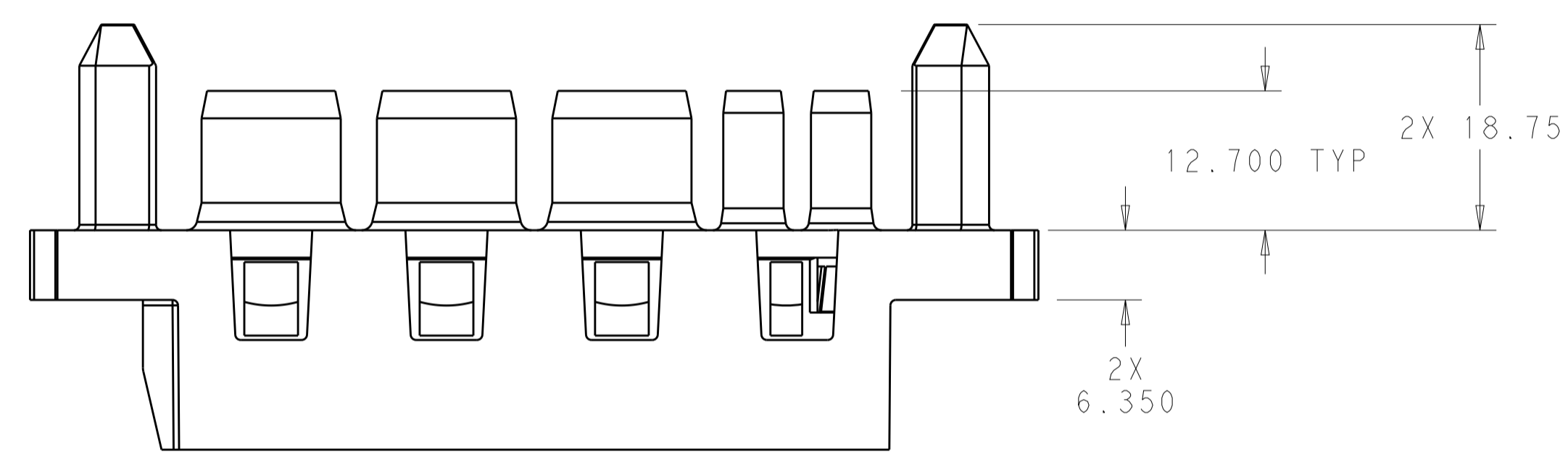
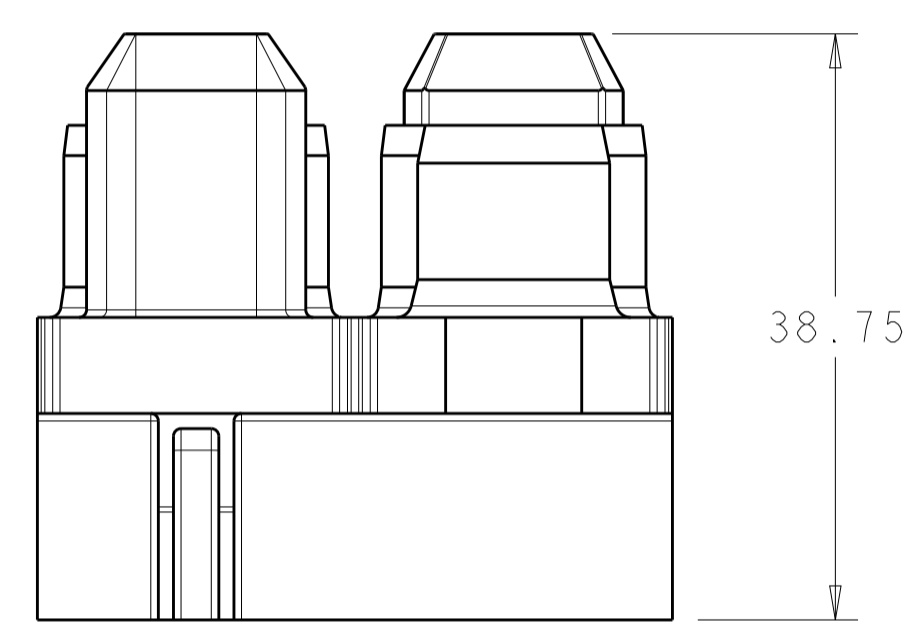


LOC		DIST		REVISIONS			
P	LTN	DESCRIPTION	DATE	DMN	APVD		
1		PROPOSED	06FEB2015	RT	EW		



- △ HOUSING: THERMOPLASTIC, COLOR BLACK, FLAMMABILITY RATING UL 94 V-0.
- △ THIS ASSEMBLY TO MATE WITH TEC PART NUMBER 2212367-1.
- 3. RECOMMENDED SHOULDER SCREW:  
2212056, FLOAT MOUNT  
2212055, FIXED MOUNT
- △ RECOMMENDED PANEL CUTOUT FOR FRONT PANEL MOUNT APPLICATION.  
RECOMMENDED PANEL THICKNESS 1.5 TO 1.78.
- △ DATE CODE AND PART NUMBER IN APPROXIMATE AREA SHOWN.



SCALE 1:1  
FULLY MATED ASSEMBLIES △

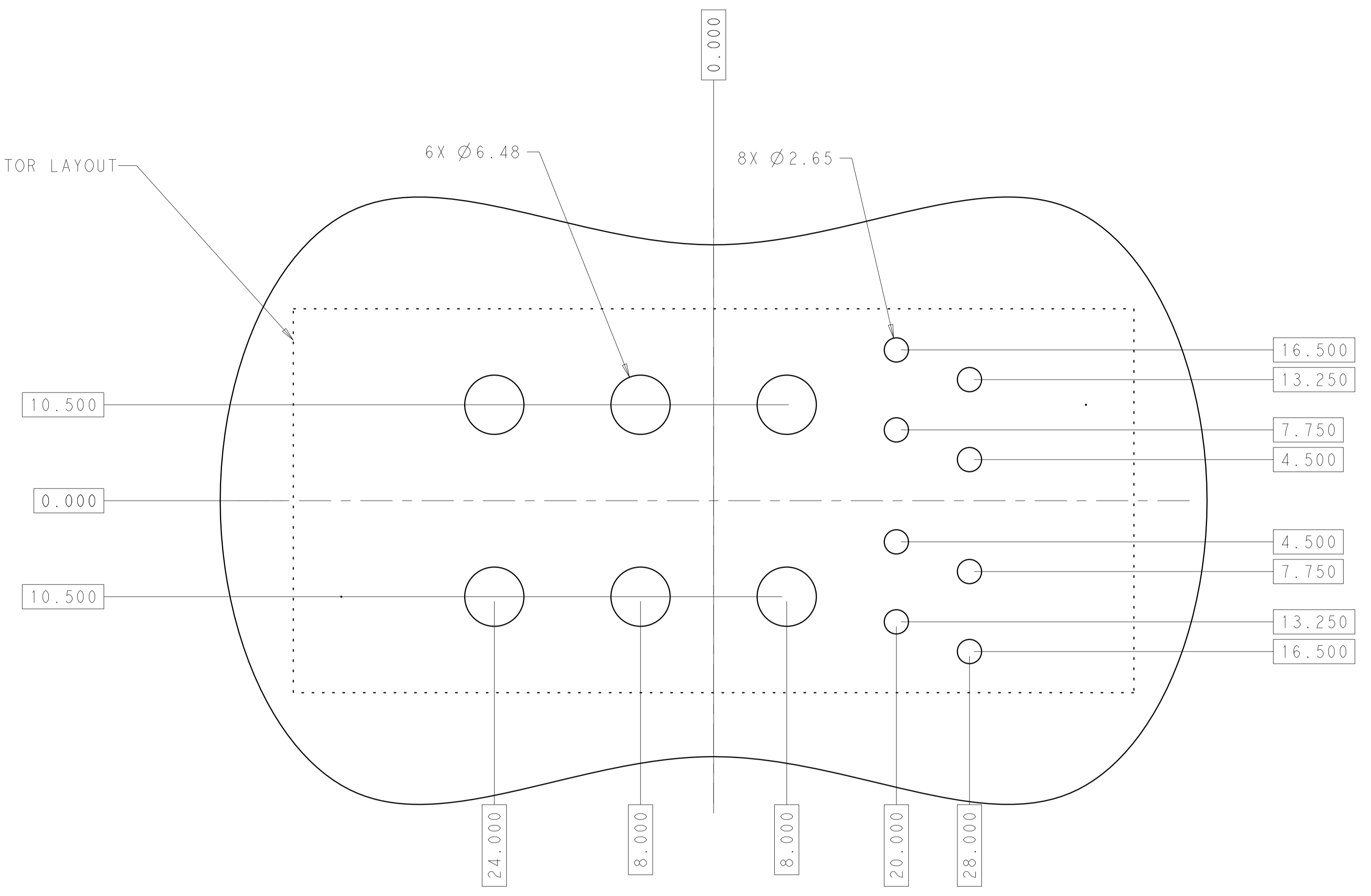
CONNECTOR, SOCKET, FORGE 0x#0,6x#4,0x#8,2x#12,0x#22,	2212369-1
DESCRIPTION	PART NO.

THIS PRINT IS  
**PRELIMINARY**  
UNQUALIFIED PRODUCT  
CONTACT PRODUCT ENGINEERING  
BEFORE USING THIS PRINT

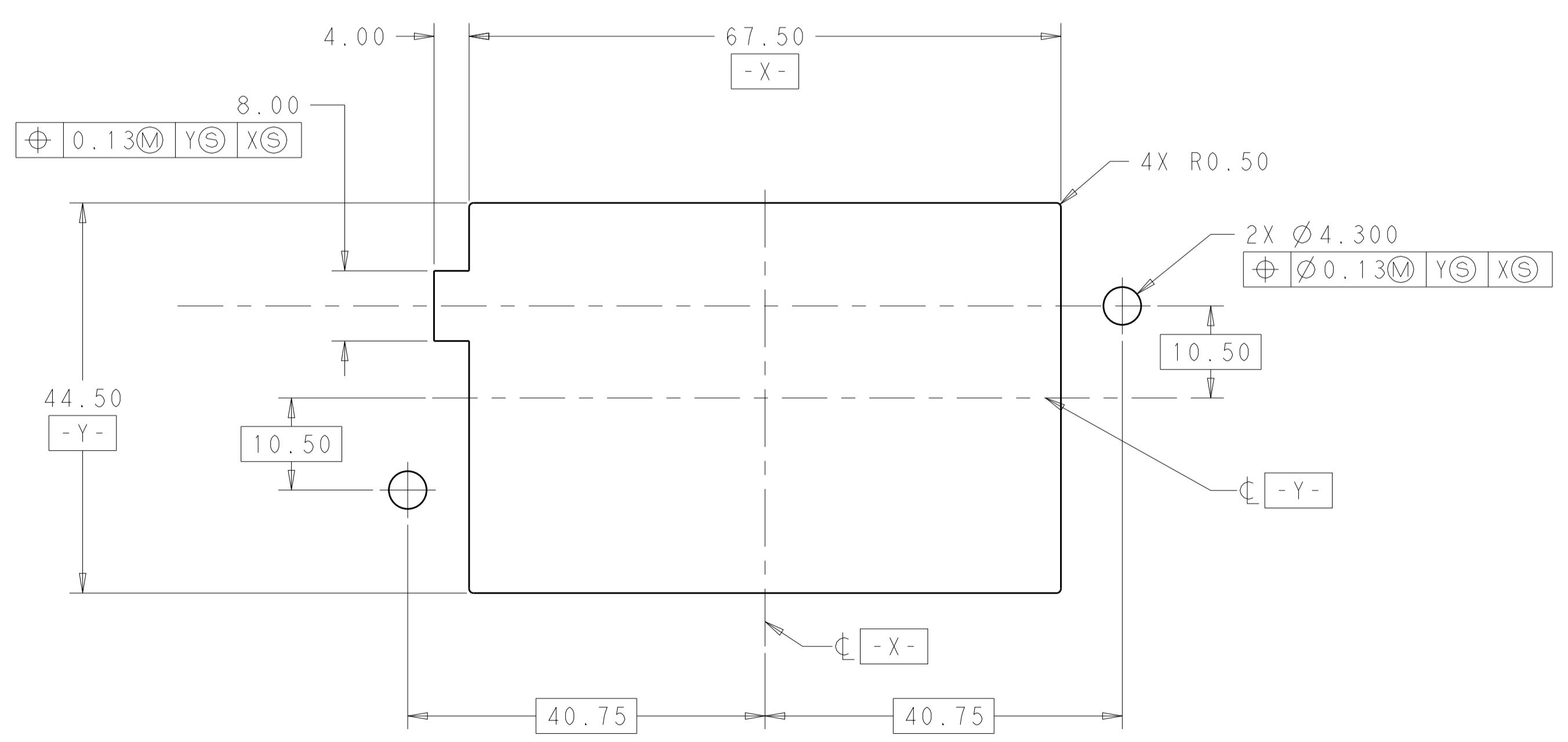
THIS DRAWING IS A CONTROLLED DOCUMENT. DIMENSIONS: mm TOLERANCES UNLESS OTHERWISE SPECIFIED: 0 PLC ±N/A 1 PLC ±N/A 2 PLC ±0.25 3 PLC ±0.13 4 PLC ±N/A ANGLES ±N/A FINISH		DWN: R. IREA 06FEB2015 CHK: E. WICKES 06FEB2015 APVD: D. ORRIS 06FEB2015 PRODUCT SPEC: 108-2323 APPLICATION SPEC: 114-13299 WEIGHT: - Customer Drawing	NAME: CONNECTOR, SOCKET, FORGE 0x#0,6x#4,0x#8,2x#12,0x#22 CONFIGURATION SIZE: A1 CAGE CODE: 00779 DRAWING NO: 2212369 RESTRICTED TO: - SCALE: 2:1 SHEET 1 OF 2 REV 1
---	--	--	---

LOC		DIST		REVISIONS			
				DESCRIPTION	DATE	DMN	APVD
-	-	-	-	SEE SHEET 1	-	-	-

CONNECTOR LAYOUT



PCB LAYOUT  
SCALE 3:1



RECOMMENDED PANEL CUTOUT  
SCALE 2:1

THIS DRAWING IS A CONTROLLED DOCUMENT.		DMN R. IREDA 06FEB2015	 TE Connectivity
DIMENSIONS: mm		CHK E. WICKES 06FEB2015	
TOLERANCES UNLESS OTHERWISE SPECIFIED:		APVD D. ORRIS 06FEB2015	NAME CONNECTOR, SOCKET, FORGE 0x#0, 6x#4, 0x#8, 2x#12, 0x#22 CONFIGURATION
0 PLC ±N/A 1 PLC ±N/A 2 PLC ±0.25 3 PLC ±0.13 4 PLC ±N/A ANGLES ±N/A		PRODUCT SPEC 108-2323	SIZE A1
MATERIAL		APPLICATION SPEC 114-13299	CAGE CODE C=2212369
FINISH		WEIGHT	RESTRICTED TO
		Customer Drawing	SCALE 2:1 SHEET 2 OF 2 REV 1