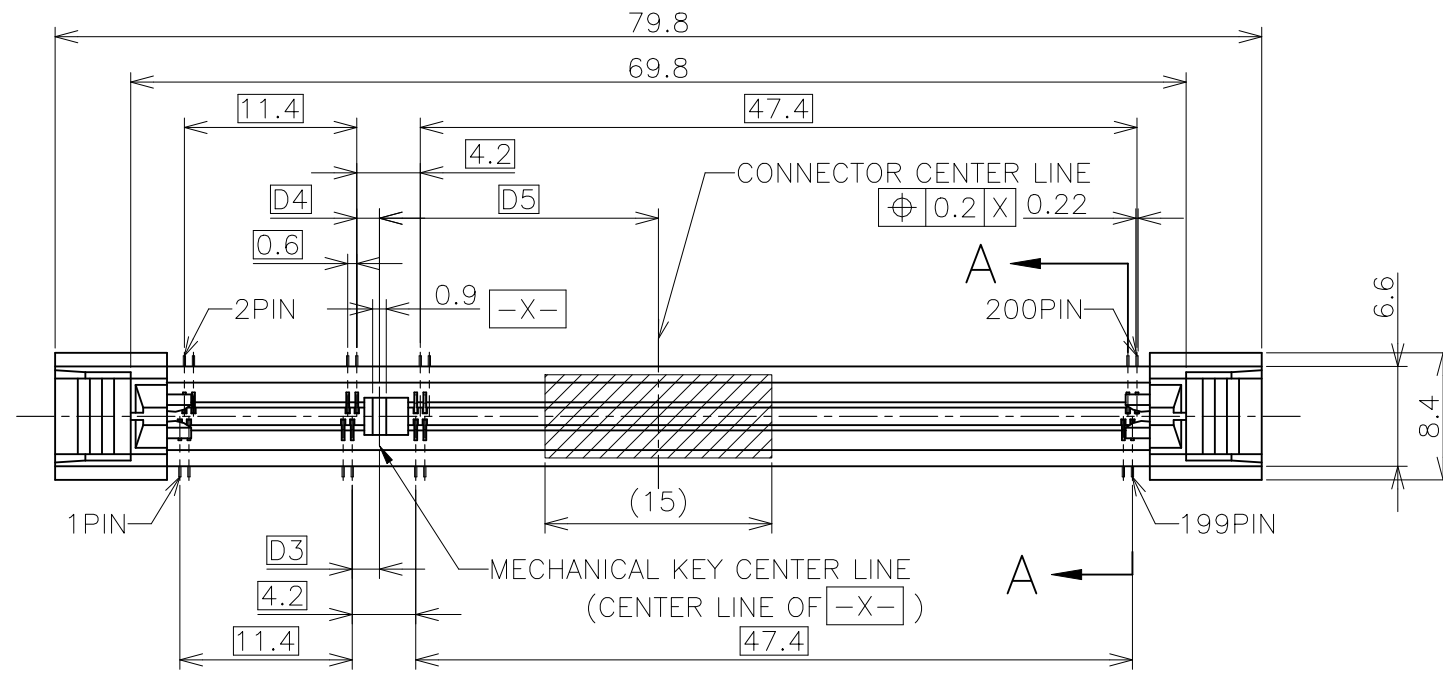
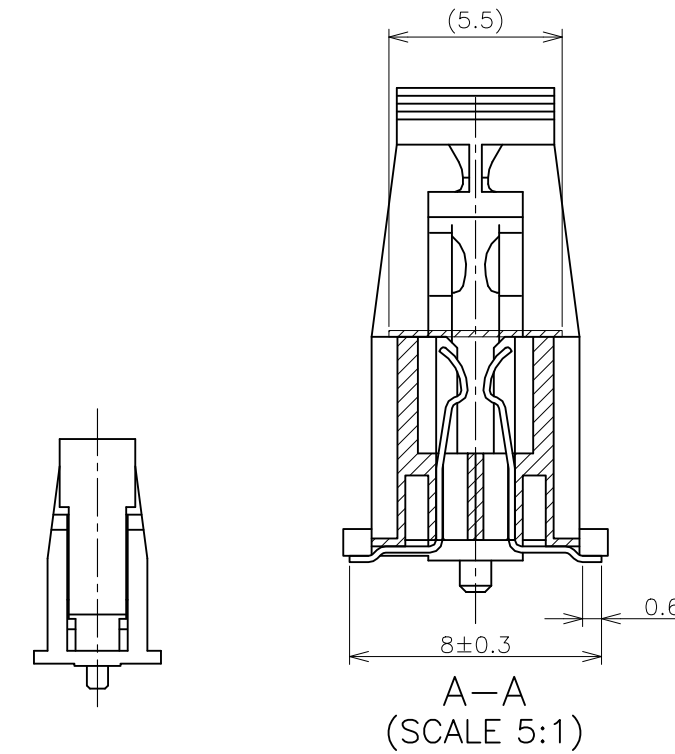
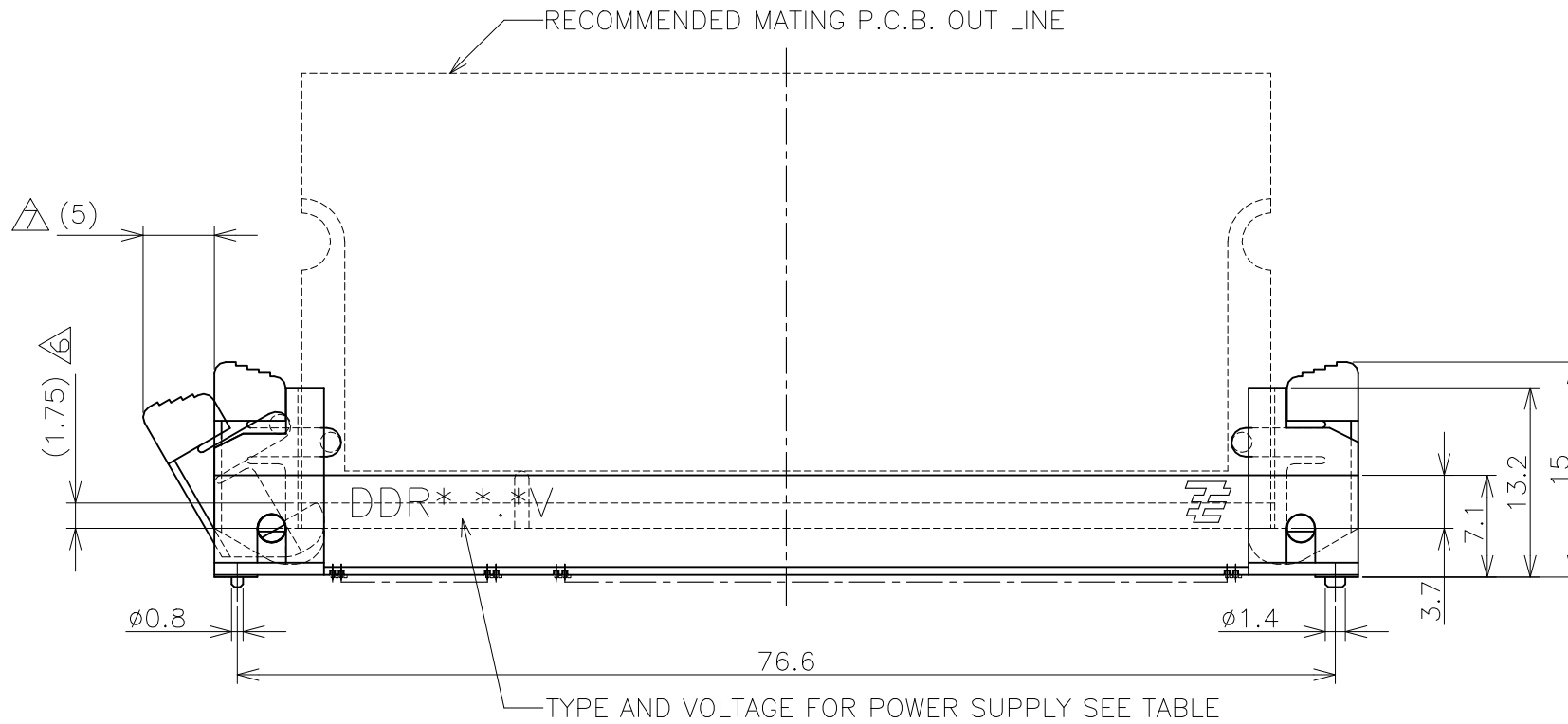


P	LTR	DESCRIPTION	DATE	DWN	APVD
D1	ECR-22-135399		11APR2022	E.Z	N.S



NOTES; (APPLIED TO SHEET 1-2)

- MATERIAL ; HOUSING: HIGH TEMPERATURE THERMO PLASTIC UL94V-0
CONTACT: COPPER ARROY
EJECOR: HIGH TEMPERATURE THERMO PLASTIC UL94V-0
 - FINISH ; CONTACT AREA: GOLD FLASH, ALL OVER NICKEL.
SOLDERING AREA: TIN PLATING, ALL OVER NICKEL.
- ⚠ MECHANICAL KEY POSITION OF CONNECTOR SEE TABLE.
 - ⚠ MODULE TYPE SEE TABLE.
 - ⚠ PWR SUPPLY SEE TABLE.
 - ⚠ THE VOLUME OF LIFTING UP BY EJECTOR.
 - ⚠ ADDITIONAL WIDTH BY EJECTING.
 - ⚠ TOLERANCES NON-CUMULATIVE.



WITHOUT TAPE	WITH TAPE	TYPE	POWER SUPPLY	D5	D4	D3	POS	PART NO.
DDR2	DDR2	1.8V	17.55	2.4	2.7	200	1-2040910-2	
DDR2	DDR2	1.8V	17.55	2.4	2.7	200	2040910-3	
DDR2	DDR2	1.8V	17.55	2.4	2.7	200	2040910-2	
DDR1	DDR1	2.5V	18.45	1.5	1.8	200	2040910-1	

THIS DRAWING IS A CONTROLLED DOCUMENT.

DWN T.FUMIKURA 20NOV2008
CHK K.IKEGAMI 20NOV2008
APVD K.IKEGAMI 20NOV2008

TE Connectivity Ltd.

NAME 名称: DDR SODIMM SOCKET 0.6mm PITCH 200POS VERTICAL TYPE

PRODUCT SPEC 製品規格: 108-78628

APPLICATION SPEC 取付適用規格

SIZE A3 CAGE CODE 00779 DRAWING NO 番号 C-2040910 RESTRICTED TO

WEIGHT 4.77g

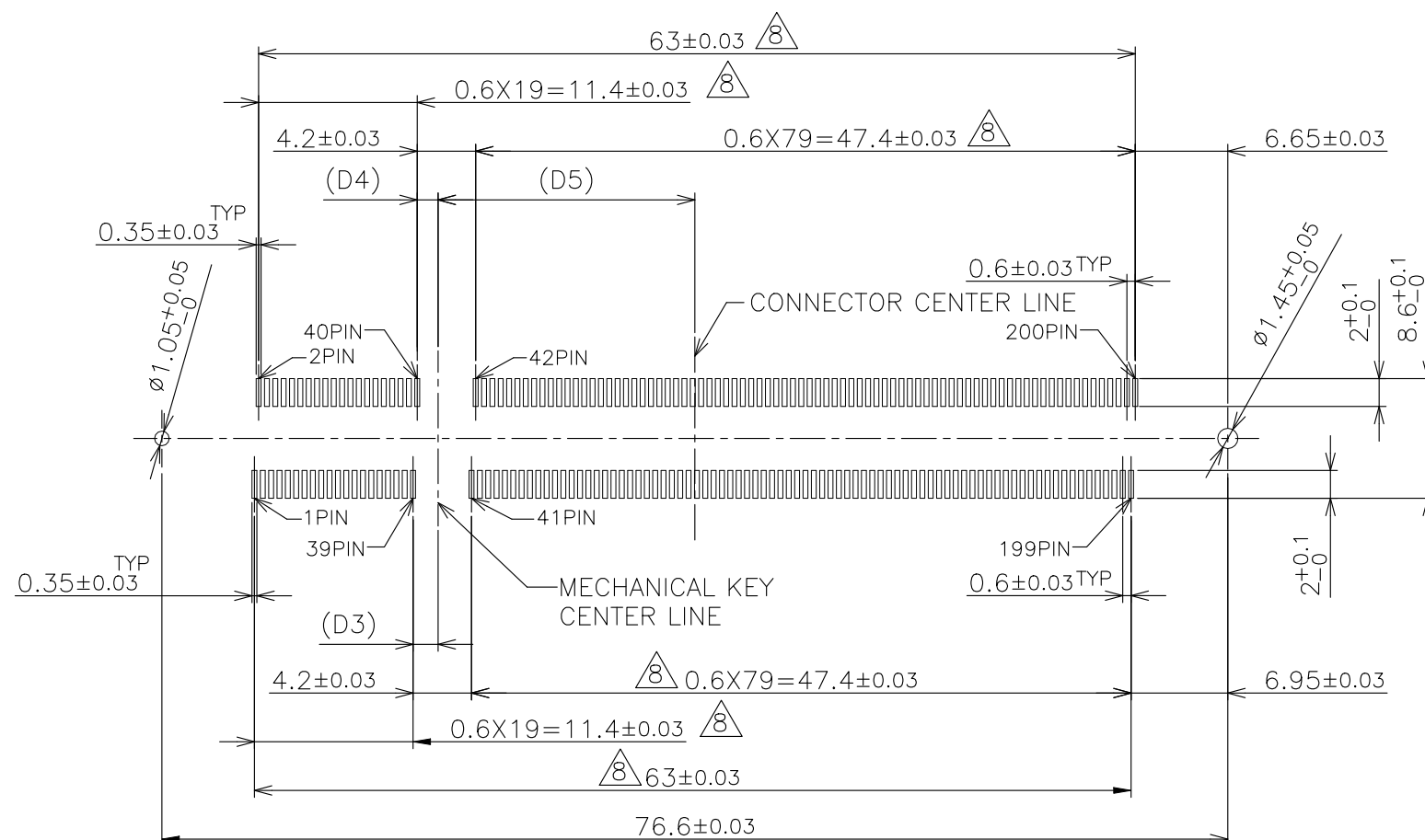
CUSTOMER DRAWING SCALE 尺度 2:1 SHEET 1 OF 5 REV D1

GENERAL TOLERANCE

10 ≥	±0.2
30 ≥	>10 ; ±0.25
100 ≥	>30 ; ±0.3
ANGLE : ±3°	

DIMENSIONS: 単位: 耗 MM	TOLERANCES UNLESS OTHERWISE SPECIFIED: 一般公差
0 PLC ± -	1 PLC ± -
2 PLC ± -	3 PLC ± -
4 PLC ± -	ANGLES ± 3°
MATERIAL 材料 SEE NOTES	FINISH 仕上 SEE NOTES

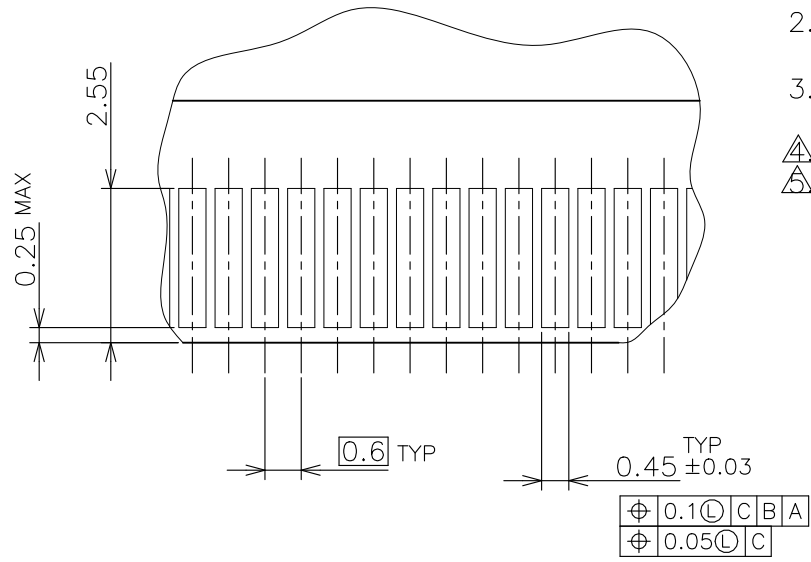
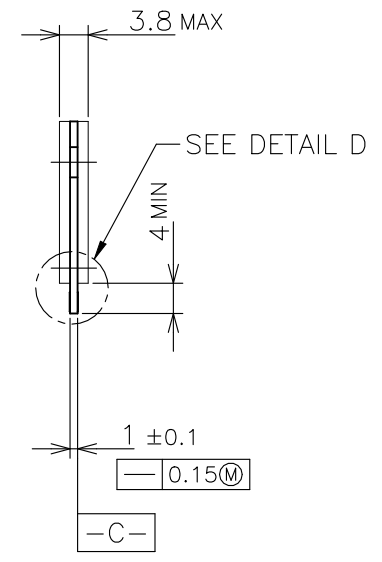
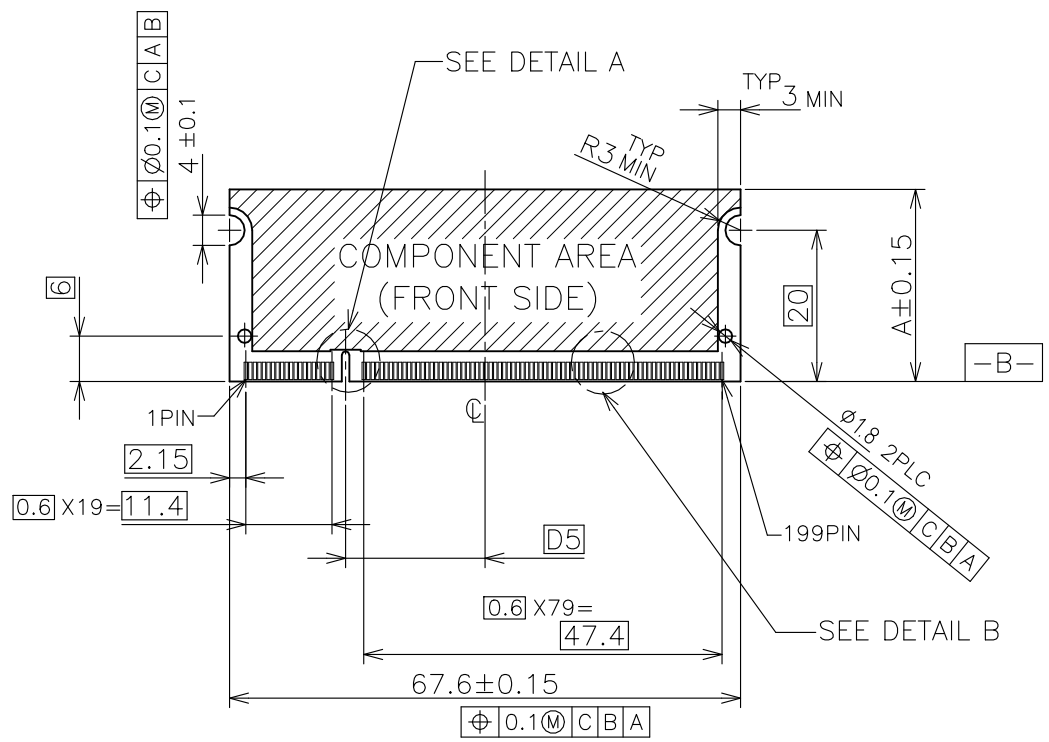
P	LTR	DESCRIPTION	DATE	DWN	APVD
-	-	SEE SHEET 1	-	-	-



REFERENCE P.C.B PATTERN LAYOUT (CONNECTOR MOUNTING SIDE)

THIS DRAWING IS A CONTROLLED DOCUMENT.		DWN	TE Connectivity Ltd.		
DIMENSIONS: 单位: 耗 MM		CHK			
TOLERANCES UNLESS OTHERWISE SPECIFIED: 一般公差		APVD	NAME 名称		
0 PLC ± - 1 PLC ± - 2 PLC ± - 3 PLC ± - 4 PLC ± - ANGLES ± 3°		PRODUCT SPEC 製品規格	DDR SODIMM SOCKET 0.6mm PITCH 200POS VERTICAL TYPE		
MATERIAL 材料 SEE NOTES		FINISH 仕上 SEE NOTES	APPLICATION SPEC 取付適用規格	SIZE A3	CAGE CODE 00779
		WEIGHT	DRAWING NO 番号 C-2040910	RESTRICTED TO	
CUSTOMER DRAWING			SCALE 尺度 2:1	SHEET 2 OF 5	REV D1

REVISIONS 変更					
P	LTR	DESCRIPTION	DATE	DWN	APVD
-	-	SEE SHEET 1	-	-	-

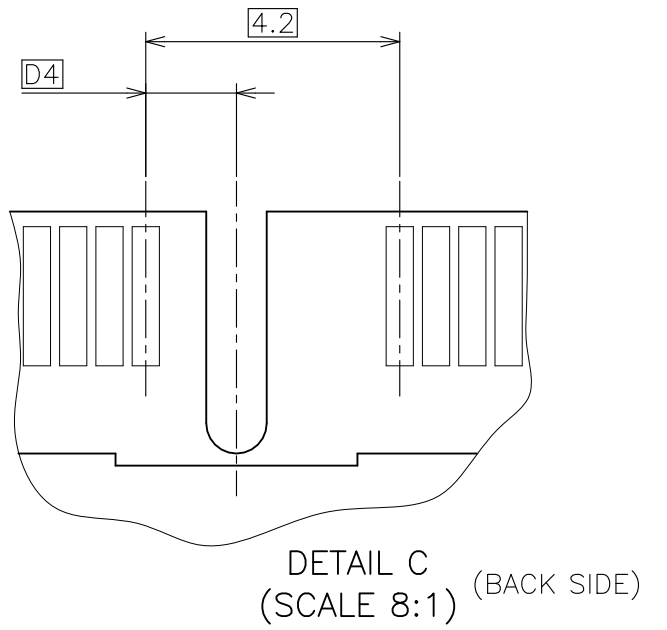
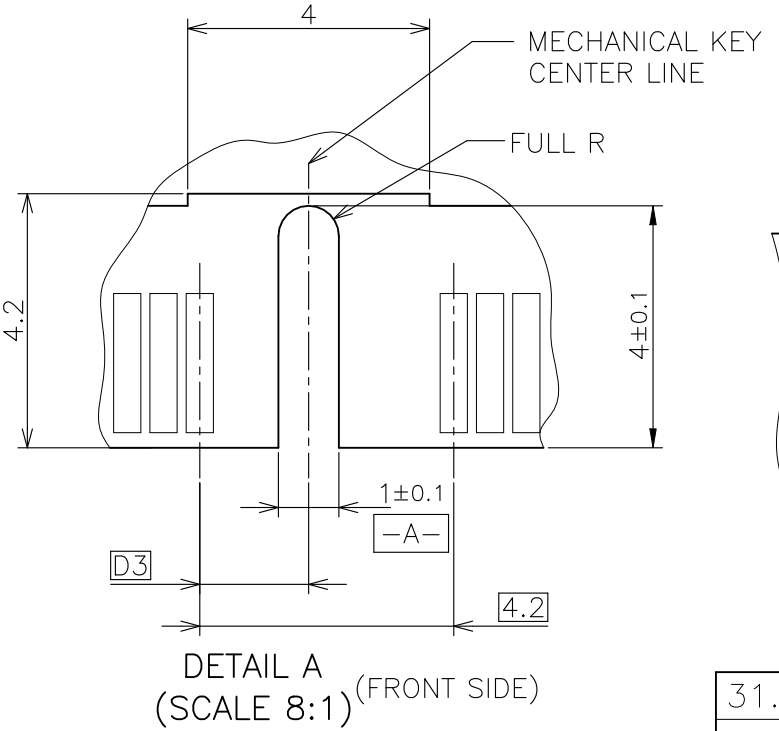
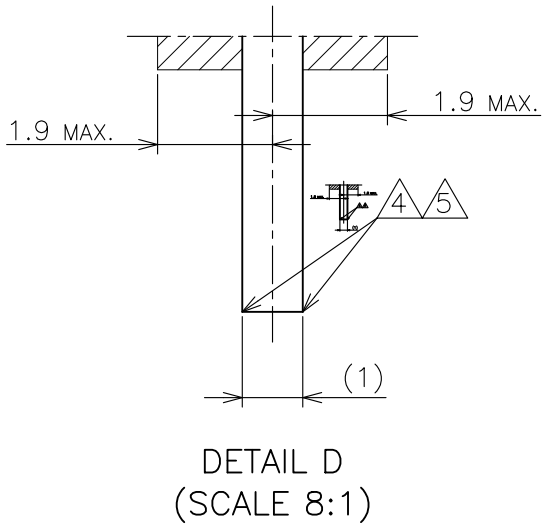
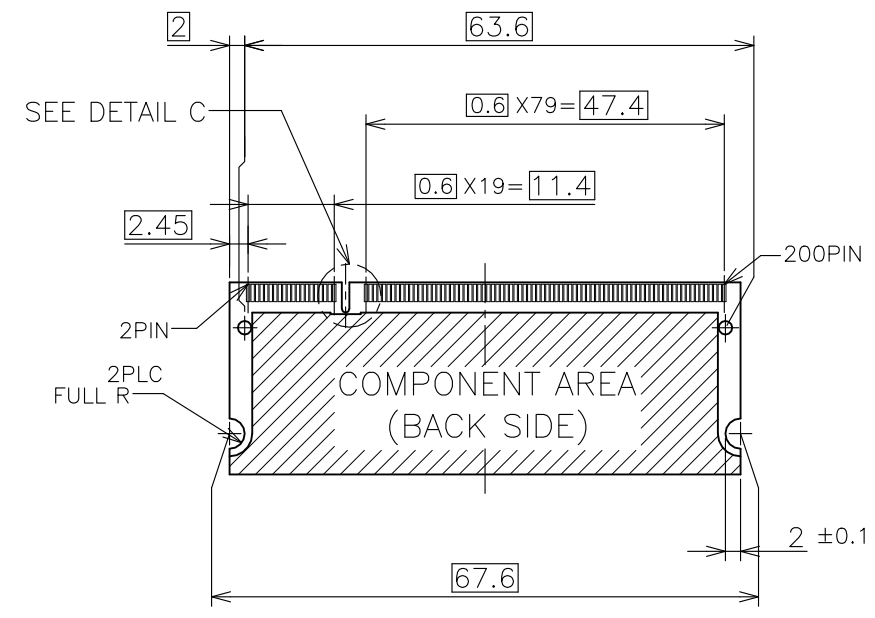


NOTES: (APPLIED TO SHEET 3)

1. TOLERANCES ON ALL DIMENSIONS ± 0.15 UNLESS OTHERWISE SPECIFIED.
2. P.C. BOARD THICKNESS APPLIES ACROSS TABS AND INCLUDES PLATING AND/OR METALIZATION.
3. FINISH OF PAD : GOLD PLATING 0.00076 MIN. OVER Ni PLATING 0.002 MIN.

△ NO BURR

△ CHAMFER 0.25 MAX x 45° IF EXIST.



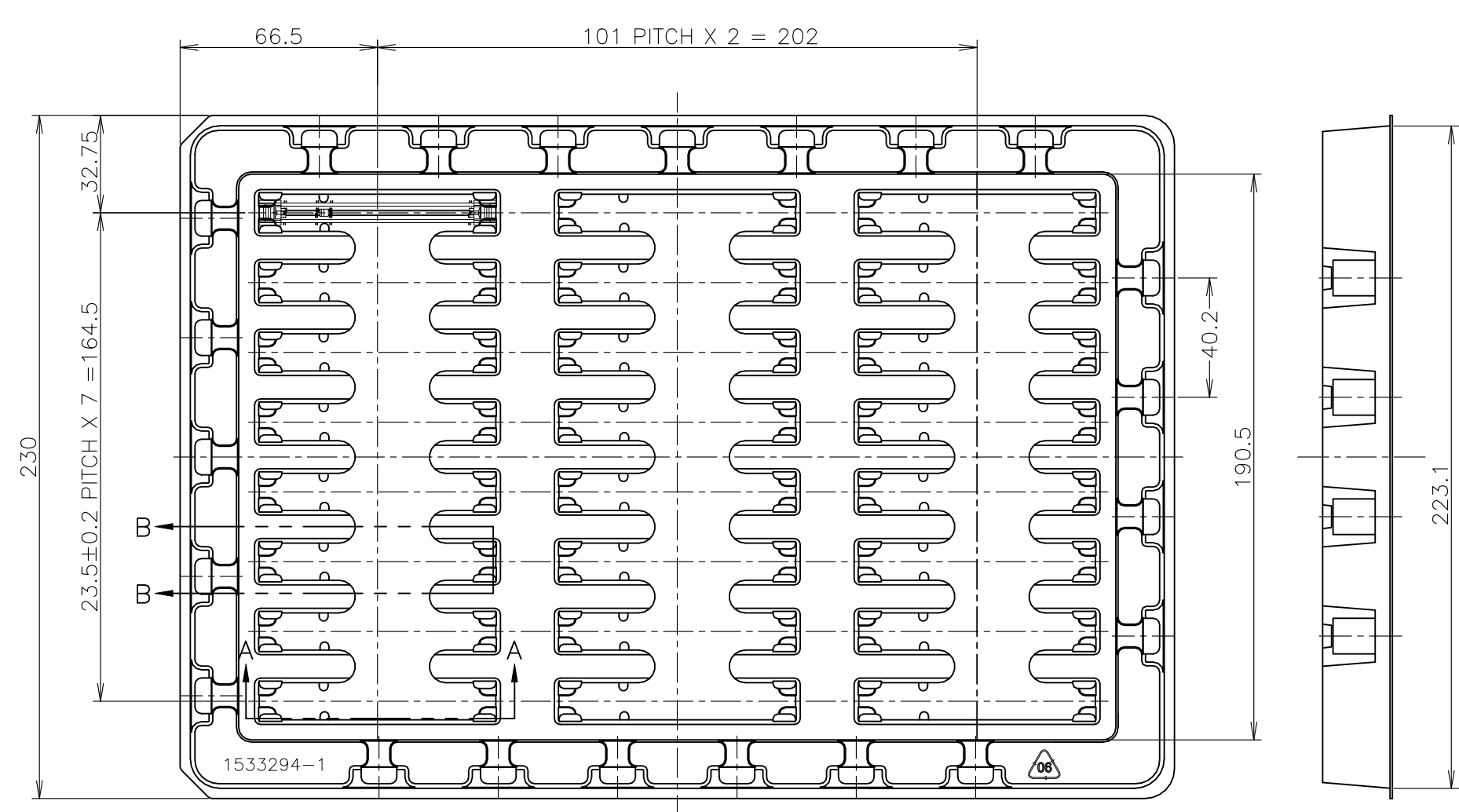
REFERENCE MATING P.C.B CONFIGURATION

31.75	1.8V	17.55	2.4	2.7
25.4	2.5V	18.45	1.5	1.8
A	POWER SUPPLY	D5	D4	D3

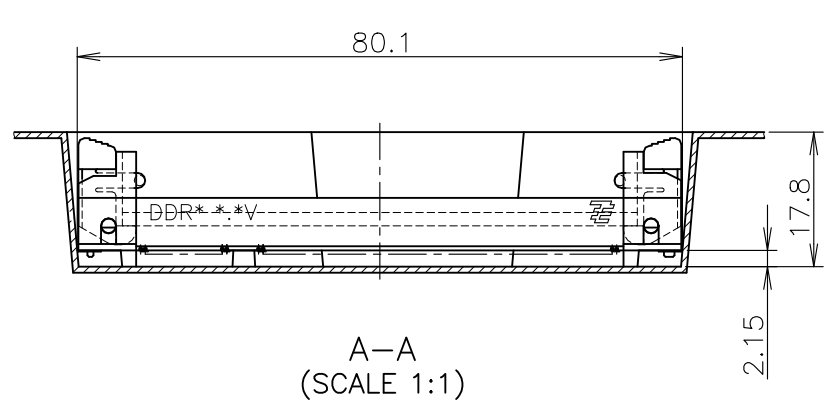
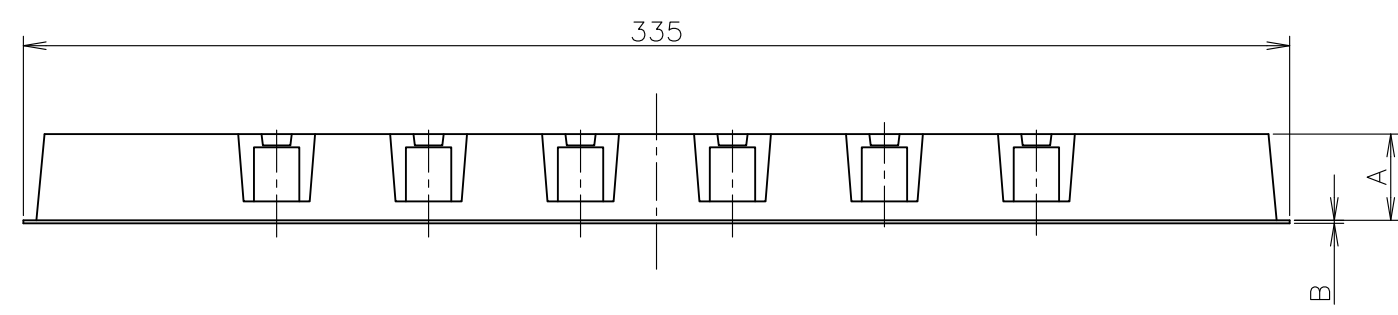
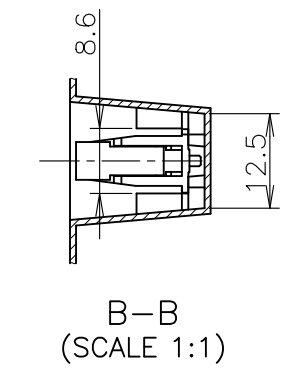
THIS DRAWING IS A CONTROLLED DOCUMENT.		DWN	TE Connectivity Ltd.		
DIMENSIONS: 單位: 耗 MM		CHK			
TOLERANCES UNLESS OTHERWISE SPECIFIED: 一般公差		APVD			
0 PLC ± - 1 PLC ± - 2 PLC ± - 3 PLC ± - 4 PLC ± - ANGLES ± -		NAME 名称			
MATERIAL 材料		WEIGHT	DDR SODIMM SOCKET 0.6mm PITCH 200POS VERTICAL TYPE		
FINISH 仕上		SIZE		CAGE CODE	DRAWING NO 番号
0 PLC ± - 1 PLC ± - 2 PLC ± - 3 PLC ± - 4 PLC ± - ANGLES ± -		A3		00779	C-2040910
CUSTOMER DRAWING		SCALE 尺度 1:1		SHEET 3 of 5	REV D1

© - TE Connectivity. All Rights Reserved.

REVISIONS 変更					
P	LTR	DESCRIPTION	DATE	DWN	APVD
-	-	SEE SHEET 1	-	-	-



- (APPLIED TO SHEET 4)
1. THE DIRECTION OF EACH CONNECTOR ON A TRAY IS REFERRED TO THIS DRAWING.
 2. GENERAL TOLERANCE: ± 0.5 , $\pm 3^\circ$



1.2	18.8	384EA	96EA	24EA	2040910-3
1.2	22.8	384EA	96EA	24EA	2040910-2
1.2	22.8	384EA	96EA	24EA	2040910-1
B	A	QTY/SHIPPING BOX	QTY/INNER BOX	QTY/TRAY	PART NO.

THIS DRAWING IS A CONTROLLED DOCUMENT.

DIMENSIONS: 單位: 耗 MM	TOLERANCES UNLESS OTHERWISE SPECIFIED: 一般公差	DWN	TE Connectivity Ltd.
0 PLC ± 0.5 1 PLC ± 0.5 2 PLC ± 0.5 3 PLC ± 0.5 4 PLC ± 0.5 ANGLES $\pm 3^\circ$		CHK	
MATERIAL 材料	FINISH 仕上	APVD	DDR SODIMM SOCKET 0.6mm PITCH 200POS VERTICAL TYPE
		PRODUCT SPEC 製品規格	SIZE
		APPLICATION SPEC 取付適用規格	CAGE CODE
		WEIGHT	DRAWING NO 番号
			RESTRICTED TO
			A3 00779 C-2040910
			CUSTOMER DRAWING
			SCALE 尺度 1:2
			SHEET 4 OF 5
			REV D1

4

3

2

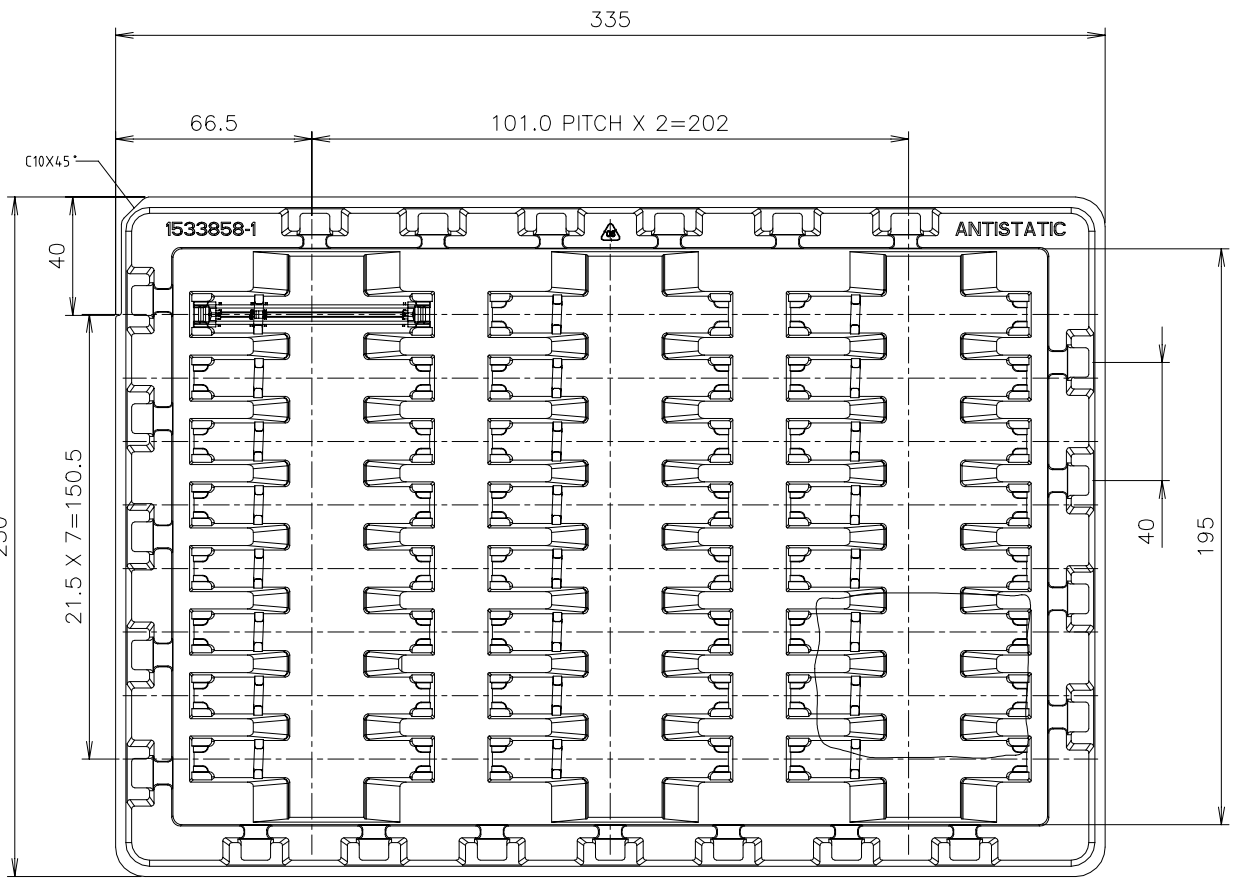
1

© - TE Connectivity. All Rights Reserved.

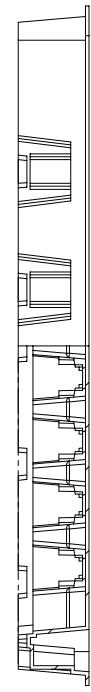
REVISIONS				
変更				
P	LTR	DESCRIPTION	DATE	APVD
-	-	SEE SHEET 1	-	-

D

D



- (APPLIED TO SHEET 5)
1. THE DIRECTION OF EACH CONNECTOR ON A TRAY IS REFERRED TO THIS DRAWING.
 2. GENERAL TOLERANCE: ± 0.5 , $\pm 3^\circ$



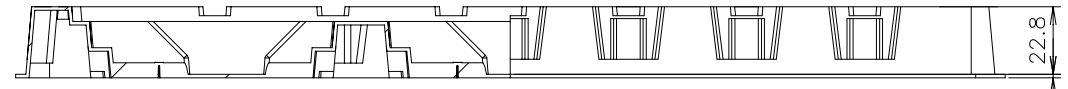
B-B

C

C

B

B



A-A

A

A

384EA	96EA	24EA	1-2040910-2
QTY/SHIPPING BOX	QTY/INNER BOX	QTY/TRAY	PART NO.

THIS DRAWING IS A CONTROLLED DOCUMENT.		DWN	STE TE Connectivity Ltd.				
		CHK					
DIMENSIONS: 單位: 毫米	TOLERANCES UNLESS OTHERWISE SPECIFIED: 一般公差	APVD	NAME 名称 DDR SODIMM SOCKET 0.6mm PITCH 200POS VERTICAL TYPE				
	0 PLC $\pm -$	PRODUCT SPEC 製品規格	SIZE	CAGE CODE	DRAWING NO 番号	RESTRICTED TO	
	1 PLC $\pm -$	APPLICATION SPEC 取付適用規格	A3	00779	C-2040910		
	2 PLC $\pm -$		WEIGHT	0.000000		SCALE 尺度	1:1
	3 PLC $\pm -$		CUSTOMER DRAWING			SHEET	5 OF 5
4 PLC $\pm -$					REV	D1	
ANGLES $\pm -$							
MATERIAL 材料	FINISH 仕上						