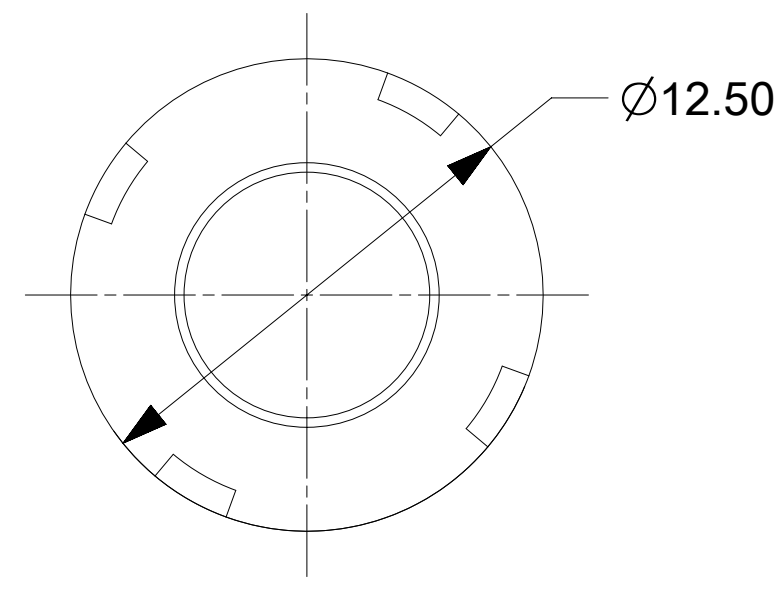


RECOMMENDED PCB AND BUSBAR LAYOUT



PART NUMBER	DIMENSION "L"
203263-3280	20.65
203263-3380	30.65
203263-3480	29.15
203263-3580	25.50
203263-3780	17.65
203263-3880	27.05
203263-5180	16.00
203263-5280	20.00
203263-5380	26.00
203263-5480	36.00
203263-5580	48.00
203263-5680	24.50

NOTES:

1. MATERIALS:  
BASE METAL: HIGH CONDUCTIVE COPPER ALLOY  
PLATING ON BODY: 3.18 MICRON MIN SILVER OVER 1.27 MICRON MIN NICKEL
2. PRODUCT SPECIFICATION: 2043130001-PS
3. APPLICATION SPECIFICATION: 2043130001-AS
4. PACKAGING SPECIFICATION: 2032630006-PK
5. SILVER COMPONENTS WILL BE SUPPLIED TARNISH FREE BUT MAY TARNISH OVER TIME.
6. MINIMUM RECOMMENDED PCB THICKNESS IS 1.58MM

THIS DRAWING CONTAINS INFORMATION THAT IS PROPRIETARY TO MOLEX ELECTRONIC TECHNOLOGIES, LLC AND SHOULD NOT BE USED WITHOUT WRITTEN PERMISSION			
DIMENSION UNITS <b>mm</b>	SCALE <b>5:1</b>	CURRENT REV DESC: ADDED NEW PART NO: 203263-5680	
GENERAL TOLERANCES (UNLESS SPECIFIED)		<p><b>molex</b></p> <p>SENTRALITY 8.00MM MALE TERMINAL SURFACE MOUNT</p> <p>PRODUCT CUSTOMER DRAWING</p>	
ANGULAR TOL	± 0.5°		
4 PLACES	±		
3 PLACES	±		
2 PLACES	± 0.15		
1 PLACE	± 0.25	EC NO: 726284	
0 PLACES	±	DRWN: GJEEVANSURES	2022/08/01
DRAFT WHERE APPLICABLE MUST REMAIN WITHIN DIMENSIONS		CHK'D: SUVARS	2022/10/27
THIRD ANGLE PROJECTION		APPR: GSHARMA	2022/10/28
DRAWING		INITIAL REVISION:	
D-SIZE		DRWN: RLOW	2019/07/24
203263		APPR: BPISZCZOR	2019/07/25
SERIES		DOCUMENT NUMBER	DOC TYPE
MATERIAL NUMBER		2032633080-SD	PSD
CUSTOMER		000	REVISION
SEE TABLE		A3	
GENERAL MARKET		SHEET NUMBER	
1 OF 1			