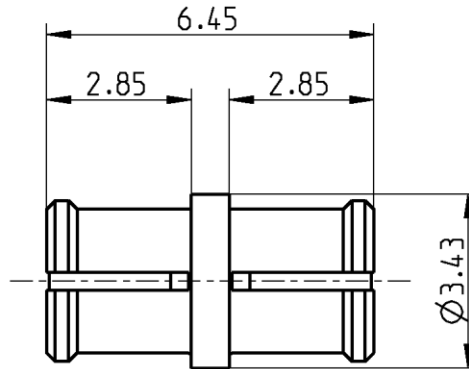


SMP

Adaptor
Jack - Jack

19K101-K00L5



All dimensions are in mm; tolerances according to ISO 2768 m-H

Interface

According to MIL-STD-348

Documents

N/A

Material and plating

Connector parts

Center contact
Outer contact
Dielectric

Material

CuBe
CuBe
PTFE

Plating

AuroDur®, gold plated
AuroDur®, gold plated

Dieses Dokument ist urheberrechtlich geschützt • This document is protected by copyright • Rosenberger Hochfrequenztechnik GmbH & Co. KG

RF_35/09.14/6.2

Electrical data

Impedance	50 Ω
Frequency	DC to 26.5 GHz
Return loss	≥ 26 dB, DC to 4 GHz ≥ 20 dB, 4 to 12 GHz ≥ 13 dB, 12 to 18 GHz
Insertion loss	≤ 0.05 x √f(GHz) dB, DC to 18 GHz
Insulation resistance	≥ 5 GΩ
Center contact resistance	≤ 6.0 mΩ
Outer contact resistance	≤ 2.0 mΩ
Test voltage	500 V rms
Working voltage	335 V rms
Contact Current	1.2A DC max.

Mechanical data

Mating cycles	
if mating part is smooth bore	≥ 1000
if mating part is limited detent	≥ 500
if mating part is full detent	≥ 100
Center contact captivation	≥ 7 N
Engagement force	
- smooth bore	9 N max.
- limited detent	45 N max.
- full detent	68 N max.
Disengagement force	
- smooth bore	2.2 N min.
- limited detent	9 N min.
- full detent	22 N min.

Environmental data

Temperature range	-65°C to +155°C
Thermal shock	MIL-STD-202, Method 107, Condition B
Vibration	MIL-STD-202, Method 204, Condition B
Shock	MIL-STD-202, Method 213, Condition A
Moisture resistance	MIL-STD-202, Method 106
RoHS	compliant

Tooling

N/A

Suitable cables

N/A

Weight

Weight 0.17 g/pce

While the information has been carefully compiled to the best of our knowledge, nothing is intended as representation or warranty on our part and no statement herein shall be construed as recommendation to infringe existing patents. In the effort to improve our products, we reserve the right to make changes judged to be necessary.

For the installation of the electrotechnical equipment, particular electrotechnical expertise is required.



Draft	Date	Approved	Date	Rev.	Engineering change number	Name	Date
Rong Fang	25.04.07	Chr. Janßen	22.10.20	g00	20-1927	S. Huber-Siegl	22.10.20
Rosenberger Hochfrequenztechnik GmbH & Co. KG P.O.Box 1260 D-84526 Tittmoning Germany www.rosenberger.de						Tel. : +49 8684 18-0 Email : info@rosenberger.de	
						Page 2 / 2	