

THIS DRAWING IS UNPUBLISHED.

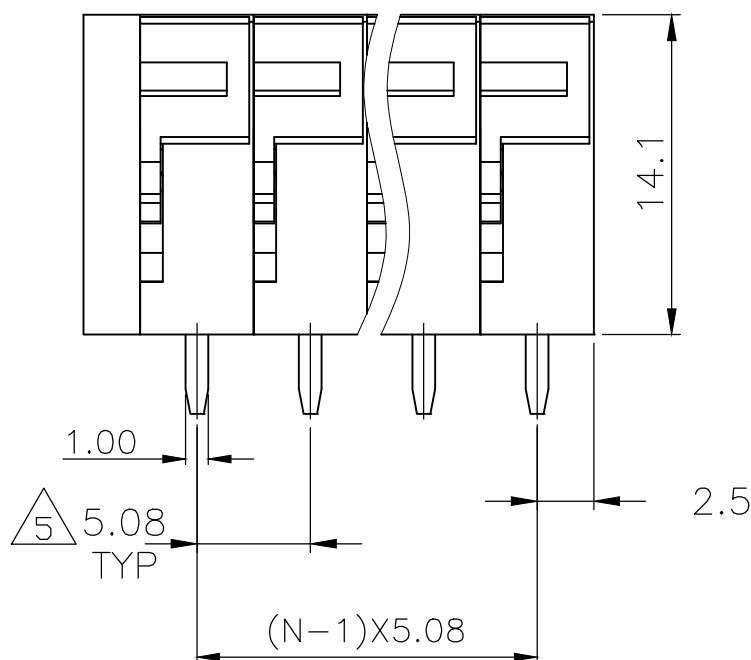
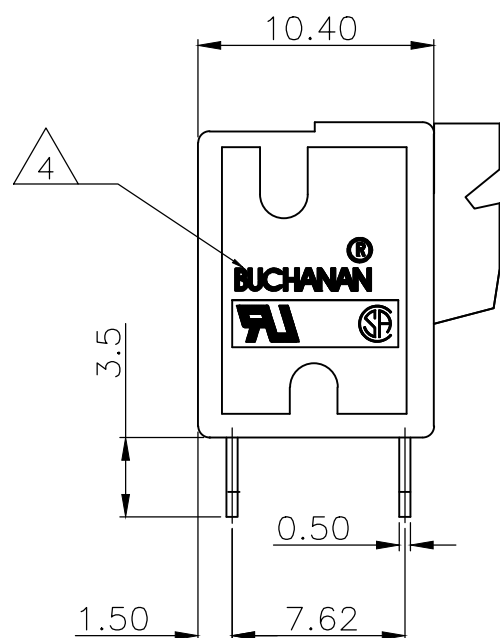
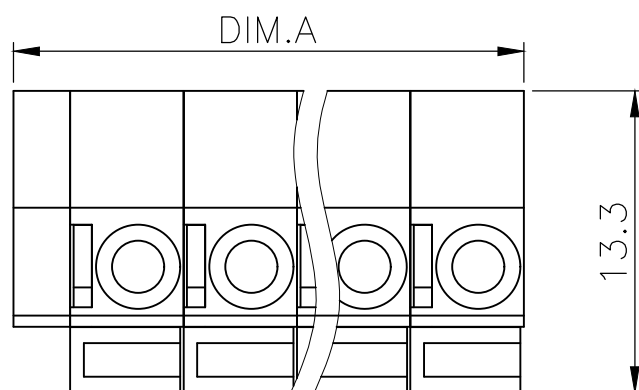
RELEASED FOR PUBLICATION

ALL RIGHTS RESERVED.

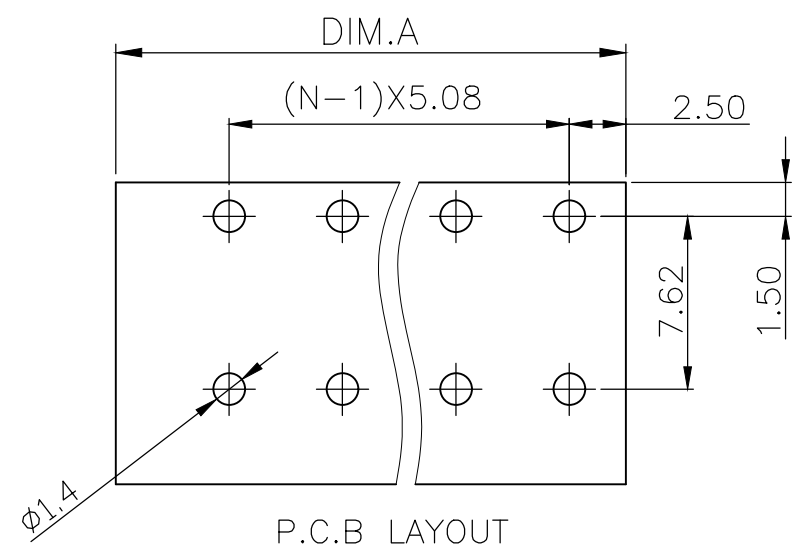
© COPYRIGHT - By -

REVISIONS

P	LTR	DESCRIPTION	DATE	DWN	APVD
	R	DESIGN IMPROVEMENT	22JUL2019	RK	PS



63.46	12	1-1776260-2
58.38	11	1-1776260-1
53.30	10	1-1776260-0
48.22	9	1776260-9
43.14	8	1776260-8
38.06	7	1776260-7
32.98	6	1776260-6
27.90	5	1776260-5
22.82	4	1776260-4
17.74	3	1776260-3
12.66	2	1776260-2
DIM. A	NO. OF POS.	PART NUMBER




N=NUMBER OF CONTACTS

THIS DRAWING IS A CONTROLLED DOCUMENT.

DIMENSIONS:	TOLERANCES UNLESS OTHERWISE SPECIFIED:
mm	
	0 PLC ± -
	1 PLC ± 0.3
	2 PLC ± 0.2
	3 PLC ± -
	4 PLC ± -
	ANGLES ± -
	FINISH ± -

DWN	S SCHLEGEL	5/6/05
CHK	C RICHARD	5/6/05
APVD	C RICHARD	5/6/05
PRODUCT SPEC		
APPLICATION SPEC		
WEIGHT	-	

 TE Connectivity Ltd.				NAME	
				TERMINAL BLOCK, BOARD MT. SCREWLESS TOP WIRE ENTRY, 5.08mm PITCH	
SIZE	CAGE CODE	DRAWING NO	RESTRICTED TO		
A3	00779	C-1776260	-		

CUSTOMER DRAWING SCALE NTS SHEET 1 OF 2 REV R

THIS DRAWING IS UNPUBLISHED. RELEASED FOR PUBLICATION
 © COPYRIGHT - By - ALL RIGHTS RESERVED.

REVISIONS					
P	LTR	DESCRIPTION	DATE	DWN	APVD
-	-	SEE SHEET 1	-	-	-


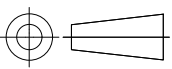
1. MATERIAL:
 HOUSING: POLYAMIDE, UL94V-0, GREEN.
 CONTACT: COPPER ALLOY, TIN PLATED.
 WIRE GUARD: STAINLESS STEEL.
2. ELECTRICAL:
 MAX. CURRENT RATING: 10 A.
 CONTACT RESISTANCE: 20mΩ MAX.
 INSULATION RESISTANCE: 500MΩ/500VAC.
 DIELECTRIC WITHSTANDING VOLTAGE: 2000VAC MIN.
 OPERATING VOLTAGE: 300VAC.
 WIRE RANGE: 14-22AWG.
3. MECHANICAL:
 WIRE RETENTION FORCE: 1.2 KG (MIN).
 OPERATING TEMPERATURE: -55°C TO +105°C.

APPLICATION AND FEATURES:

- THIS SCREWLESS TERMINALS ARE SUITABLE FOR BOTH SOLID AND STRANDED CONDUCTORS.
- A SPRING MADE OF STAINLESS STEEL GUARANTEES FOR PERMANENT AND SAFE CONTACT.
- THIS IS OPERATED BY PUSHING A SCREW DRIVER ON THE LEVER. THIS LEVER IS FULLLY INTEGRATED INTO THE BODY.

4 BUCHANAN LOGO, UL & CSA LOGO'S LOCATED APPROX. AS SHOWN.
 TEXT MUST BE LEGIBLE.

5 NON CUMULATIVE

THIS DRAWING IS A CONTROLLED DOCUMENT.		DWN S SCHLEGEL	5/6/05	 TE Connectivity Ltd.					
DIMENSIONS: mm		CHK C RICHARD	5/6/05						
		APVD C RICHARD	5/6/05	NAME TERMINAL BLOCK, BOARD MT. SCREWLESS TOP WIRE ENTRY, 5.08mm PITCH					
TOLERANCES UNLESS OTHERWISE SPECIFIED:		PRODUCT SPEC		APPLICATION SPEC					
0 PLC ± - 1 PLC ± 0.3 2 PLC ± 0.2 3 PLC ± - 4 PLC ± - ANGLES ± -		WEIGHT		SIZE	CAGE CODE	DRAWING NO	RESTRICTED TO		
MATERIAL		FINISH		A3 00779		C=1776260	-		
CUSTOMER DRAWING				SCALE	NTS	SHEET	2 OF 2	REV	R