



Mechanical Products Company

# SERIES 17

RAISING THE BAR  
MP - COUNT ON IT

High Amperage 25 to 300 AMP

Type I & III Vehicle Protection

IP67 Waterproof

SAE & ABYC Compliant

Ignition-Protected

LED TripID™ Option



## SUPERIOR CIRCUIT PROTECTION

[www.mechprod.com](http://www.mechprod.com)

## Series 17 Overview

### FEATURES:

48 VDC maximum for 25 - 150 Amp  
 30 VDC maximum for 175 - 200 Amp  
 Trip-free operation  
 Standard Terminations in Surface  
 and Panel Mount (S0 and P0)  
 Easy Access Terminations for  
 Surface and Panel Mount (S1, S3, P1,)

- Auto, manual, or switching option
- Visible trip indication
- Available with 1/4" and 3/8" Stainless  
 - Steel Terminal Studs and Sems Nuts
- Waterproof
- Ignition-protected
- Improved Robust Design

## Series 17 Specifications

<b>Standard Amp Ratings</b>	25, 30, 35, 40, 50, 60, 70, 80, 90, 100, 110, 120, 135, 150, 175, 200, 225, 250, 275, and 300 Amps
<b>Maximum Voltage Ratings</b>	Type III: 48 VDC (25 -150A); 30 VDC (175 - 200A); 14VDC (225 - 250A) Type I: 30 VDC auto-reset (25 - 200A); 14VDC (225 - 300A)
<b>Ultimate Trip</b>	Must Hold 100% at 25°C/77°F Must Trip at 135% within 1 hour.
<b>Dielectric Strength</b>	1,500VAC Minimum
<b>Interrupt Capacity (25 - 150A)</b>	3,000A @ 14VDC (Type III) 1,500A @ 48VDC (Type III) 3,000A @ 30VDC (Type I)
<b>Interrupt Capacity (175 - 200A)</b>	2,500A @ 14VDC (Type III) 1,500A @ 30VDC (Type I and Type III)
<b>Interrupt Capacity (225 - 300A)</b>	2,500A, 14VDC per SAE J1625 (Type I) 225A, 250A, 275A, 300A 1,500A, 14VDC per SAE J1625 (Type III manual reset) 225A & 250A 1,500A, 14VDC ABYC Main Rated (Type III manual reset) 225A & 250A
<b>Endurance (25 - 150A)</b>	14VDC @ 100 cycles, 6X rating (Type I & Type III) 28VDC @ 100 cycles, 2X rating (Type III) 30VDC @ 100 cycles, 2X rating (Type I) 48VDC @ 50 cycles, 1.5X rating (Type III)
<b>Endurance (175 - 200A)</b>	14VDC @ 100 cycles, 6X rating (Type I, Type III 175A) 14VDC @ 50 cycles, 4X rating (Type III 200A) 28VDC @ 50 cycles, 2X rating (Type III) 30VDC @ 100 cycles, 2X rating (Type I)
<b>Endurance (225 - 300A)</b>	500 cycles, 200% 14VDC per SAE J1625 (Type I) 225A, 250A, 275A, 300A 50 cycles, 200% 14VDC per UL1077/SAE J1625 (Type III manual reset) 225A & 250A
<b>Operating Temperature Range</b>	-40°C/-40°F to 85°C/185°F
<b>Weight</b>	Panel Mount: 3.1 oz. (88 gm.) Surface Mount: 4.0 oz. (114 gm.)
<b>Ignition Protected</b>	Compliant to SAE J1171
<b>Ingress Protection</b>	IP67 dust and waterproof rated - protection against immersion up to 1 meter of water for 30 minutes.
<b>Corrosion</b>	Conforms to Mil-STD-202, Method 101, Test Condition A, for 96 hours under a 5% salt Spray.
<b>Humidity</b>	Conforms to Mil-STD-202, Method 106, for 240 hours at 95% RH.
<b>Shock</b>	Rated to withstand 100g per Mil-STD-202, Method 213, Test Condition A.
<b>Vibration</b>	Rated to withstand 10g per Mil-STD-204, Test Condition A.
<b>Regulatory Compliance Summary</b>	Interrupt Capacity: SAE J1625, ABYC-E11, UL1077* Ignition Protected: SAE J1171 Endurance: SAE J1625 Dielectric Strength: UL1077* Shock, Vibration, Corrosion, Humidity: Mil-STD-202 Dust and Waterproof: IP67

\*tested per UL1077 methods



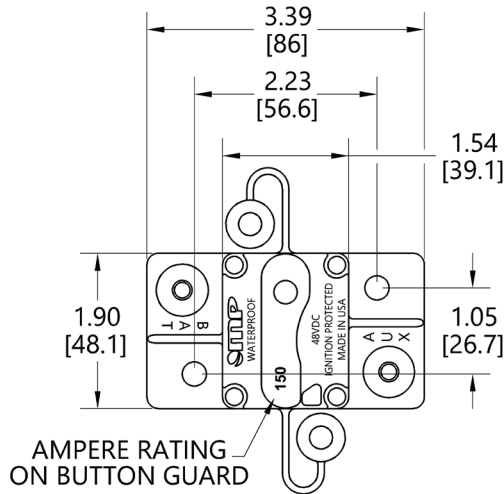
1112 N. Garfield St. Lombard, IL 60148 helpme@mechprod.com  
 phone 630 | 953 | 4100 fax 630 | 953 | 4110 www.mechprod.com

Specifications subject to change

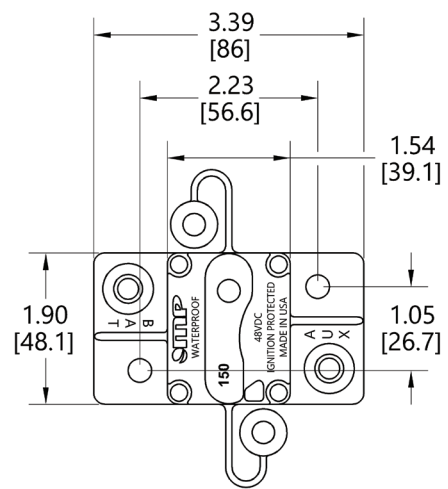
QC-4000-C

## Series 17 Physical Configuration

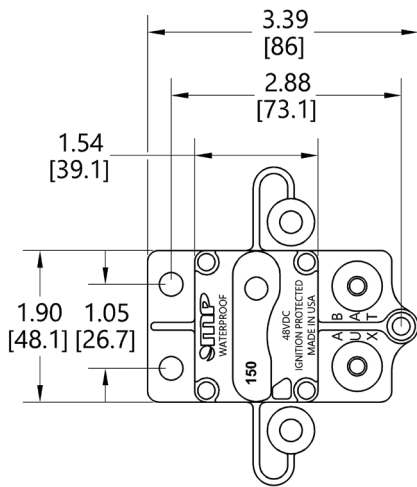
**S0 Standard Surface Mount  
1/4" -28 Stud Terminals**



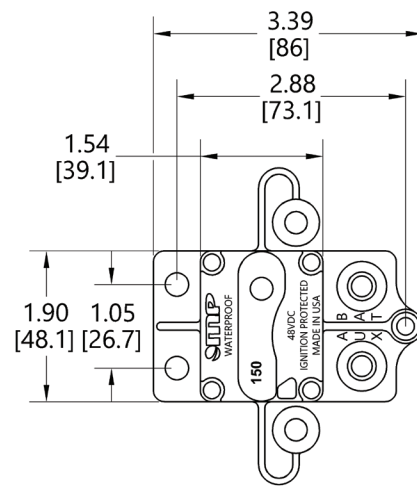
**S2 Standard Surface Mount  
3/8" -16 Stud Terminals**



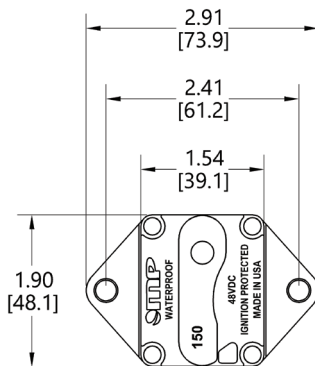
**S1 Easy Access Side by Side Surface Mount  
1/4" -28 Stud Terminals**



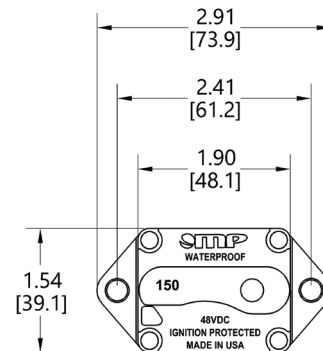
**S3 Easy Access Side by Side Surface Mount  
3/8" -16 Stud Terminals**

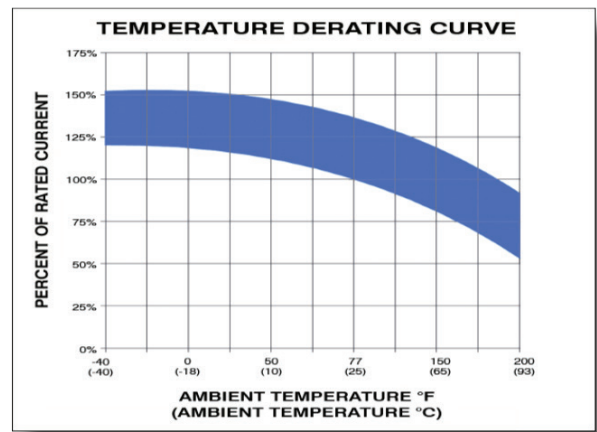
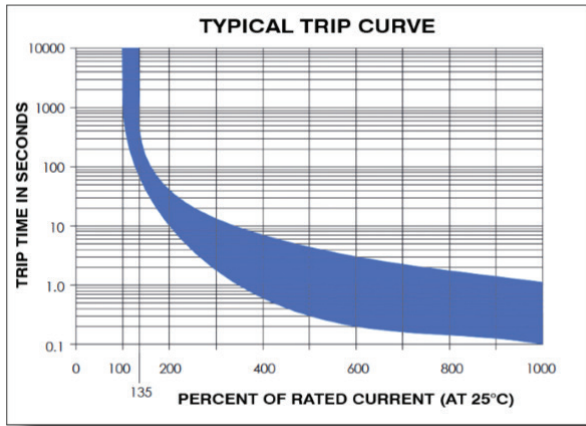


**P0 / P2 Standard Panel Mount  
1/4" -28 or 3/8" -16 Stud Terminals**



**P1 Easy Access 90° Panel Mount  
3/8" -16 Stud Terminals**





**Typical Overload Trip Time Data (in seconds)**

Current Rating	200%	400%	600%	800 %	1000%
25-300 Amps	10-40	0.6-7.0	0.2-3.0	0.15- 2.0	0.09-1.2

**Typical Ambient Temperature Correction Factor**

Current Rating	°F	-40	0	50	77	150	200
	°C	-40	-18	10	25	65	93
25-300 Amps		0.80	0.84	0.87	1.00	1.22	1.47

**Series 17 Typical High Amp Applications**

Main or supplementary circuit protection in industrial/commercial vehicles:

- Agricultural
- Construction
- Marine
- Trucks
- Buses
- Emergency Vehicles
- Automotive Lifts
- Battery Chargers
- Recreational Vehicles

Protect:

- Wiring
- Lighting
- Components
- Batteries
- Motors
- Pumps
- Alternators
- Air Compressors
- Inverters
- Converters
- Generators
- and more

To visit the MP website:



# Series 17 Part Numbering Guide up to 200A

**P/N:** 1 7   -     -       -    

**Series Number**

17 = Series Circuit Protector

**Vehicle Protection**

- 1 = Type I Auto Reset
- 4 = Type III Manual Reset
- 5 = Type III Manual Push To Trip Reset
- 6 = Type III Manual Push to Trip w/ red recessed button

**Special Options**

- Blank = None
- L = 17LED-R Assembled (S0, S1, S2 & S3 Models Only)

**Hardware**

- 0 = No Hardware
- 1 = Stainless Steel Sems Nuts (Bulk)
- 2 = Stainless Steel Sems Nuts (Installed)

**Amp Rating**

- 025 - 200 = 25 to 200A
- \*\*225-300A see back page

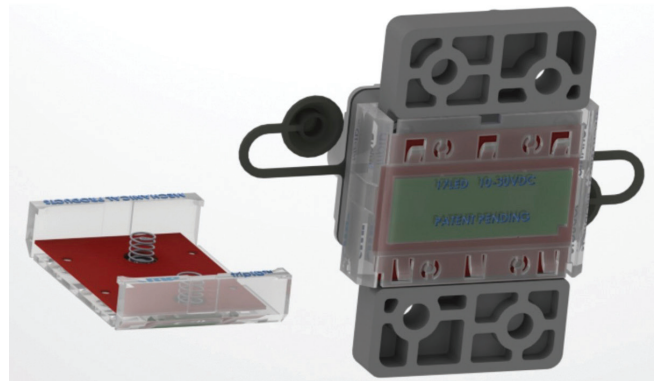
**Mounting Options / Configurations**

**Surface Mount**


- S0 = Standard Surface Mount with 1/4"-28 Stud Terminals
- S1 = Side By Side Surface Mount with 1/4"-28 Stud Terminals
- S2 = Standard Surface Mount with 3/8"-16 Stud Terminals
- S3 = Side By Side Surface Mount with 3/8"-16 Stud Terminals

**Panel Mount**

- P0 = Standard Panel Mount with 1/4"-28 Stud Terminals
- P1 = 90° Panel Mount with 1/4"-28 Stud Terminals
- P2 = Standard Panel Mount with 3/8"-16 Stud Terminals

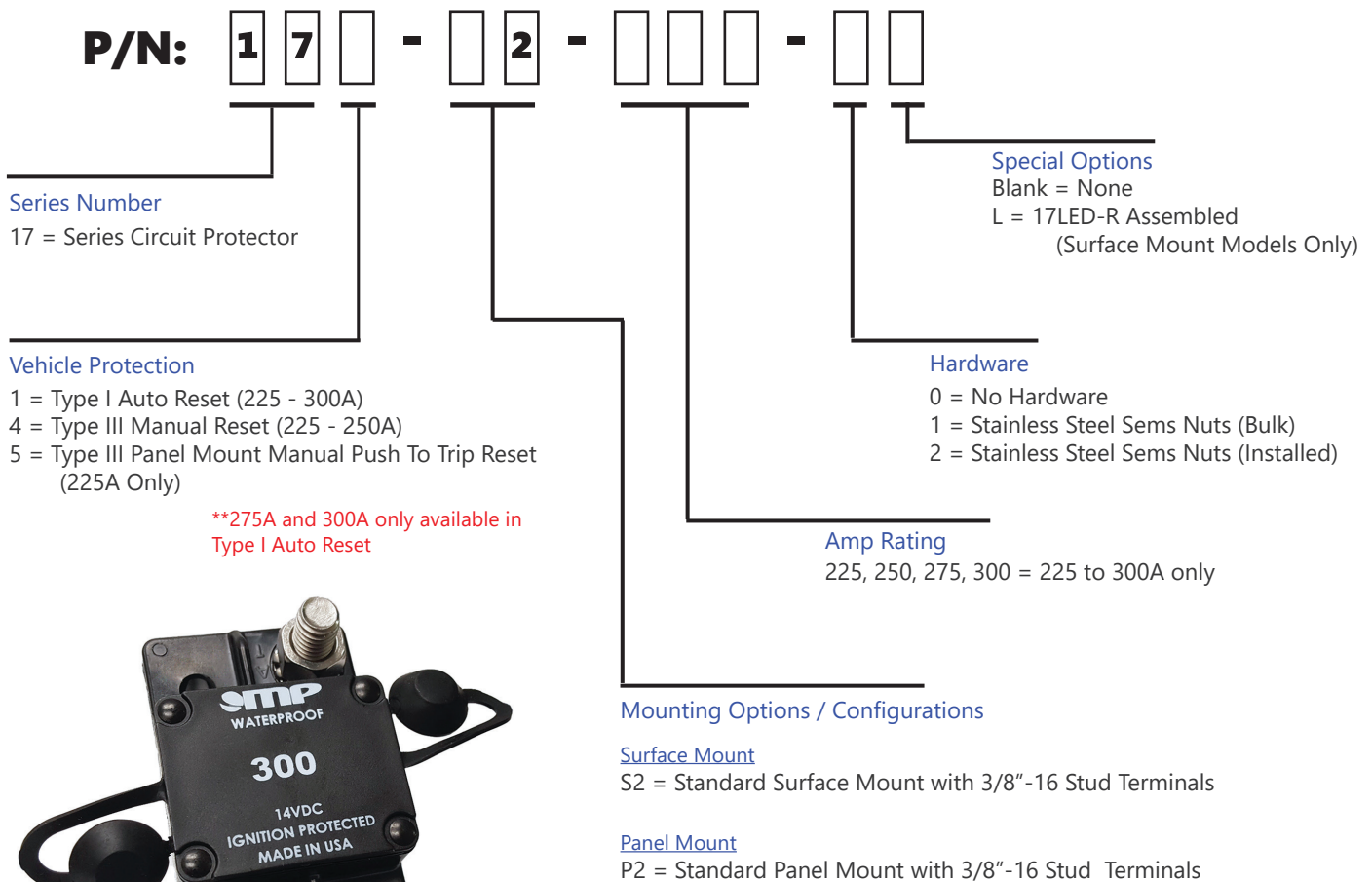


MP P/N: 17LED-R  
(Sold separately or assembled)  
TripID™ snaps on to rear of surface mount breaker.

 WARNING: Cancer & Reproductive Harm  
[www.p65warnings.ca.gov/](http://www.p65warnings.ca.gov/)



## Series 17 Part Numbering Guide 225-300A



## Series 17 225 - 300A Features

Rated for applications using 12VDC systems (14Vdc max)

Auto Reset (Series 171-S2-xxx)

- Amperages: 225A, 250A, 275A, 300A
- Endurance: 500 cycles, 200% 14Vdc per SAE J1625
- Short Circuit: 2.5kA, 14Vdc per SAE J1625

Manual Reset (Series 174-S2-xxx)

- Amperages: 225A & 250A
- Endurance: 50 cycles, 200% 14Vdc per UL1077/SAE J1625
- Short Circuit: 1.5kA, 14Vdc per SAE J1625  
1.5kA, 14Vdc ABYC Main Rated

3/8" Stainless Steel terminal studs

3/8" Battery Lug for wire size of 4/0 minimum recommended

