

170071-4001 SHOWN FOR REFERENCE  
APPEARANCE MAY VARY WITH SIZE

NOTES:

1. MATERIAL:

CAGE: NICKEL SILVER  
CONNECTOR HOUSING: GLASS FILLED THERMOPLASTIC, UL: 94V-0, COLOR: BLACK  
TERMINALS: HIGH PERFORMANCE COPPER ALLOY  
FRONT SHIELD WALL: COPPER ALLOY  
ELASTOMERIC GASKET: SILVER IMPREGNATED SILICONE

2. FINISH

TERMINALS: CONTACT AREA: 0.76 μm MIN. HARD GOLD OVER  
3.8 μm MIN. NICKEL.  
COMPLIANT TAIL: 0.7-1.5 μm MATTE TIN OVER  
0.7-1.5 μm NICKEL  
FRONT SHIELD WALL: 0.7-1.5 μm NICKEL OVERALL

3. 2X4 CONFIGURATION SHOWN FOR REFERENCE, SEE CHART FOR AVAILABLE OPTIONS

4. REFER TO PS-170071-0001 FOR ALL ELECTRICAL, MECHANICAL AND ENVIRONMENTAL SPECIFICATIONS.

5. REFER TO AS-170071-0001 FOR CONNECTOR MOUNTING AND REWORK INFORMATION.

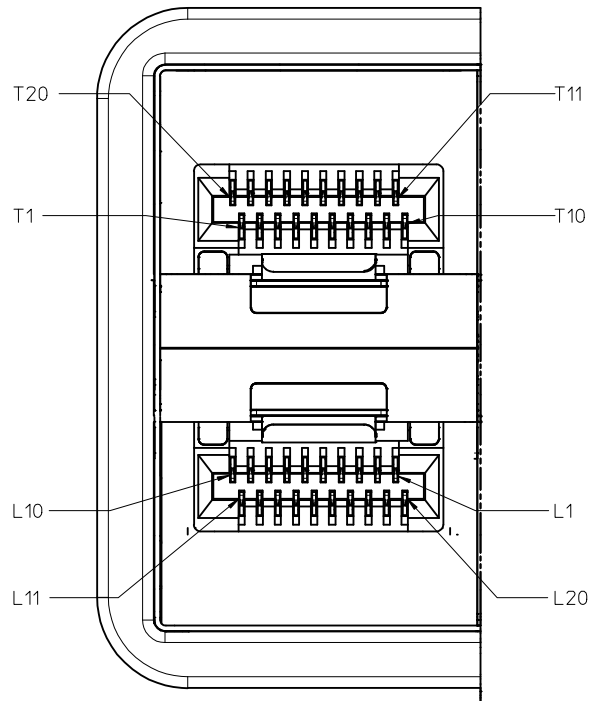
6. REFER TO AS-170071-0002 FOR PCB ROUTING RECOMMENDATIONS.

7. ALL VISIBLE EXTERIOR SURFACES TO BE CLASS "B" (BOTTOM OF CONNECTOR IS CLASS "C") CAGE SURFACES TO CONFORM TO THE MOLEX COSMETIC DOC PS-45499-002.

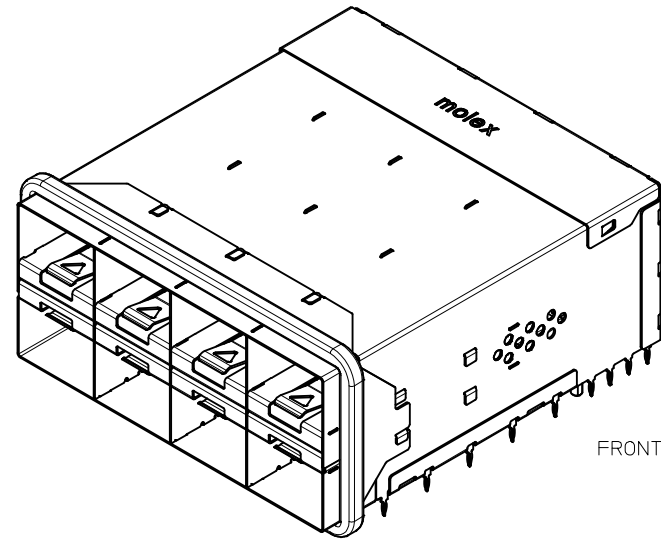
PORT SIZE	PART NUMBER	DIM X	DIM Y
2X1	1700711001	14.50	15.10
2X2	1700712001	28.75	29.35
2X4	1700714001	57.25	57.85
2X6	1700716001	85.75	86.35
2X8	1700718001	114.25	114.85
2X12	1700711201	171.25	171.85

ADDED GENERAL TOL EC NO: UCP2016-3736 DRWINKEMPEGONDA 2016/07/25 CHKD: APPR:SMILLER 2016/08/15	DESCRIPTION QUALITY SYMBOLS ▽=0 ▽=0 ▽=0	GENERAL TOLERANCES (UNLESS SPECIFIED)		DIMENSION STYLE <b>MM ONLY</b>		SCALE <b>2:1</b>	DESIGN UNITS <b>METRIC</b>	THIRD ANGLE PROJECTION
		4 PLACES ± --- ± --- 3 PLACES ± --- ± --- 2 PLACES ± 0.13 ± --- 1 PLACE ± 0.25 ± --- 0 PLACE ± ±	mm INCH	DRAWN BY JGONZALEZ01	DATE 2010/05/27	TITLE <b>ZSFP+ STACKED FULL ASSY WITH ELASTOMERIC GASKET</b>		
		ANGULAR ±1/2°		CHECKED BY JKACHLIC	DATE 2010/06/03			
		DRAFT WHERE APPLICABLE MUST REMAIN WITHIN DIMENSIONS		APPROVED BY MBANAKIS	DATE 2010/10/24			DOCUMENT NO. <b>SD-170071-0001</b>

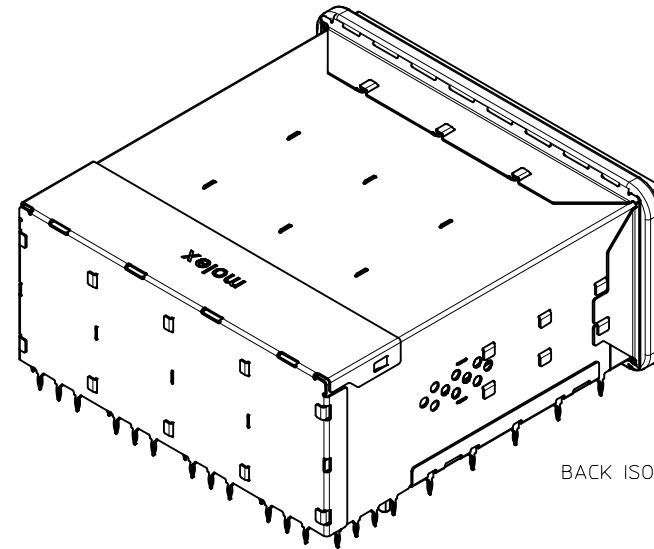
THIS DRAWING CONTAINS INFORMATION THAT IS PROPRIETARY TO MOLEX INCORPORATED AND SHOULD NOT BE USED WITHOUT WRITTEN PERMISSION



Partial1  
SCALE 6:1

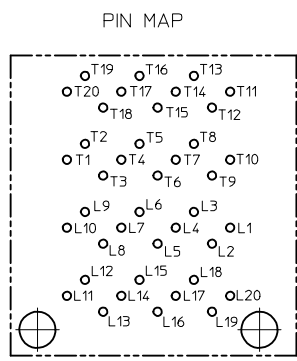
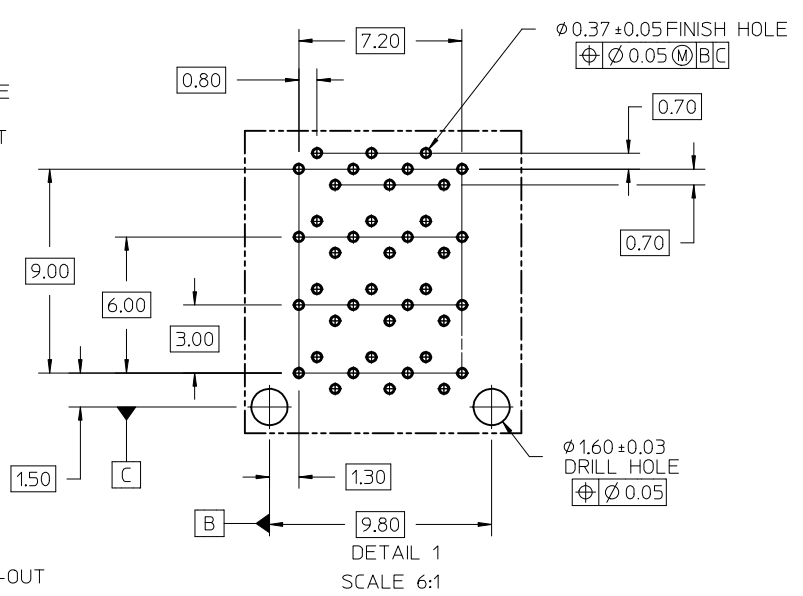
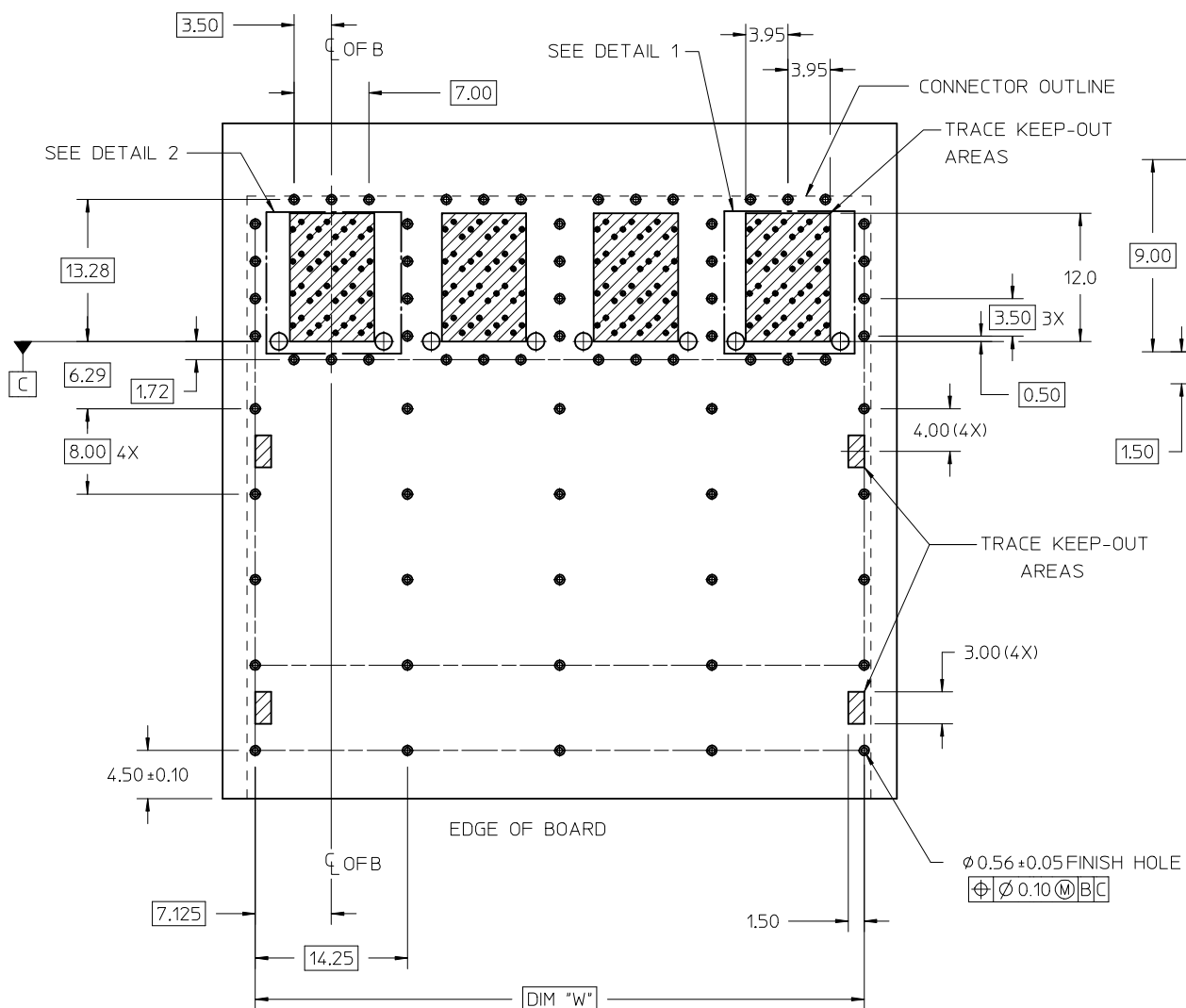


FRONT ISO VIEW



BACK ISO VIEW

<b>SEE SHEET 1</b> EC NO: UCP2016-3736 DRAWN: MKEPECOWDA 2016/07/25 CHKD: APPR: SMILLER 2016/08/15 DESCRIPTION	QUALITY SYMBOLS	GENERAL TOLERANCES (UNLESS SPECIFIED)	DIMENSION STYLE	SCALE	DESIGN UNITS	THIRD ANGLE PROJECTION
	▽=0	mm INCH	MM ONLY	2:1	METRIC	
	▽=0	4 PLACES ± --- ± ---	DRAWN BY DATE	TITLE		
	▽=0	3 PLACES ± --- ± ---	JKACHLIC 2010/06/03	ZSFP+ STACKED FULL ASSY WITH ELASTOMERIC GASKET		
	▽=0	2 PLACES ± 0.13 ± ---	MBANAKIS 2010/10/24			
	1 PLACE ± 0.25 ± ---	ANGULAR ±1/2°	SEE CHART	DOCUMENT NO.	SHEET NO.	
	0 PLACE ± ±	DRAFT WHERE APPLICABLE MUST REMAIN WITHIN DIMENSIONS	SIZE C	SD-170071-0001	2 OF 4	
			THIS DRAWING CONTAINS INFORMATION THAT IS PROPRIETARY TO MOLEX INCORPORATED AND SHOULD NOT BE USED WITHOUT WRITTEN PERMISSION			



HOLE CHART				
PORT SIZE	DIM "W"	SIGNALS ( $\varnothing 0.37$ )	SHIELD GROUND ( $\varnothing 0.56$ )	CONNECTOR LOCATION ( $\varnothing 1.60$ )
2X1	14.25	40	24	2
2X2	28.50	80	39	4
2X4	57.00	160	69	8
2X6	85.50	240	99	12
2X8	114.00	320	129	16
2X12	171.00	480	189	24

SEE SHEET 1  
 EC NO: UCP2016-3736  
 DRW:MKP/EGONDA 2016/07/25  
 CHKD:  
 APPR:SMILLER 2016/08/15

QUALITY SYMBOLS  
 $\nabla = 0$   
 $\nabla = 0$   
 $\nabla = 0$

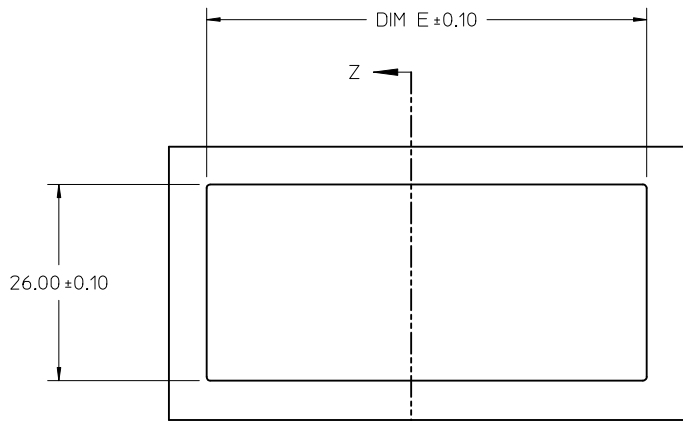
GENERAL TOLERANCES (UNLESS SPECIFIED)  

	mm	INCH
4 PLACES	$\pm 0.13$	$\pm 0.005$
3 PLACES	$\pm 0.25$	$\pm 0.010$
2 PLACES	$\pm 0.38$	$\pm 0.015$
1 PLACE	$\pm 0.51$	$\pm 0.020$
0 PLACE	$\pm 0.64$	$\pm 0.025$

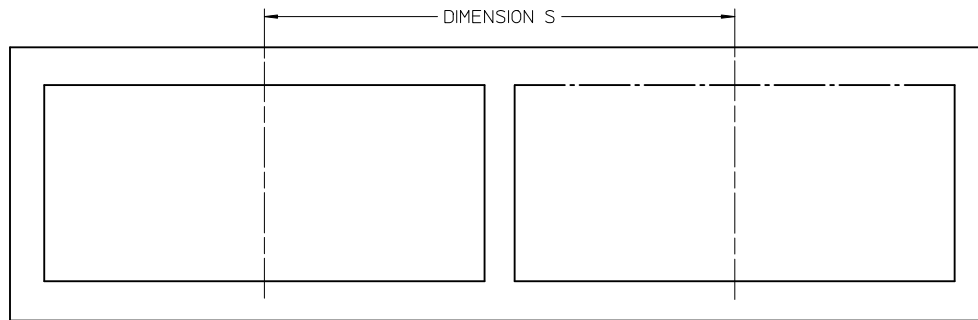
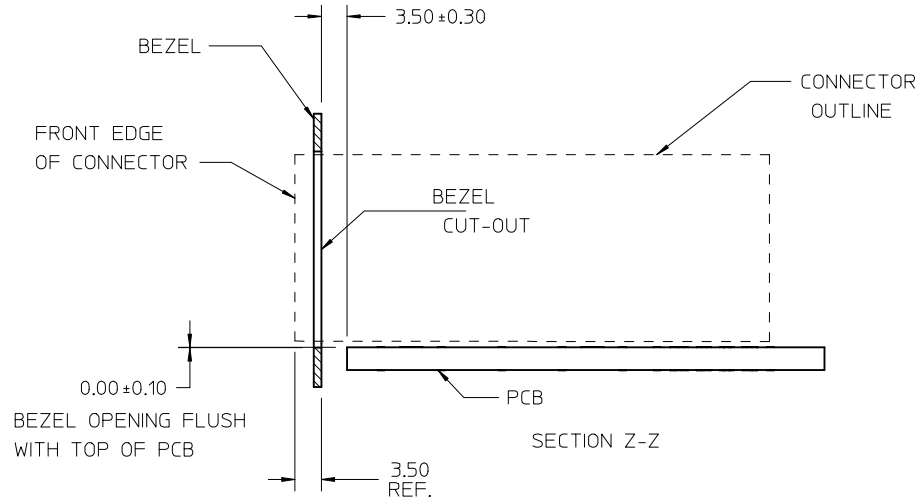
 ANGULAR  $\pm 1/2^\circ$   
 DRAFT WHERE APPLICABLE MUST REMAIN WITHIN DIMENSIONS

DIMENSION STYLE: MM ONLY  
 SCALE: 3:1  
 DESIGN UNITS: METRIC  
 THIRD ANGLE PROJECTION  
 DRAWN BY: JGONZALEZ01 DATE: 2010/05/27  
 CHECKED BY: JKACHLIC DATE: 2010/06/03  
 APPROVED BY: MBANAKIS DATE: 2010/10/24  
 MATERIAL NO.:  
 SEE CHART  
 TITLE: ZSFP+ STACKED FULL ASSY WITH ELASTOMERIC GASKET  
 DOCUMENT NO.: SD-170071-0001  
 SHEET NO.: 3 OF 4

**molex**  
 THIS DRAWING CONTAINS INFORMATION THAT IS PROPRIETARY TO MOLEX INCORPORATED AND SHOULD NOT BE USED WITHOUT WRITTEN PERMISSION



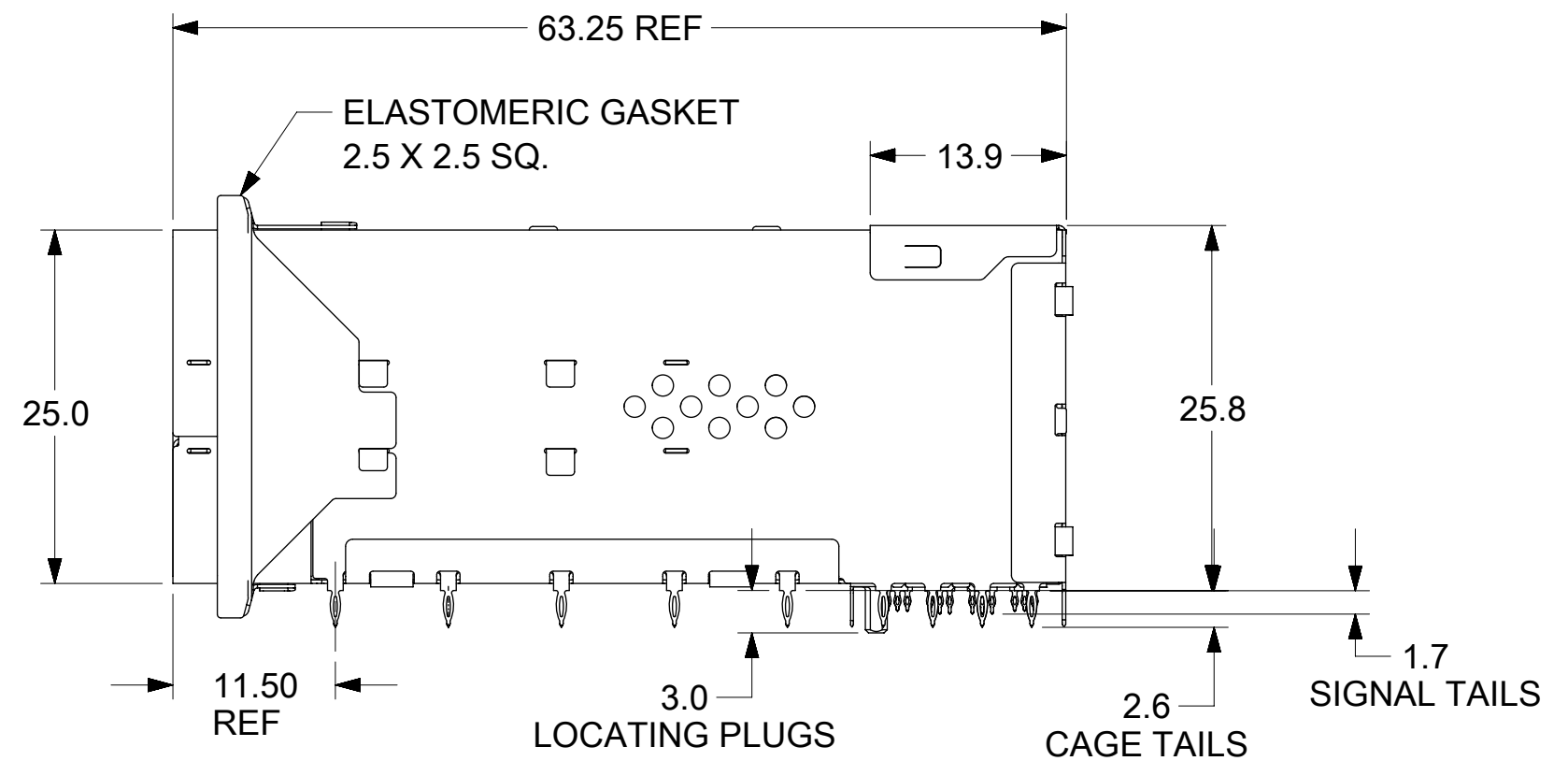
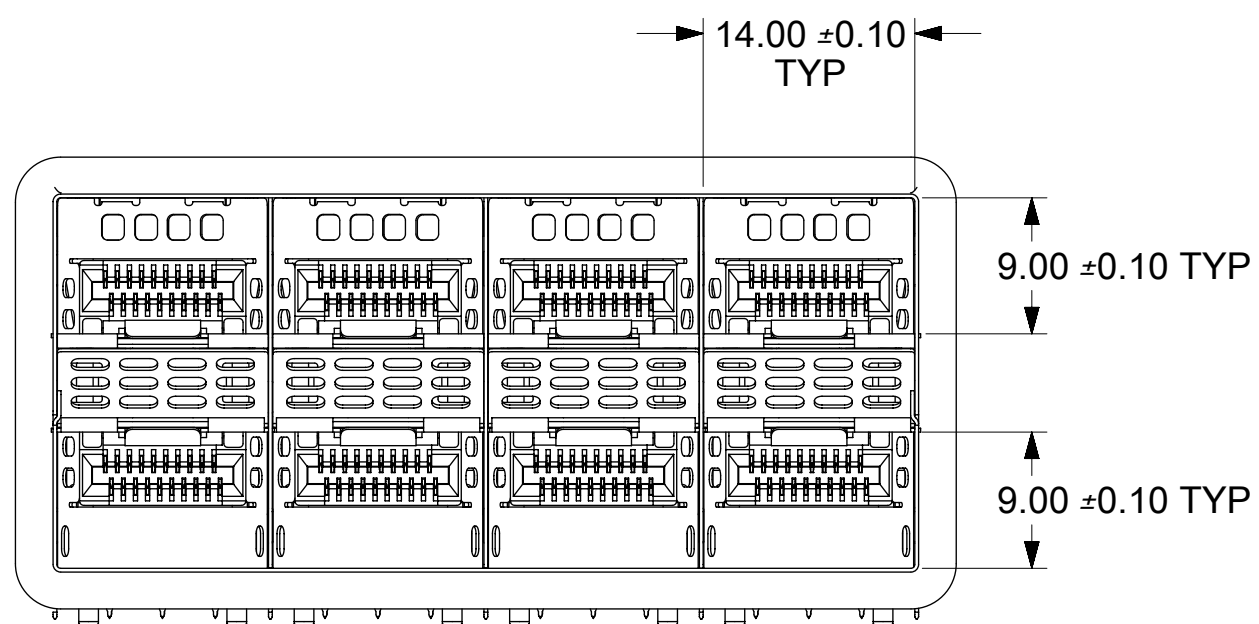
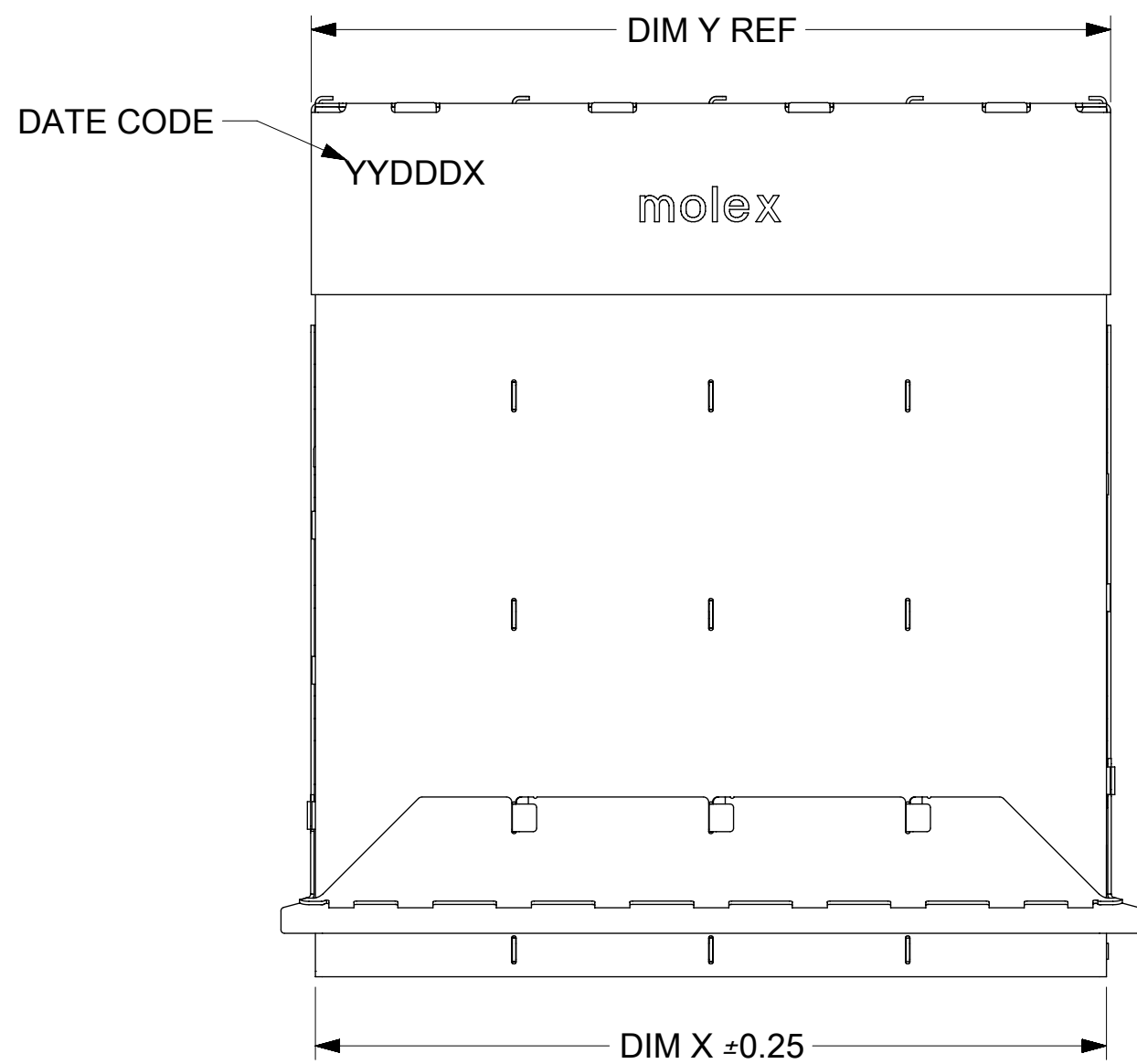
BEZEL CUT-OUT DETAIL  
BEZEL THICKNESS 0.8-2.6



BEZEL CUT OUT FOR  
CONNECTOR STACKING

CONFIGURATION	DIM 'E'	DIM 'S'
2X1	15.50	20.40 MINIMUM
2X2	29.75	34.65 MINIMUM
2X4	58.25	63.15 MINIMUM
2X6	86.75	91.65 MINIMUM
2X8	115.25	120.15 MINIMUM
2X12	172.25	177.15 MINIMUM

<b>SEE SHEET 1</b> EC NO: UCP2016-3736 DRWING: KEMPEGONDA 2016/07/25 CHKD: MBANAKIS APPR: SMILLER 2016/08/15	QUALITY SYMBOLS 	GENERAL TOLERANCES (UNLESS SPECIFIED) <table border="1"> <tr> <td></td> <td>mm</td> <td>INCH</td> </tr> <tr> <td>4 PLACES</td> <td>± 0.10</td> <td>± 0.004</td> </tr> <tr> <td>3 PLACES</td> <td>± 0.13</td> <td>± 0.005</td> </tr> <tr> <td>2 PLACES</td> <td>± 0.25</td> <td>± 0.010</td> </tr> <tr> <td>1 PLACE</td> <td>± 0.25</td> <td>± 0.010</td> </tr> <tr> <td>0 PLACE</td> <td>± 0.25</td> <td>± 0.010</td> </tr> </table>		mm	INCH	4 PLACES	± 0.10	± 0.004	3 PLACES	± 0.13	± 0.005	2 PLACES	± 0.25	± 0.010	1 PLACE	± 0.25	± 0.010	0 PLACE	± 0.25	± 0.010	DIMENSION STYLE <b>MM ONLY</b> DRAWN BY: JGONZALEZ01 DATE: 2010/05/27 CHECKED BY: JKACHLIC DATE: 2010/06/03 APPROVED BY: MBANAKIS DATE: 2010/10/24	SCALE: 2:1 DESIGN UNITS: METRIC THIRD ANGLE PROJECTION	TITLE: <b>ZSFP+ STACKED FULL ASSY WITH ELASTOMERIC GASKET</b>
		mm	INCH																				
	4 PLACES	± 0.10	± 0.004																				
	3 PLACES	± 0.13	± 0.005																				
2 PLACES	± 0.25	± 0.010																					
1 PLACE	± 0.25	± 0.010																					
0 PLACE	± 0.25	± 0.010																					
MATERIAL NO. <b>SEE CHART</b>	DOCUMENT NO. <b>SD-170071-0001</b>	SHEET NO. <b>4 OF 4</b>																					
DRAFT WHERE APPLICABLE MUST REMAIN WITHIN DIMENSIONS			THIS DRAWING CONTAINS INFORMATION THAT IS PROPRIETARY TO MOLEX INCORPORATED AND SHOULD NOT BE USED WITHOUT WRITTEN PERMISSION																				
MOLEX																							



170071-4004 SHOWN FOR REFERENCE  
APPEARANCE MAY VARY WITH SIZE

NOTES:

1. MATERIAL:

CAGE: NICKEL SILVER  
CONNECTOR HOUSING: GLASS FILLED THERMOPLASTIC, UL: 94V-0, COLOR: BLACK  
TERMINALS: HIGH PERFORMANCE COPPER ALLOY  
FRONT SHIELD WALL: COPPER ALLOY  
ELASTOMERIC GASKET: SILVER IMPREGNATED SILICONE

2. FINISH

TERMINALS: CONTACT AREA: 0.76 μm MIN. HARD GOLD OVER 3.8 μm MIN. NICKEL.  
COMPLIANT TAIL: 0.7-1.5 μm MATTE TIN OVER 0.7-1.5 μm NICKEL.  
FRONT SHIELD WALL: 0.7-1.5 μm NICKEL OVERALL

3. 2X4 CONFIGURATION SHOWN FOR REFERENCE, SEE CHART FOR AVAILABLE OPTIONS.

4. REFER TO PS-170071-0001 FOR ALL ELECTRICAL, MECHANICAL AND ENVIRONMENTAL SPECIFICATIONS.

5. REFER TO AS-170071-0001 FOR CONNECTOR MOUNTING AND REWORK INFORMATION.

6. REFER TO AS-170071-0002 FOR PCB ROUTING RECOMMENDATIONS.

7. ALL SURFACES CLASS "C" PER MOLEX COSMETIC SPECIFICATION ES-171233-0001.

8. DATE CODE LOCATION SHOWN. DATE CODE FORMAT: YYDDDX.

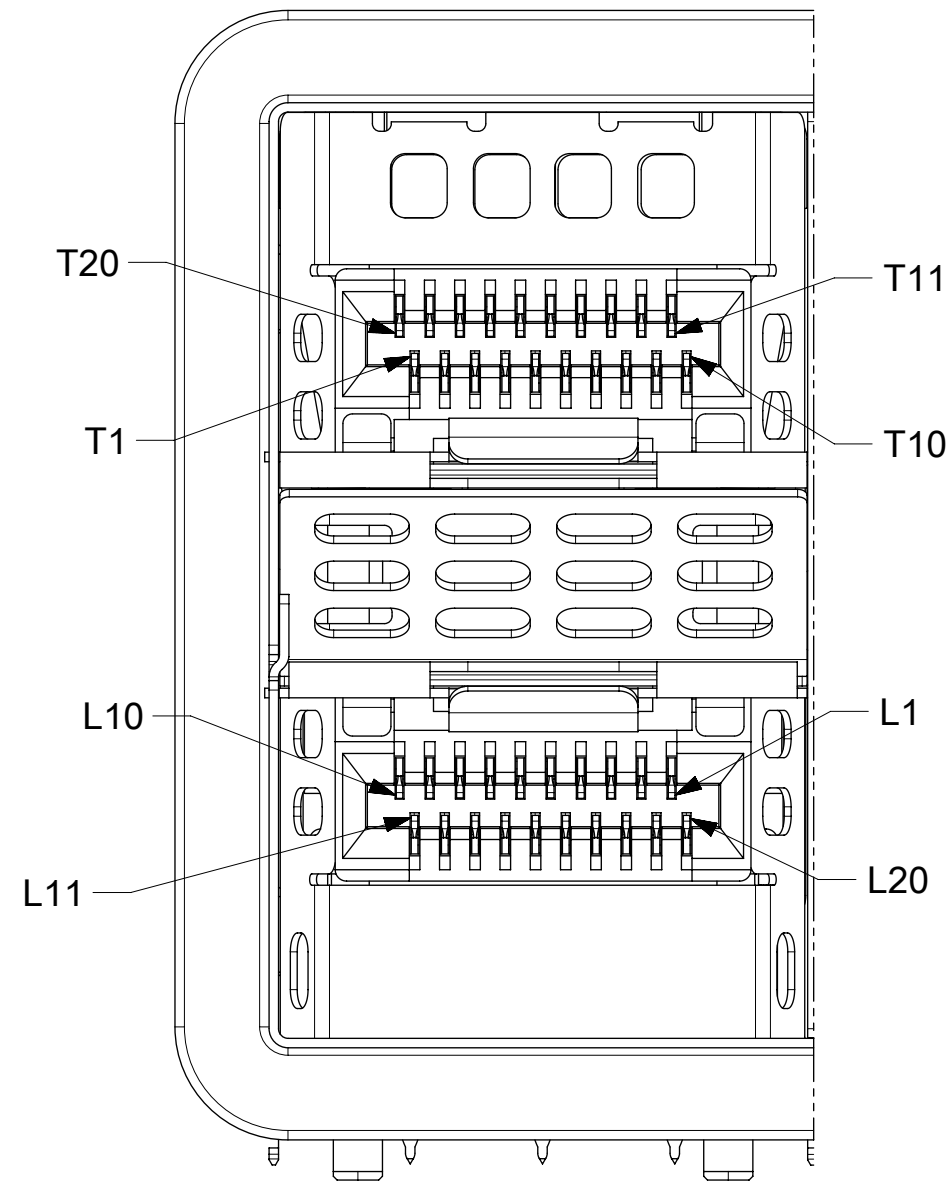
YY= LAST TWO DIGITS OF YEAR.

DDD= DAY OF THE YEAR

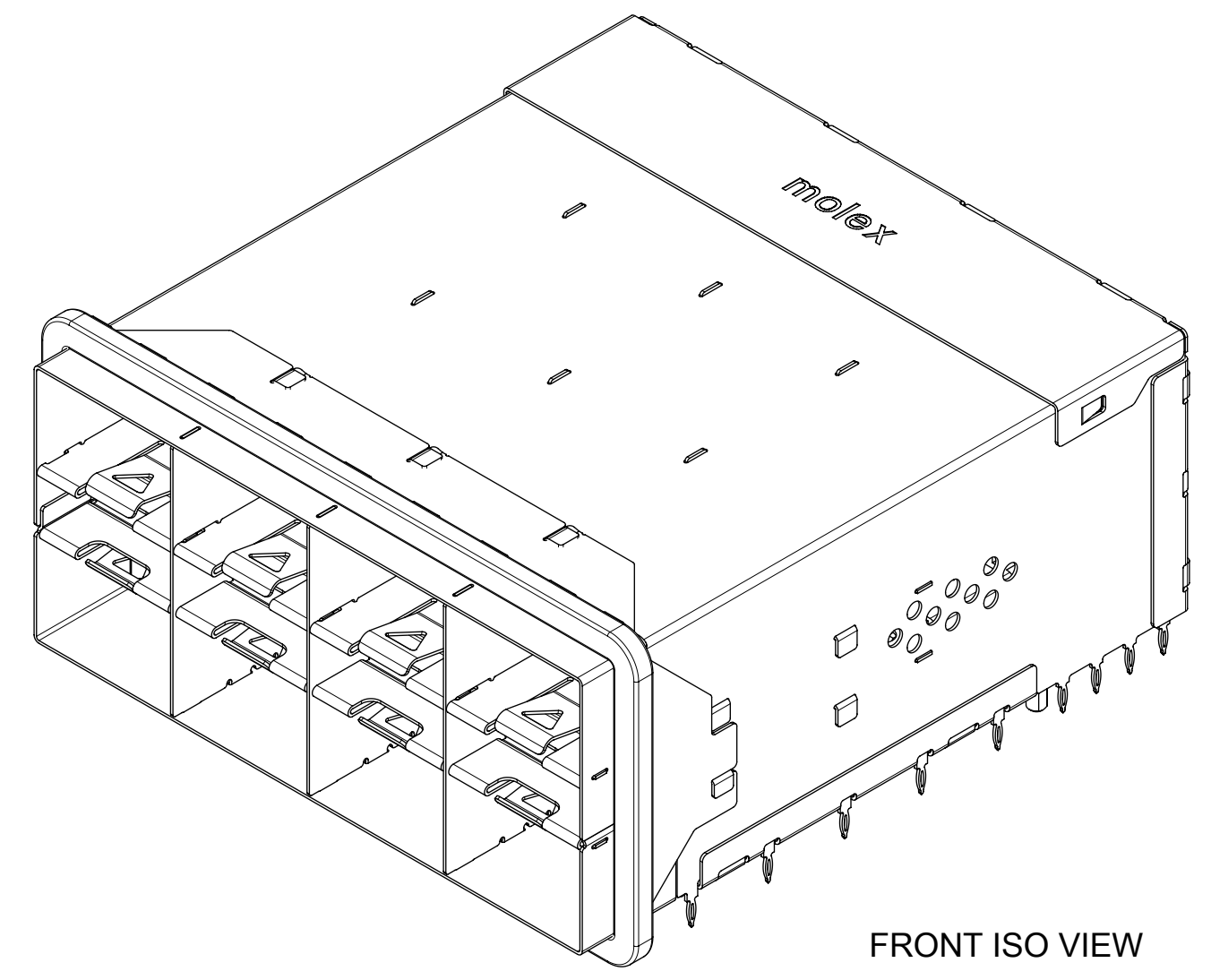
X= MOLEX INTERNAL CONTROL

PORT SIZE	PART NUMBER	DIM X	DIM Y
2X1	170071-1004	14.50	15.10
2X2	170071-2004	28.75	29.35
2X4	170071-4004	57.25	57.85
2X6	170071-6004	85.75	86.35
2X8	170071-8004	114.25	114.85
2X12	170071-1204	171.25	171.85

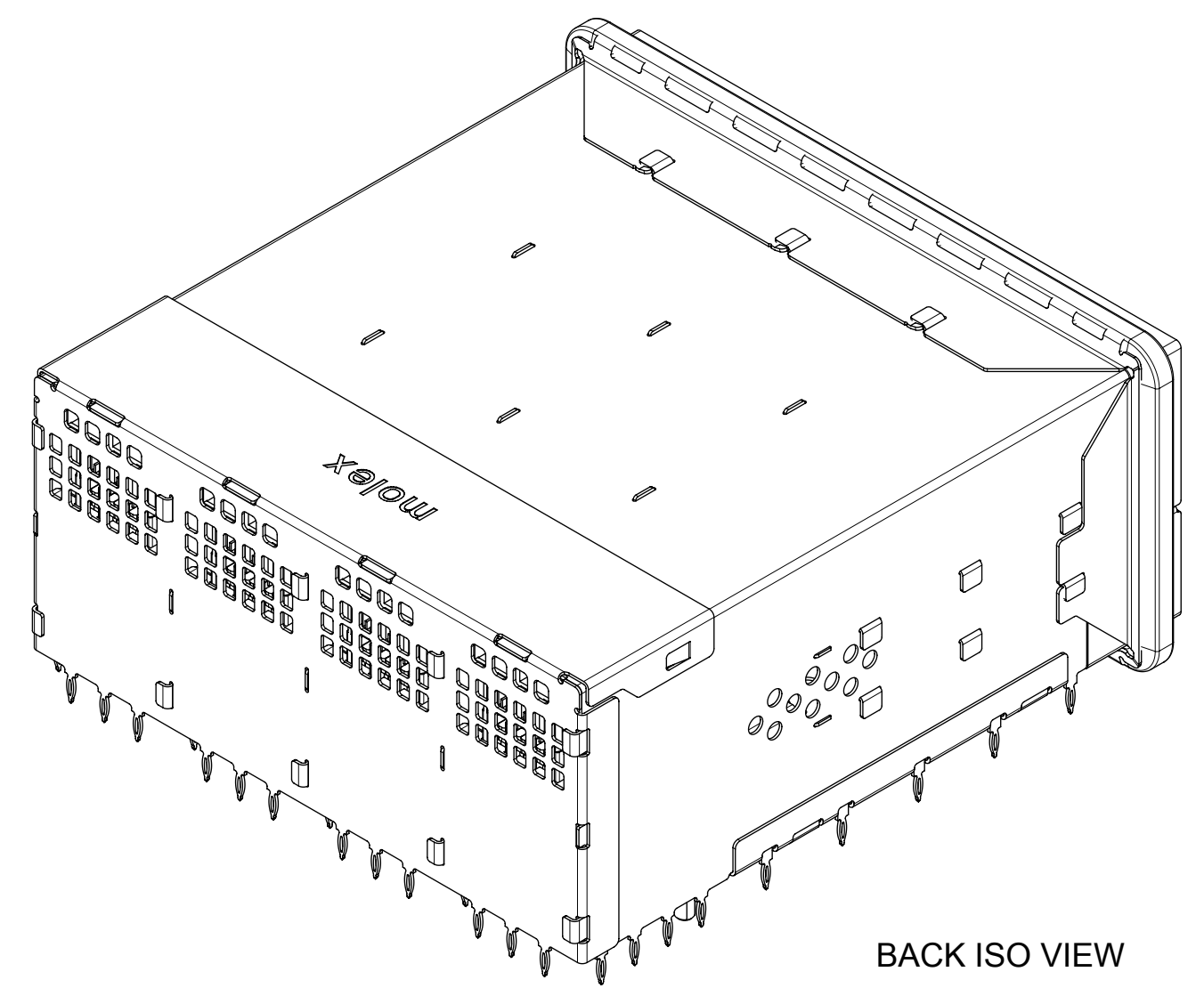
THIS DRAWING CONTAINS INFORMATION THAT IS PROPRIETARY TO MOLEX ELECTRONIC TECHNOLOGIES, LLC AND SHOULD NOT BE USED WITHOUT WRITTEN PERMISSION									
DIMENSION UNITS: mm		SCALE: 2:1		CURRENT REV DESC: SEE REVISION HISTORY					
GENERAL TOLERANCES (UNLESS SPECIFIED)		ANGULAR TOL ± 0.5°		EC NO: 622761					
4 PLACES ±		3 PLACES ±		DRWN: TMARRI		2019/07/24		ZSFP+ STACKED FLOW THRU WITH ELASTOMERIC GASKET	
2 PLACES ± 0.13		1 PLACE ± 0.25		CHK'D: CWANG67		2019/08/22			
0 PLACES ±		DRAFT WHERE APPLICABLE MUST REMAIN WITHIN DIMENSIONS		APPR: RNELSON		2019/09/04		PRODUCT CUSTOMER DRAWING	
THIRD ANGLE PROJECTION		DRAWING: C-SIZE		SERIES: 170071		INITIAL REVISION: DRWN: JKACHLIC		DOCUMENT NUMBER: SD-170071-0004	
MATERIAL NUMBER: SEE CHART		CUSTOMER: GENERAL MARKET		SHEET NUMBER: 1 OF 5		DOC TYPE: PSD		DOC PART: 001	
REVISION: A		DATE: 2015/06/24		DATE: 2015/06/25		DATE: 2015/06/25		DATE: 2015/06/25	



Partial 1  
VIEW D  
SCALE 5:1

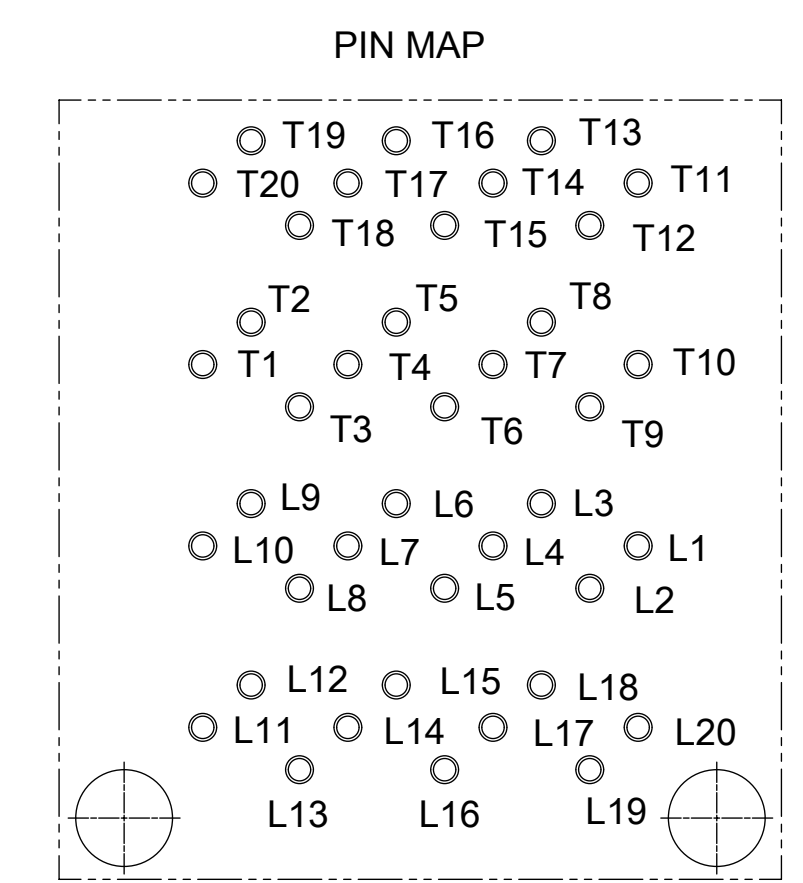
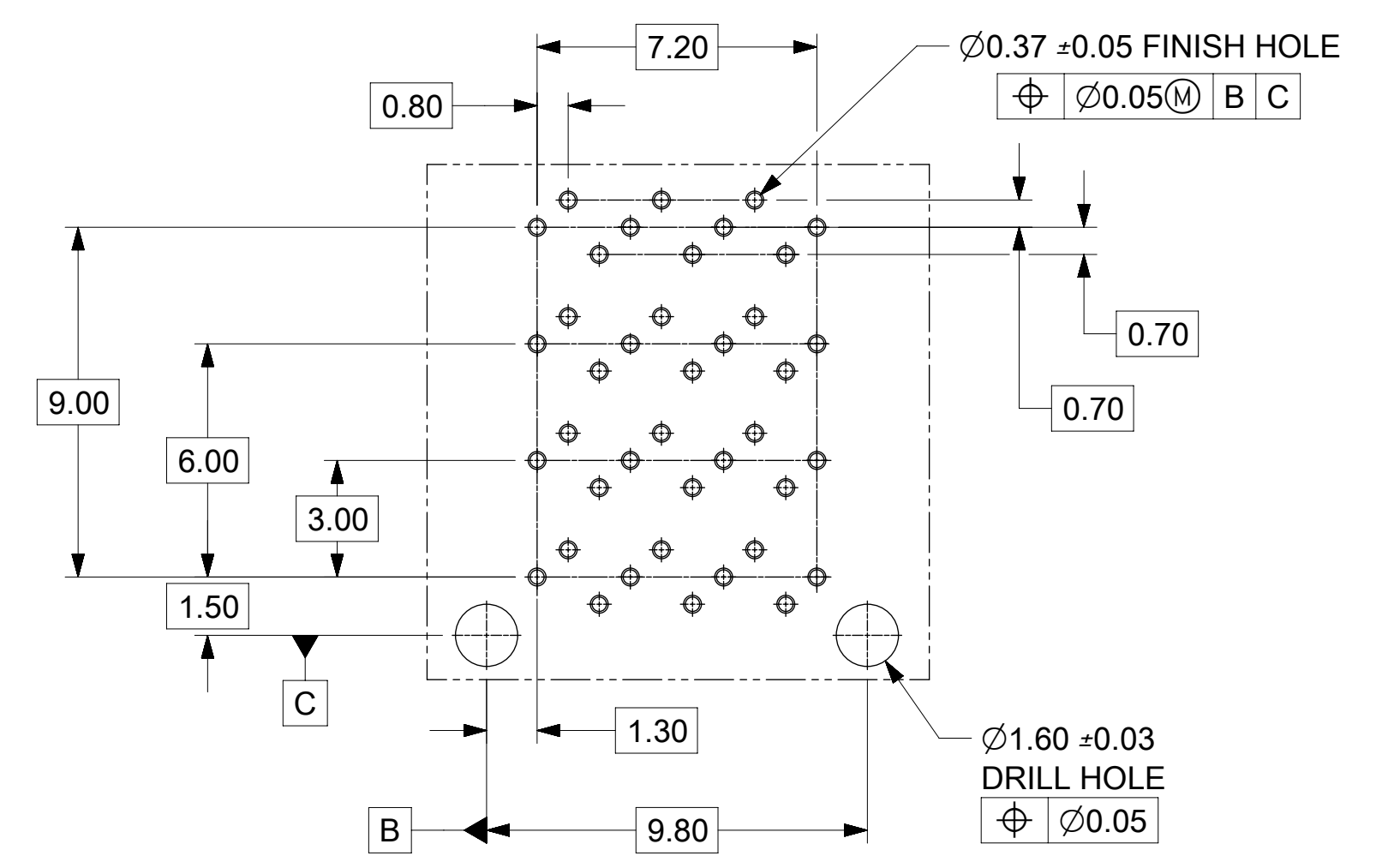
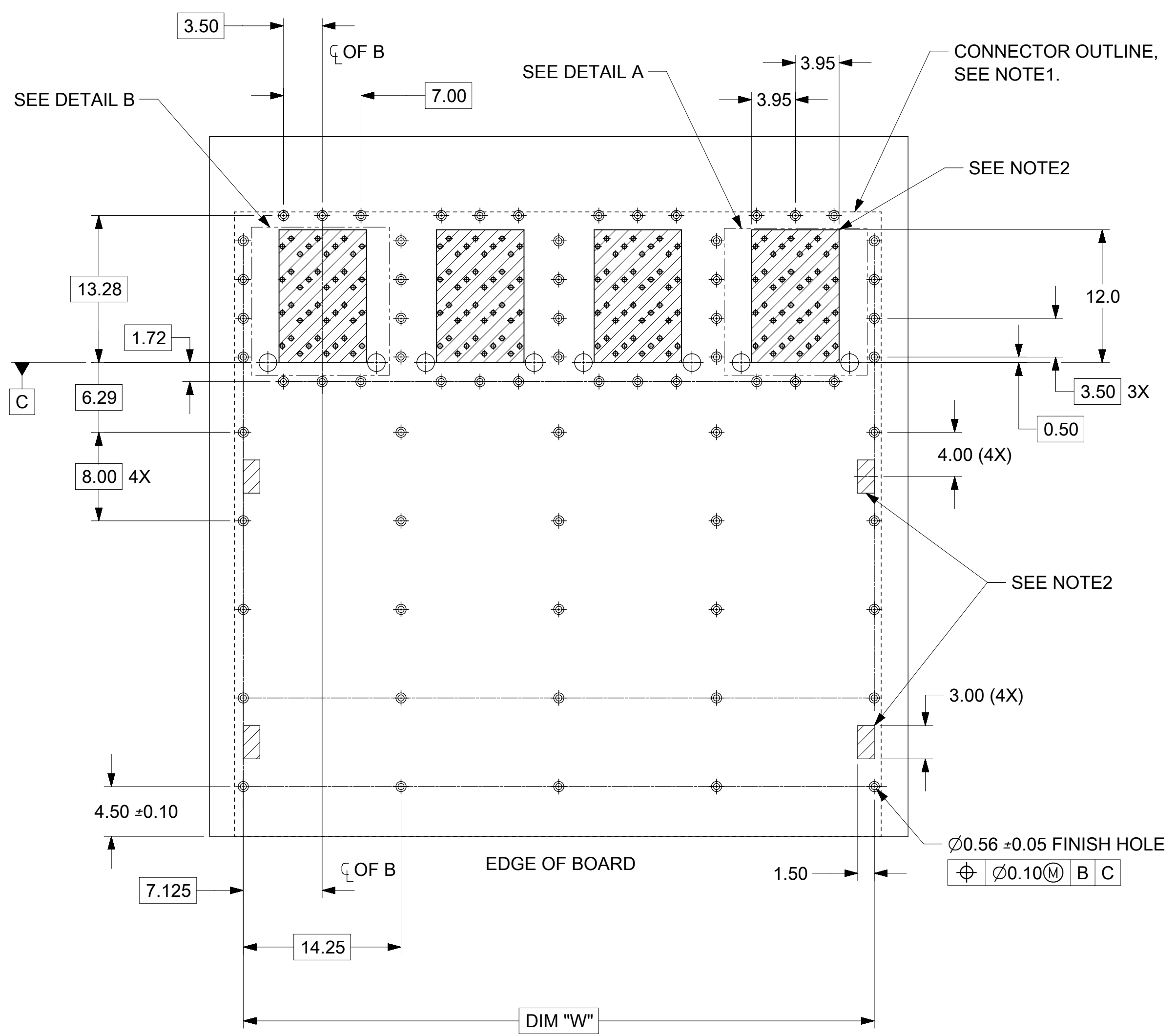


FRONT ISO VIEW



BACK ISO VIEW

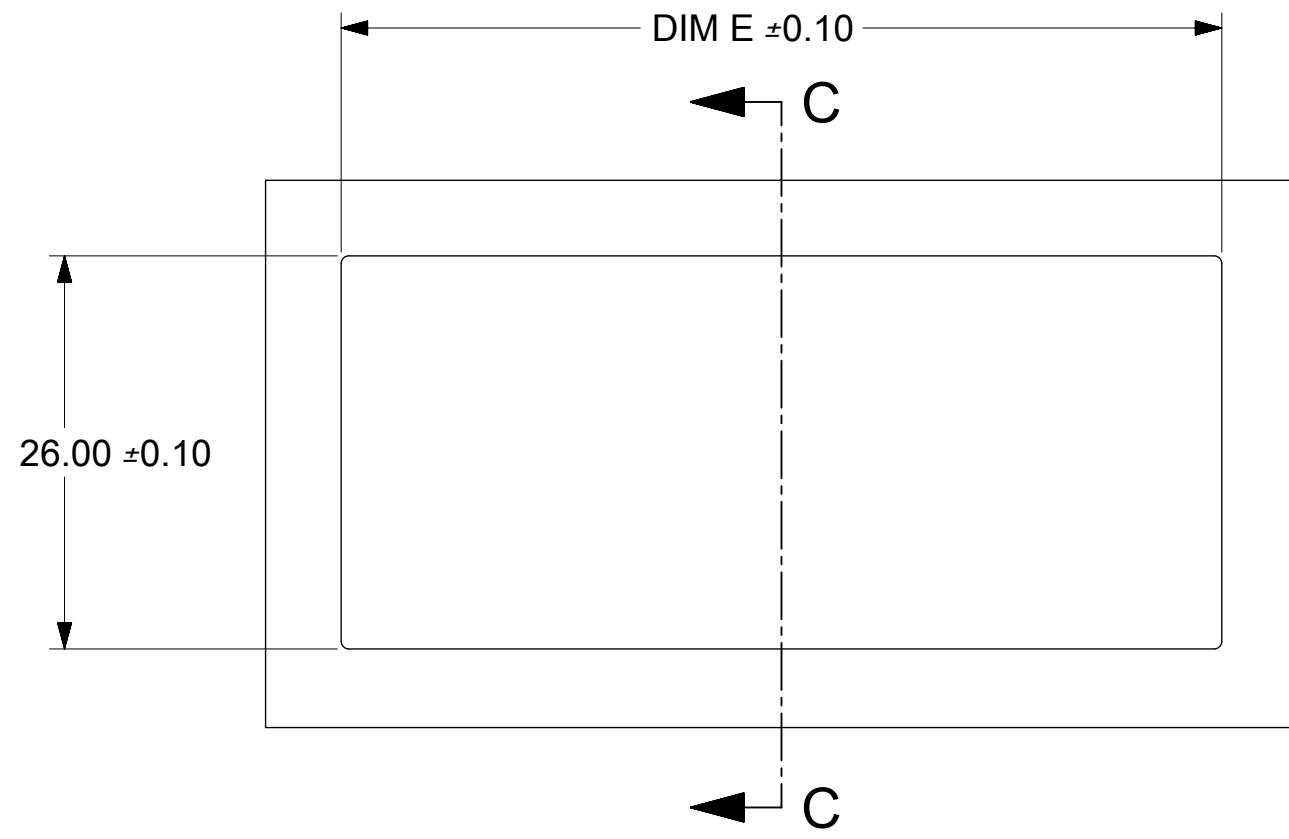
THIS DRAWING CONTAINS INFORMATION THAT IS PROPRIETARY TO MOLEX ELECTRONIC TECHNOLOGIES, LLC AND SHOULD NOT BE USED WITHOUT WRITTEN PERMISSION									
DIMENSION UNITS		SCALE		CURRENT REV DESC: SEE REVISION HISTORY				<b>molex</b>	
mm		1:1		EC NO: 622761					
GENERAL TOLERANCES (UNLESS SPECIFIED)				DRWN: TMARRI 2019/07/24				ZSFP+ STACKED FLOW THRU WITH ELASTOMERIC GASKET	
ANGULAR TOL ± 0.5°				CHK'D: CWANG67 2019/08/22					
4 PLACES ±				APPR: RNELSON 2019/09/04				PRODUCT CUSTOMER DRAWING	
3 PLACES ±				INITIAL REVISION:					
2 PLACES ± 0.13				DRWN: JKACHLIC 2015/06/24				DOCUMENT NUMBER	
1 PLACE ± 0.25				APPR: MBANAKIS 2015/06/25				SD-170071-0004	
0 PLACES ±				THIRD ANGLE PROJECTION		DRAWING		DOC TYPE   DOC PART   REVISION	
DRAFT WHERE APPLICABLE MUST REMAIN WITHIN DIMENSIONS				C-SIZE		SERIES		MATERIAL NUMBER   CUSTOMER   SHEET NUMBER	
DOCUMENT STATUS P1				RELEASE DATE 2019/09/04 07:37:08		170071		SEE CHART   GENERAL MARKET   2 OF 5	



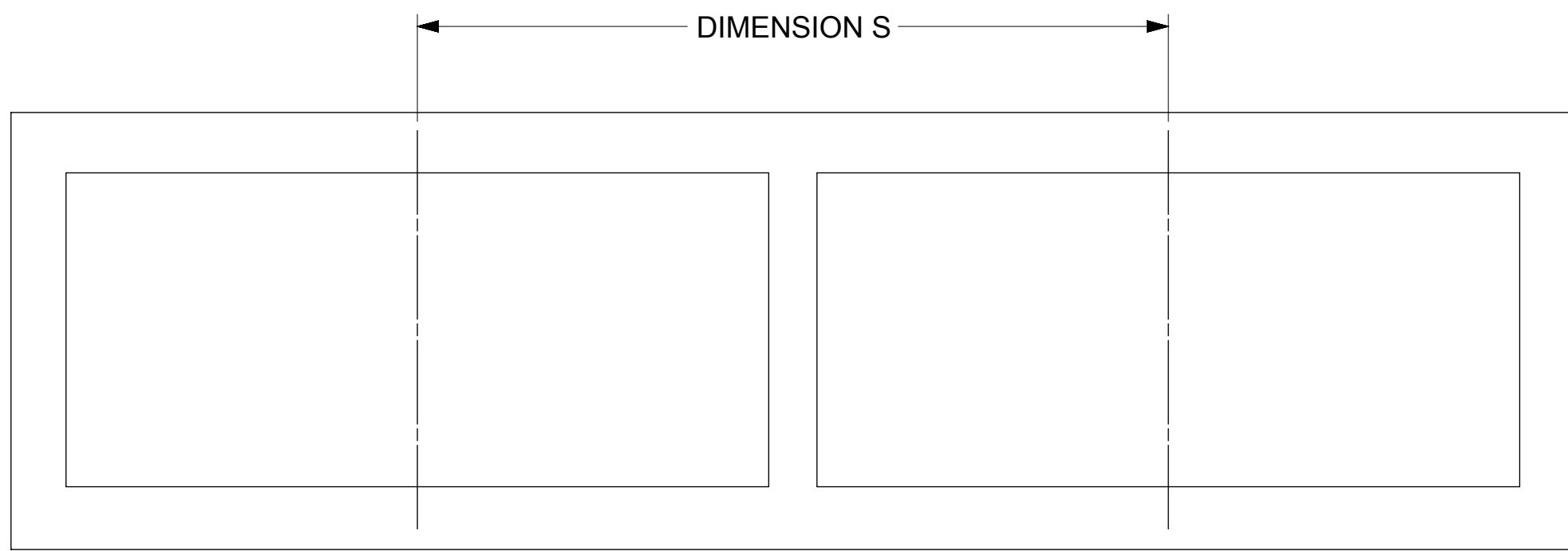
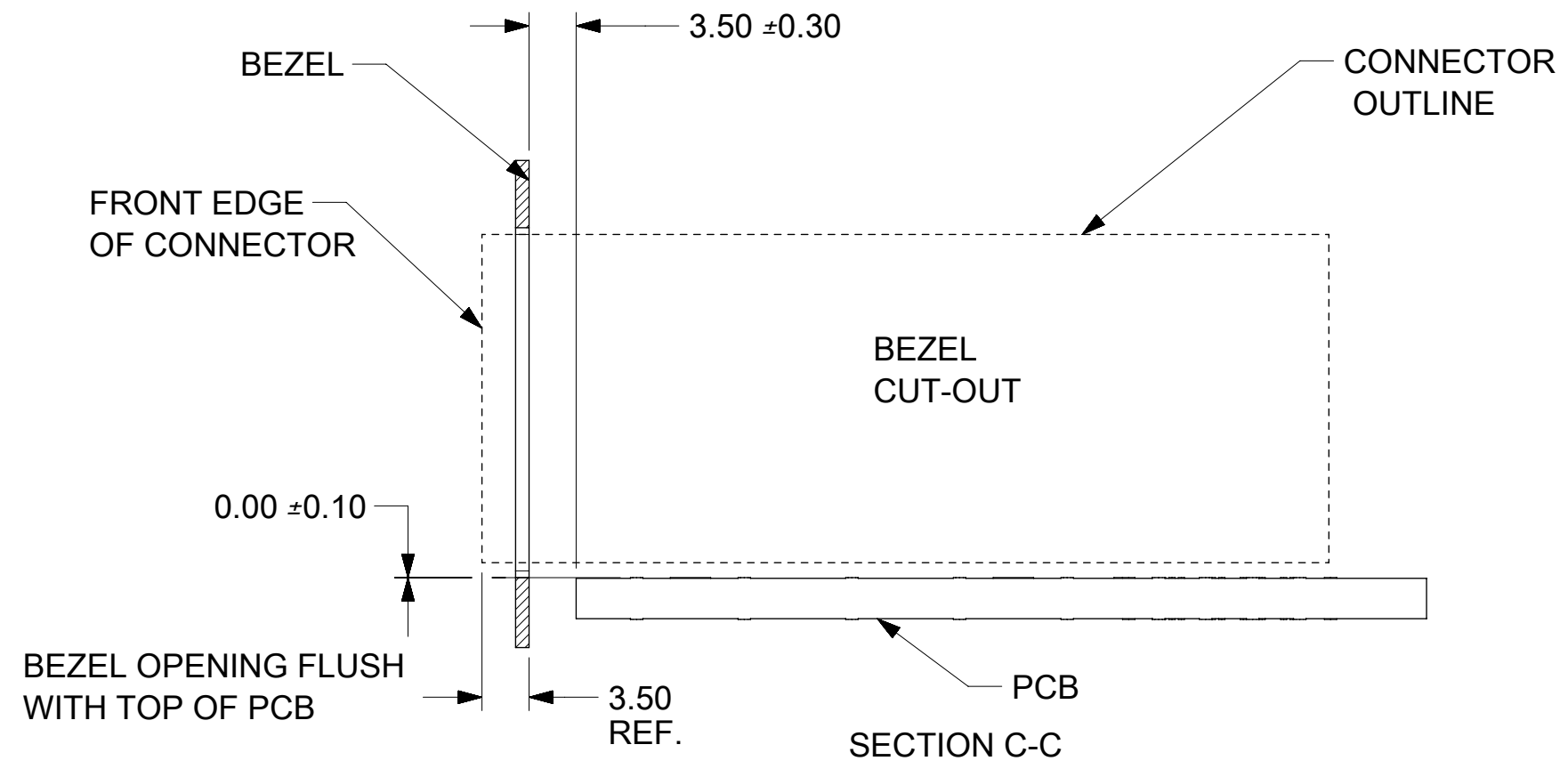
- NOTES:
1. THE ENTIRE AREA UNDER THE CONNECTOR IS A KEEP OUT ZONE FOR COMPONENTS AND TRACES, TOP LAYER ONLY, EXCEPT FOR CHASSIS GROUND.
  2. CROSS-HATCHED AREAS INDICATE PLACES WHERE THE PLASTIC HOUSING AND METAL CAGE MAY CONTACT PCB SURFACE. THESE AREAS ARE KEEP OUT ZONES. CROSS-HATCHED AREA UNDER THE CONNECTOR ARE TRACE AND VIA KEEP OUT AREAS FOR THE TOP LAYER.

HOLE CHART				
PORT SIZE	DIM "W"	SIGNALS (Ø0.37)	SHIELD GROUND (Ø0.56)	CONNECTOR LOCATION (Ø1.60)
2X1	14.25	40	24	2
2X2	28.50	80	39	4
2X4	57.00	160	69	8
2X6	85.50	240	99	12
2X8	114.00	320	129	16
2X12	171.00	480	189	24

THIS DRAWING CONTAINS INFORMATION THAT IS PROPRIETARY TO MOLEX ELECTRONIC TECHNOLOGIES, LLC AND SHOULD NOT BE USED WITHOUT WRITTEN PERMISSION									
DIMENSION UNITS: mm		SCALE: 3:1		CURRENT REV DESC: SEE REVISION HISTORY					
GENERAL TOLERANCES (UNLESS SPECIFIED)				<p><b>molex</b></p> <p>ZSFP+ STACKED FLOW THRU WITH ELASTOMERIC GASKET</p> <p>PRODUCT CUSTOMER DRAWING</p> <p>DOCUMENT NUMBER: SD-170071-0004   DOC TYPE: PSD   DOC PART: 001   REVISION: A</p> <p>MATERIAL NUMBER: SEE CHART   CUSTOMER: GENERAL MARKET   SHEET NUMBER: 3 OF 5</p>					
ANGULAR TOL: ± 0.5°		4 PLACES: ±							
3 PLACES: ±		2 PLACES: ± 0.13							
1 PLACE: ± 0.25		0 PLACES: ±							
DRAFT WHERE APPLICABLE MUST REMAIN WITHIN DIMENSIONS		THIRD ANGLE PROJECTION							



BEZEL CUT-OUT DETAIL  
BEZEL THICKNESS 0.8-2.6



BEZEL CUT OUT FOR  
CONNECTOR STACKING

CONFIGURATION	DIM "E"	DIM "S"
2X1	15.50	20.40 MINIMUM
2X2	29.75	34.65 MINIMUM
2X4	58.25	63.15 MINIMUM
2X6	86.75	91.65 MINIMUM
2X8	115.25	120.15 MINIMUM
2X12	172.25	177.15 MINIMUM

THIS DRAWING CONTAINS INFORMATION THAT IS PROPRIETARY TO MOLEX ELECTRONIC TECHNOLOGIES, LLC AND SHOULD NOT BE USED WITHOUT WRITTEN PERMISSION

DIMENSION UNITS <b>mm</b>	SCALE <b>2:1</b>	CURRENT REV DESC: SEE REVISION HISTORY	<b>molex</b>		
GENERAL TOLERANCES (UNLESS SPECIFIED)		EC NO: 622761			
ANGULAR TOL ± 0.5°		DRWN: TMARRI 2019/07/24	PRODUCT CUSTOMER DRAWING		
4 PLACES ±		CHK'D: CWANG67 2019/08/22	DOCUMENT NUMBER		
3 PLACES ±		APPR: RNELSON 2019/09/04	SD-170071-0004		
2 PLACES ± 0.13		INITIAL REVISION:	DOC TYPE	DOC PART	REVISION
1 PLACE ± 0.25		DRWN: JKACHLIC 2015/06/24	PSD	001	A
0 PLACES ±		APPR: MBANAKIS 2015/06/25	MATERIAL NUMBER		SHEET NUMBER
DRAFT WHERE APPLICABLE MUST REMAIN WITHIN DIMENSIONS	THIRD ANGLE PROJECTION	DRAWING	SEE CHART	CUSTOMER	4 OF 5
		C-SIZE	GENERAL MARKET		
		SERIES			
		170071			



H  
G  
F  
E  
D  
C  
B  
A

REVISION HISTORY		
DATE	REV.	DESCRIPTION
2019/07/26	A	1.REMASTER FROM MM INTO ECTR. 2.ADD 2X1 1700711004 INTO P/N CHART. 3.ADD NOTES IN SHEET3 FOR KEEP OUT ZONE AREA.

THIS DRAWING CONTAINS INFORMATION THAT IS PROPRIETARY TO MOLEX ELECTRONIC TECHNOLOGIES, LLC AND SHOULD NOT BE USED WITHOUT WRITTEN PERMISSION

DIMENSION UNITS	SCALE	CURRENT REV DESC: SEE REVISION HISTORY		<b>molex</b>				
mm	1:1							
GENERAL TOLERANCES (UNLESS SPECIFIED)		EC NO: 622761		ZSFP+ STACKED FLOW THRU WITH ELASTOMERIC GASKET				
ANGULAR TOL	± 0.5°	DRWN: TMARRI 2019/07/24						
4 PLACES	±	CHK'D: CWANG67 2019/08/22		PRODUCT CUSTOMER DRAWING				
3 PLACES	±	APPR: RNELSON 2019/09/04						
2 PLACES	± 0.13	INITIAL REVISION:		DOCUMENT NUMBER				
1 PLACE	± 0.25	DRWN: JKACHLIC 2015/06/24						
0 PLACES	±	APPR: MBANAKIS 2015/06/25		SD-170071-0004		DOC TYPE	DOC PART	REVISION
DRAFT WHERE APPLICABLE MUST REMAIN WITHIN DIMENSIONS		THIRD ANGLE PROJECTION	DRAWING	SERIES	MATERIAL NUMBER	CUSTOMER	SHEET NUMBER	
			C-SIZE	170071		GENERAL MARKET	5 OF 5	

DOCUMENT STATUS	P1	RELEASE DATE	2019/09/04 07:37:08
-----------------	----	--------------	---------------------