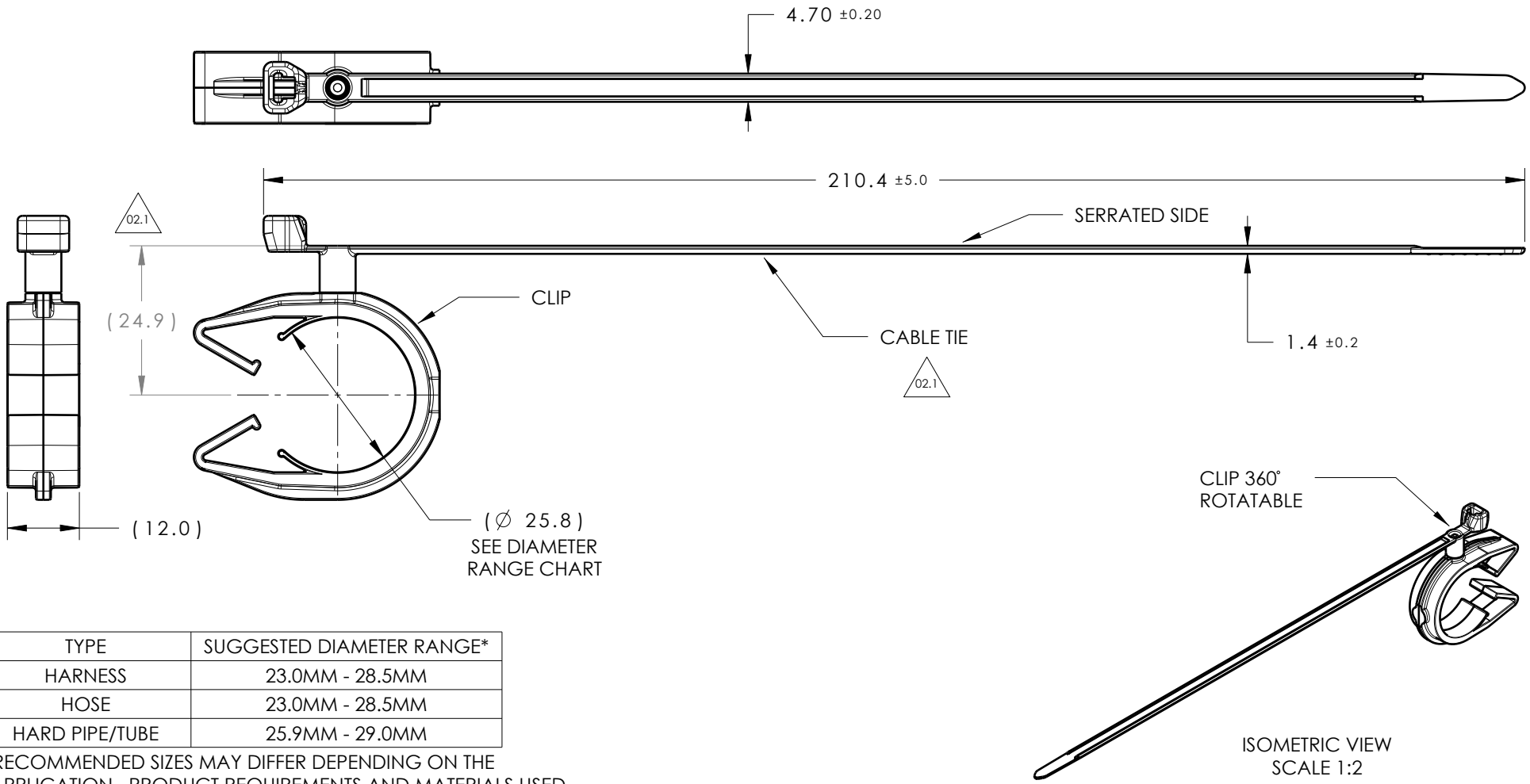


Revision Level			Revision Record	Changed	Date	Approved	Date
Drawing	State	Part					
02.1	Design Release	-	SEE ECN# 014539	CTF	07/27/2018	TAT	07/27/2018



GLOBAL PART DESCRIPTION		BUNDLE RANGE	CABLE TIE			CLIP**		
			DRAWING	MATERIAL	COLOR	DRAWING	MATERIAL	COLOR
T50SMVCMOC26M-PA66HIRHSUV-BK		2 TO 50	14-0606-012-CSU	PA66HIRHSUV	BLACK	16-0325-000-CSU	PA66HIRHSUV	BLACK
Material SEE CHART COLOR: SEE CHART	Units millimeters Tolerance defined on each dimension	The copyright of this drawing is reserved by HellermannTyton. It is issued on condition that it is not reproduced, copied or disclosed to a third party, either wholly or in part, without the consent of HellermannTyton.	Drawn	TAT	5/17/17	Article/Type-No T50SMVCMOC26M		Scale 1:1
			Approved	EJH	5/31/17	Title T50SMVC CABLE TIE COUPLED TO 26MM MOC		Project Number 16-0325
			 North America Email: corp@htamericas.com Web: www.hellermann.tyton.com			Drawing-No	PRODUCTION : Phase	Format AH
						16-0325-302-CSU		