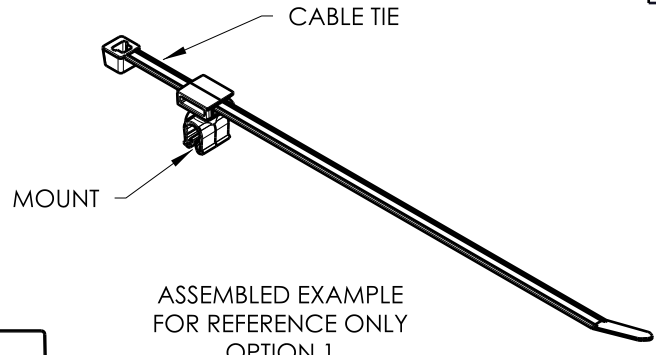
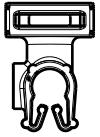


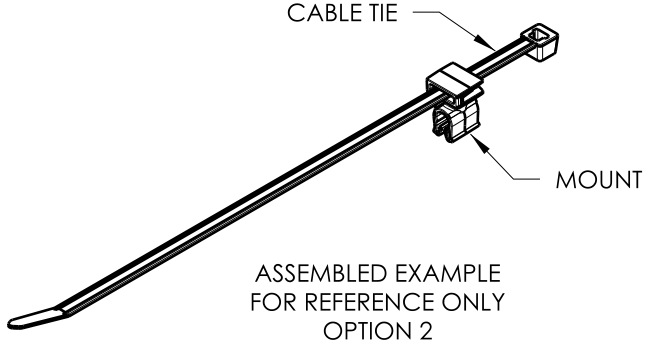
Revision Level			Revision Record	Changed	Date	Approved	Date
Drawing	State	Part					
01.1	Design Release	-	SEE ECN# 14864	EJH	1/16/2019	TAT	1/17/2019



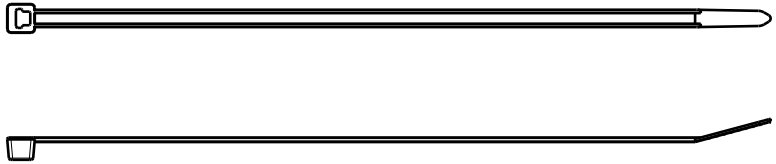
ASSEMBLED EXAMPLE FOR REFERENCE ONLY
OPTION 1



MOC5SAD
DELIVERY CONDITION: UNASSEMBLED SET
SCALE 1:1



ASSEMBLED EXAMPLE FOR REFERENCE ONLY
OPTION 2

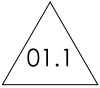


CABLE TIE
DELIVERY CONDITION: UNASSEMBLED SET

TYPE	SUGGESTED DIAMETER RANGE*
HARNESS	4.5MM-5.3MM
HOSE	4.0MM-5.3MM
HARD PIPE/TUBE	4.8MM-5.5MM

*RECOMMENDED SIZES MAY DIFFER DEPENDING ON THE APPLICATION, PRODUCT REQUIREMENTS AND MATERIALS USED

**PATENT PENDING 29/582,271



GLOBAL PART DESCRIPTION	BUNDLE RANGE	CABLE TIE			CLIP**		
		DRAWING	MATERIAL	COLOR	DRAWING	MATERIAL	COLOR
T50RMOC5SAD-SET-PA66HIRHSUV-BK	4 TO 50	CT2050007CST	PA66HIRHSUV	BLACK	16-0313-008-CSU	PA66HIRHSUV	BLACK

Material SEE CHART COLOR: SEE CHART	Units	millimeters	The copyright of this drawing is reserved by HellermannTyton. It is issued on condition that it is not reproduced, copied or disclosed to a third party, either wholly or in part, without the consent of HellermannTyton.	Drawn	TAT	4/13/18	Article/Type-No	T50RMOC5SAD	Scale	1:2		
	Tolerance defined on each dimension	Approved		EJH	4/17/18	Title	5MM (3/16") MOC WITH T50R CABLE TIE	Project Number	16-0313			
		HellermannTyton North America Email: corp@htamericas.com Web: www.hellermann.tyton.com						Drawing-No	PRODUCTION : Phase	Format	AH	
								16-0313-108-CSU		Sheet	1/1	