

MATERIAL NO.	ENGINEERING NO.	FINISHED LENGTH
1300060219	103000A01F0302	3 FT. (0.91 M)
1300060256	103000A01F4002	40 FT. (12.19 M)
1300062250	103000A01F8002	80 FT. (24.38 M)

CABLE LENGTH TOLERANCES

<.3M [1FT]: +19mm-0 [+.75in-0]

.3 - .9M [1 - 3FT]: +44.5mm-0 [+1.75in-0]

.9 - 1.8M [3 - 6FT]: +55.6mm-0 [+2.19in-0]

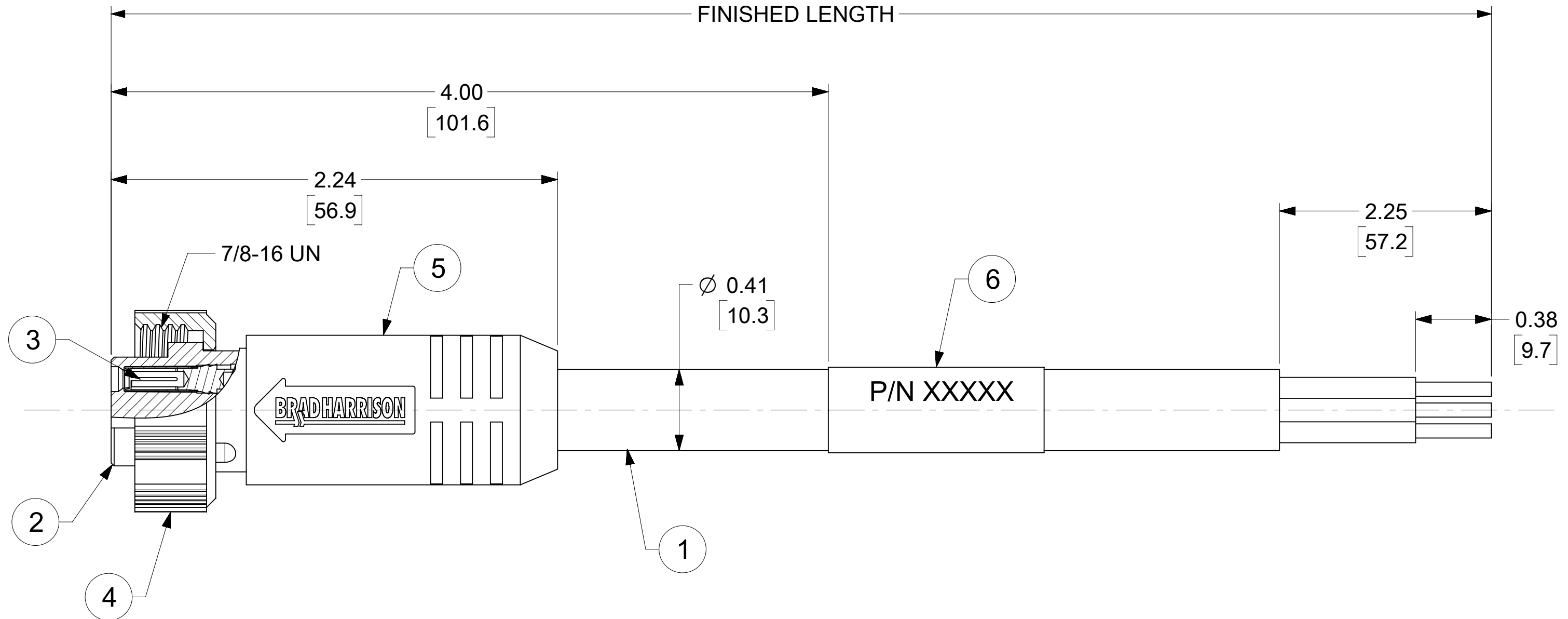
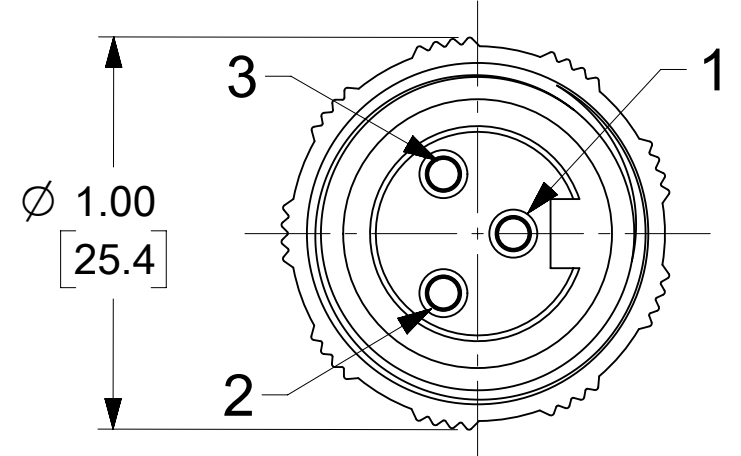
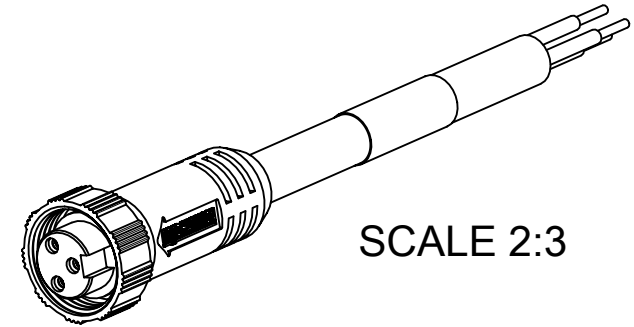
1.8 - 3.7M [6 - 12FT]: +88.9mm-0 [+3.50in-0]

3.7 - 7.3M [12 - 24FT]: +165.1mm-0 [+6.50in-0]

7.3-14.6M [24 - 48FT]: +317.5mm-0 [+12.50in-0]

14.6 - 30.5M [48-100FT]: +622.3mm-0 [+24.50in-0]

OVER 30M [100FT] +2% OF FINISHED LENGTH



- NOTES:**
- MATERIAL: AS NOTED
 - FINISH: AS NOTED
 - ELECTRICAL:
 - VOLTAGE: 500V PER IEC60664 (B)
 - 600V PER UL2238
 - CURRENT: 13A
 - TEMP RATING: -20°C TO +105°C (B)
 - PROTECTION: IP67 (WHEN MATED)
 - CSA CERTIFIED FILE: LR6837 (B)
 - UL RECOGNIZED FILE: E152210
 - ASSEMBLY IS ROHS COMPLIANT
 - ALL DIMS ARE FOR REFERENCE UNLESS TOLERANCED OR NOTED OTHERWISE

WIRING DIAGRAM

1	GREEN/YELLOW
2	BLACK
3	WHITE

PART NUMBER MATRIX (B)

103000A01F0602

FINISHED LENGTH
 F001= .1 FT
 F020= 2 FT
 F200= 20 FT

ITEM	DESCRIPTION	MATERIAL	FINISH
6	WRAP LABEL	VINYL	BLACK/YELLOW
5	OVERMOLD	TPE	YELLOW
4	COUPLING NUT	NYLON	GRAY
3	SOCKET CONTACT	Cu ALLOY	GOLD OVER NICKEL
2	FEMALE INSERT	TPE	YELLOW
1	#16-3 YELLOW STOOV/ST	PVC JACKET	YELLOW

FUNCTIONAL SYMBOLS	THIS DRAWING CONTAINS INFORMATION THAT IS PROPRIETARY TO MOLEX ELECTRONIC TECHNOLOGIES, LLC AND SHOULD NOT BE USED WITHOUT WRITTEN PERMISSION			
	DIMENSION UNITS	SCALE	CURRENT REV DESC: UPDATED ITEM #2, 5 & DIA. ADDED CSA, UL, IEC VOLT & TEMP, TOL. CHART & PART NO. MATRIX. MODIFIED PN CHART	
	INCH/MM	2:1	EC NO: 673727	
	GENERAL TOLERANCES (UNLESS SPECIFIED)		DRWN: VHANDI 2021/05/21	
DIVISIONAL SYMBOLS	4 PLACES	±	±	CHK'D: RSTONE 2021/08/25
	3 PLACES	±	±	APPR: BWOODMAN 2021/08/27
	2 PLACES	±	± 0.01	INITIAL REVISION:
	1 PLACE	± 0.3	±	DRWN: RSTONE 2012/11/28
0 PLACES	±	±	APPR: JFMURPHY 2013/03/01	
ANGULAR TOL ± 2.0 °		THIRD ANGLE PROJECTION		
DRAFT WHERE APPLICABLE MUST REMAIN WITHIN DIMENSIONS		DRAWING	SERIES	MATERIAL NUMBER
		C-SIZE	130006	SEE TABLE
		CUSTOMER		SHEET NUMBER
		GENERAL MARKET		1 OF 1



MINI-CHANGE CORDSET, A SIZE, 3 POLE FEMALE, STRAIGHT, SINGLE KEY, 16 AWG

PRODUCT CUSTOMER DRAWING

DOCUMENT NUMBER: SD-130006-047