

NOTES:

1) MATERIALS:

HOUSING - LIQUID CRYSTAL POLYMER, UL94 V-0, NATURAL  
 CHICKLET - LIQUID CRYSTAL POLYMER, UL94 V-0, BLACK  
 CONTACT - TIN BRASS

2) CONTACT PLATING FINISH:

0.76 MICRON MIN. SELECT GOLD AND  
 3.81 MICRON MIN. SELECT TIN/LEAD OVER  
 1.27 MICRON MIN. NICKEL OVERALL

3) HOUSING PLATING FINISH:

0.10 MICRON MAX. IMMERSION GOLD OVER  
 3.81 MICRON MIN. NICKEL OVER  
 3.81 MICRON MIN. COPPER OVERALL

4) 4.5mm 12 PAIR PLUG ASSEMBLY SHOWN.

5) PART CONFORMS TO MOLEX COSMETIC SPECIFICATION ES-75005-001.

6) PART PERFORMS TO MOLEX PRODUCT SPECIFICATION PS-75005-001.

7) PACKAGE PER PK-75003-002.

8) FOR AUTO-PLACEMENT APPLICATIONS: PCB ORIENTATION HOLE TO BE  $\phi 1.65 \pm 0.05$   
 FOR HAND PLACEMENT APPLICATIONS: PCB ORIENTATION HOLE TO BE  $\phi 1.45 \pm 0.05$

9) THIS DIMENSION CONTROLS THE STACK HEIGHT OF THE MATED CONNECTORS.

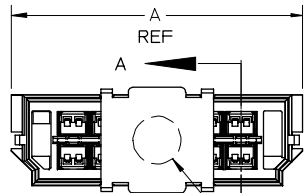
10) PLEASE REFER TO MOLEX APPLICATION SPECIFICATION AS-75005-001 FOR SUITABLE PROCESSING TEMPERATURES, PERMISSIBLE OFFSETS, AND MATING SEQUENCES.

11) THESE PLATED THRU HOLES SHOULD BE CONNECTED TO SIGNAL GROUND.

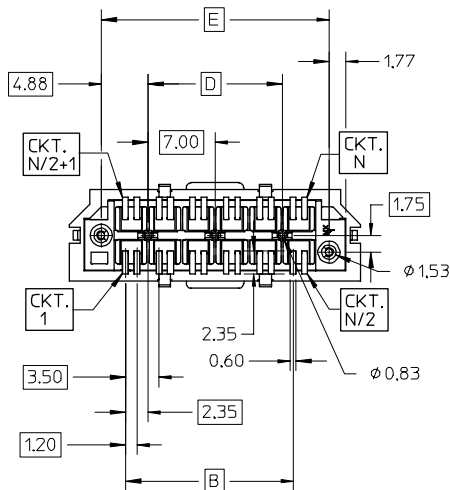
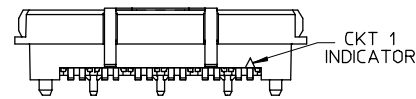
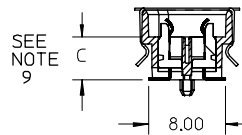
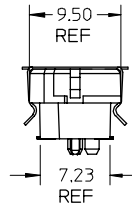
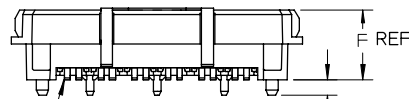
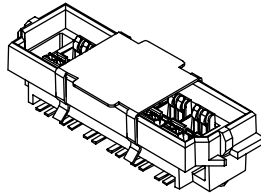
12) THIS PART MATES WITH THE 75005 RECEPTACLE.

13) THIS PART IS RECOMMENDED TO BE PLACED ON THE MEZZANINE CARD.

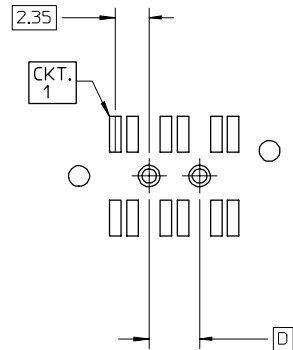
14) HOUSING IS CONDUCTIVE. UNINSULATED TRACES MUST BE KEPT OUT OF KEEP-OUT ZONE.



$\phi 5.00$  MAX PICK AND PLACE AREA



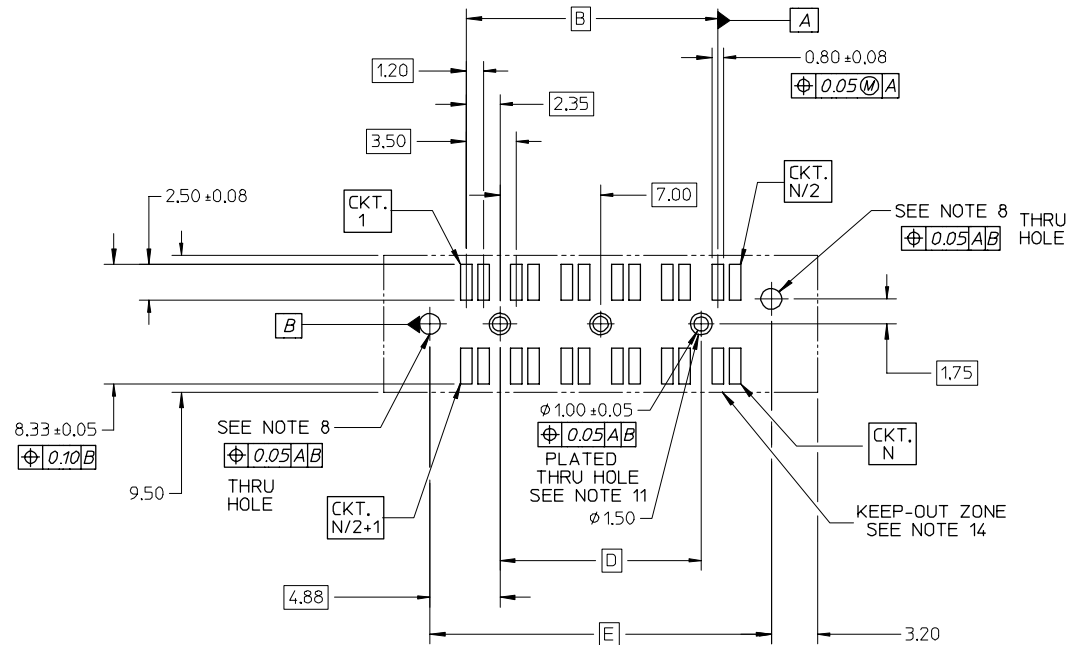
EC NO: UCP2003-0301 DRWN:KSTILES 2002/11/15 CHKD: 2002/11/15 APPR:MBANAKIS 2002/11/18	QUALITY SYMBOLS ▽ = 0 ▽ = 0	GENERAL TOLERANCES (UNLESS SPECIFIED)		SCALE 2:1	DESIGN UNITS METRIC	THIRD ANGLE PROJECTION	REVISE ON CAD ONLY
DESCRIPTION				DIMENSION STYLE MM ONLY		TITLE SALES DRAWING FOR HIGH SPEED MEZZANINE PLUG	
						MOLEX INCORPORATED	
REV				DRAWN BY KSTILES	DATE 2001/10/24	MATERIAL NO. SEE CHART	DOCUMENT NO. SD-75003-001
				CHECKED BY KREGNIER	DATE 2001/10/25		
				APPROVED BY MBANAKIS	DATE 2001/12/13		SHEET NO. 1 OF 3
				THIS DRAWING CONTAINS INFORMATION THAT IS PROPRIETARY TO MOLEX INCORPORATED AND SHOULD NOT BE USED WITHOUT WRITTEN PERMISSION			



COMPONENT SIDE SHOWN  
RECOMMENDED PCB THICKNESS: 1.57mm

FOR 12 CIRCUIT OPTION.

FOR DIMENSIONS NOT SHOWN REFER TO  
THE 24-72 CIRCUIT PCB LAYOUT.



COMPONENT SIDE SHOWN  
RECOMMENDED PCB THICKNESS: 1.57mm  
FOR CIRCUIT SIZES FROM 24-72 CIRCUITS.

EC NO: UCP2003-0301 DRWN:KSTILES 2002/11/15 CHKD: 2002/11/15 APPR:MBANAKIS 2002/11/18	QUALITY SYMBOLS ▽ = 0 ▽ = 0	GENERAL TOLERANCES (UNLESS SPECIFIED)		SCALE 3:1	DESIGN UNITS METRIC	THIRD ANGLE PROJECTION	REVISE ON CAD ONLY
			mm	INCH	DIMENSION STYLE MM ONLY	TITLE SALES DRAWING FOR HIGH SPEED MEZZANINE PLUG	
		4 PLACES	± ---	± ---	DRAWN BY KSTILES	DATE 2001/10/24	MATERIAL NO. SEE CHART
		3 PLACES	± ---	± ---	CHECKED BY KREGNIER	DATE 2001/10/25	
		2 PLACES	± 0.13	± ---	APPROVED BY MBANAKIS	DATE 2001/12/13	DOCUMENT NO. SD-75003-001
		1 PLACE	± 0.25	± ---	SHEET NO. 2 OF 3		
		ANGULAR ± 1/2°		THIS DRAWING CONTAINS INFORMATION THAT IS PROPRIETARY TO MOLEX INCORPORATED AND SHOULD NOT BE USED WITHOUT WRITTEN PERMISSION			
		DRAFT WHERE APPLICABLE					
		MUST REMAIN WITHIN DIMENSIONS					

NUMBER OF CIRCUITS	NUMBER OF DIFFERENTIAL PAIRS	MATERIAL NUMBER	A	B	C	D	E	F	PEG STYLE
12	6	NOT TOOLED	19.91	7.00	4.50	3.50	13.25	7.25	C-PEG
12	6	750030305	19.91	7.00	5.50	3.50	13.25	8.25	C-PEG
12	6	NOT TOOLED	19.91	7.00	6.50	3.50	13.25	9.25	C-PEG
12	6	750030308	19.91	7.00	8.50	3.50	13.25	11.25	C-PEG
12	6	750030310	19.91	7.00	10.50	3.50	13.25	13.25	C-PEG
12	6	NOT TOOLED	19.91	7.00	12.50	3.50	13.25	15.25	C-PEG
24	12	NOT TOOLED	30.41	17.50	4.50	14.00	23.75	7.25	C-PEG
24	12	750030005	30.41	17.50	5.50	14.00	23.75	8.25	C-PEG
24	12	NOT TOOLED	30.41	17.50	6.50	14.00	23.75	9.25	C-PEG
24	12	750030008	30.41	17.50	8.50	14.00	23.75	11.25	C-PEG
24	12	750030010	30.41	17.50	10.50	14.00	23.75	13.25	C-PEG
24	12	NOT TOOLED	30.41	17.50	12.50	14.00	23.75	15.25	C-PEG

NUMBER OF CIRCUITS	NUMBER OF DIFFERENTIAL PAIRS	MATERIAL NUMBER	A	B	C	D	E	F	PEG STYLE
48	24	NOT TOOLED	51.41	38.50	4.50	35.00	44.75	7.25	C-PEG
48	24	750030105	51.41	38.50	5.50	35.00	44.75	8.25	C-PEG
48	24	NOT TOOLED	51.41	38.50	6.50	35.00	44.75	9.25	C-PEG
48	24	NOT TOOLED	51.41	38.50	8.50	35.00	44.75	11.25	C-PEG
48	24	750030110	51.41	38.50	10.50	35.00	44.75	13.25	C-PEG
48	24	NOT TOOLED	51.41	38.50	12.50	35.00	44.75	15.25	C-PEG
72	36	NOT TOOLED	72.41	59.50	4.50	56.00	65.75	7.25	C-PEG
72	36	750030205	72.41	59.50	5.50	56.00	65.75	8.25	C-PEG
72	36	NOT TOOLED	72.41	59.50	6.50	56.00	65.75	9.25	C-PEG
72	36	NOT TOOLED	72.41	59.50	8.50	56.00	65.75	11.25	C-PEG
72	36	750030210	72.41	59.50	10.50	56.00	65.75	13.25	C-PEG
72	36	NOT TOOLED	72.41	59.50	12.50	56.00	65.75	15.25	C-PEG

EC NO: UCP2003-0301 DRWN:KSTILES 2002/11/15 CHKD: MBANAKIS 2002/11/15 APPR: MBANAKIS 2002/11/18	QUALITY SYMBOLS ▽ = 0 ◻ = 0	GENERAL TOLERANCES (UNLESS SPECIFIED)		SCALE 3:1	DESIGN UNITS METRIC	THIRD ANGLE PROJECTION	REVISE ON CAD ONLY		
				DIMENSION STYLE MM ONLY		TITLE SALES DRAWING FOR HIGH SPEED MEZZANINE PLUG			
				DRAFT WHERE APPLICABLE MUST REMAIN WITHIN DIMENSIONS		APPROVED BY DATE MBANAKIS 2001/12/13		MATERIAL NO. SEE CHART DOCUMENT NO. SD-75003-001 SHEET NO. 3 OF 3	
						THIS DRAWING CONTAINS INFORMATION THAT IS PROPRIETARY TO MOLEX INCORPORATED AND SHOULD NOT BE USED WITHOUT WRITTEN PERMISSION			