

XDSE Series SPDs

Square D™ Hard Wired Surge Protective Devices (SPDs)

Square D™ brand XDSE Surge Protective Devices (SPDs) are surge suppressors with noise filtering in a compact package.

The robust design of the XDSE allows surge suppression to be externally installed adjacent to electrical distribution equipment. XDSE devices are designed to provide high-quality surge suppression for a wide variety of commercial, industrial or institutional applications.

Features

Superior Performance

Square D™ XDSE SPDs utilize a high-energy parallel design that provides all modes of suppression at 100,000, 150,000 and 200,000 peak Amps of surge current rating per phase. XDSE SPDs contain a suppression circuit that not only provides transient suppression, but also EMI/RFI noise filtration.



Each MOV is individually fused and incorporates patented overvoltage technology innovations that provide superior overvoltage withstand capability for systems with unstable power, without compromising transient clamping performance.

These products have a NEMA type 4X rating suitable for installing indoors, outdoors, or in other harsh environments. reduce maintenance costs.

Warranty

Square D™ XDSE SPDs have a 10-year limited warranty.

Features	Advantages	Benefits
NEMA 4X Rated	Allows installation in outdoor applications	Provides surge suppression to vulnerable equipment powered from weather-exposed panels
Overvoltage technology	Superior overvoltage withstand and surge suppression	Longer product life and increased tolerance to unstable power conditions
EMI/RFI Noise Rejection	Increased transient suppression	Improves surge suppression to the equipment
Sine Wave Tracking	Enhanced EMI/RFI noise rejection for increased filtering	Improved performance with added filtering components, UL1283 listed
LED Status Indication	Allows visual indication of the suppressor's status	Provides immediate response if suppressor is damaged
Audible Alarm/Dry Contacts	Provides audible indication and changed relay state of failed components	Immediate notification through audible alarm, and remote signaling via dry contacts, if reduced suppression occurs
Coordinated Fuse Technology	Coordinated fusing allows disconnection methods for thermal and high-current events with no external overcurrent protection required	Provides premium surge suppression while managing both thermal and overcurrent end-of-life events

Specifications

XDSE Series SPDs	
Performance	
Surge Current Rating per Phase	100kA, 150kA & 200kA
Inominal (I _n)	20kA
Short Circuit Current Rating	200kAIC
Modes of Protection	All
Fusing	
Thermal Fusing	Yes
Overcurrent Fusing	Yes
EMI/RFI Filtering (UL Type 1)	-34 dB
Sine Wave Tracking (UL Type 2)	-50 dB
Operating Frequency	50/60 Hz
Repetitive Impulse	5,000
Mechanical Description	
Enclosure	Non-Metallic
NEMA Ratings	NEMA 4X
Connection Method	#8 - #14 AWG Terminals
Mounting Method/Circuit Type	Parallel
Operating Altitude	Sea Level-12,000' (3,658 m)
Storage Temperature	-40° F (-40° C) to 140° F (60° C)
Operating Temperature	-15° F (-25° C) to 140° F (60° C)
Operating Humidity	0 to 95% non-condensing
Weight	4 lbs. (1.8 kg.)
Options	
Remote Monitor	TVS12RMU
Flush Mount Kit	XDSEMKF

Flexible Installation

Square D™ XDSE SPDs are wired into the panel through a lug connection inside the NEMA type 4X enclosure. This allows easy mounting near the circuit breaker for minimum lead length which maximizes device performance.

Devices can be surface mounted or flush mounted with optional XDSEMKF flush mount kit

Listings and Performance

- Type 1: UL 1449 4th Edition, CSA 22.2 No. 269.1
- Type 2: UL 1449 4th Edition, CSA 22.2, No. 269.2, UL 1283 5th Edition
- Complies with UL 96A Master Label requirements for Lighting Protection Systems

XDSE Series Ordering Options

Voltage	Surge Current Rating	Catalog Numbers		UL 1449 Test Data					
		Catalog Number (UL 1449 Type 1)	Catalog Number w/ Sine Wave Tracking (UL 1449 Type 2)	Voltage Protection Ratings (VPR)				SCCR	MCOV
				L-N	L-G	N-G	L-L		
120/240V, 1Ø, 3W+G, Split [1][6][7]	100kA	SSP01XDSE10A1	SSP01XDSE10A	700	700	700	1200	20kA	150
	150kA	SSP01XDSE15A1	SSP01XDSE15A						
	200kA	SSP01XDSE20A1	-						
208Y/120V, 3Ø, 4W+G, Wye [2][6]	100kA	SSP02XDSE10A1	SSP02XDSE10A	700	700	700	1200	20kA	150
	150kA	SSP02XDSE15A1	SSP02XDSE15A						
	200kA	SSP02XDSE20A1	SSP02XDSE20A						
240/120V, 3Ø, 4W+G, HLD [6]	100kA	SSP03XDSE10A1	SSP03XDSE10A	700/1200	700/1200	700	1200/2000	20kA	150/320
	150kA	SSP03XDSE10A1	SSP03XDSE15A						
	200kA	SSP03XDSE20A1	SSP03XDSE20A						
240V, 3Ø, 3W+G, Delta	100kA	SSP06XDSE10A1	SSP06XDSE10A	-	1200	-	2000	20kA	320
	150kA	SSP06XDSE10A1	SSP06XDSE15A						
	200kA	SSP06XDSE20A1	SSP06XDSE20A						
480Y/277V, 3Ø, 4W+G, Wye [3][6]	100kA	SSP04XDSE10A1	SSP04XDSE10A	1200	1200	1200	2000	20kA	320
	150kA	SSP04XDSE10A1	SSP04XDSE15A						
	200kA	SSP04XDSE20A1	SSP04XDSE20A						
480V, 3Ø, 3W+G, Delta [4]	100kA	SSP05XDSE10A1	SSP05XDSE10A	-	1800	-	2000	20kA	552
	150kA	SSP05XDSE10A1	SSP05XDSE15A						
	200kA	SSP05XDSE20A1	SSP05XDSE20A						
600Y/347V, 3Ø, 4W+G, Wye [6]	100kA	SSP08XDSE10A1	SSP08XDSE10A	1500	1500	1500	2500	20kA	420
	150kA	SSP08XDSE10A1	SSP08XDSE15A						
	200kA	SSP08XDSE20A1	SSP08XDSE20A						
600V, 3Ø, 3W+G, Delta [5]	100kA	SSP09XDSE10A1	SSP09XDSE10A	-	2500	-	2500	20kA	690

[1] 120/240V series also applies to the following voltage 127/254V.

[2] 208Y/120V series also applies to the following voltage 220Y/127V.

[3] 480Y/277V series also applies to the following voltages 380Y/220V, 400Y/230V and 415Y/240V.

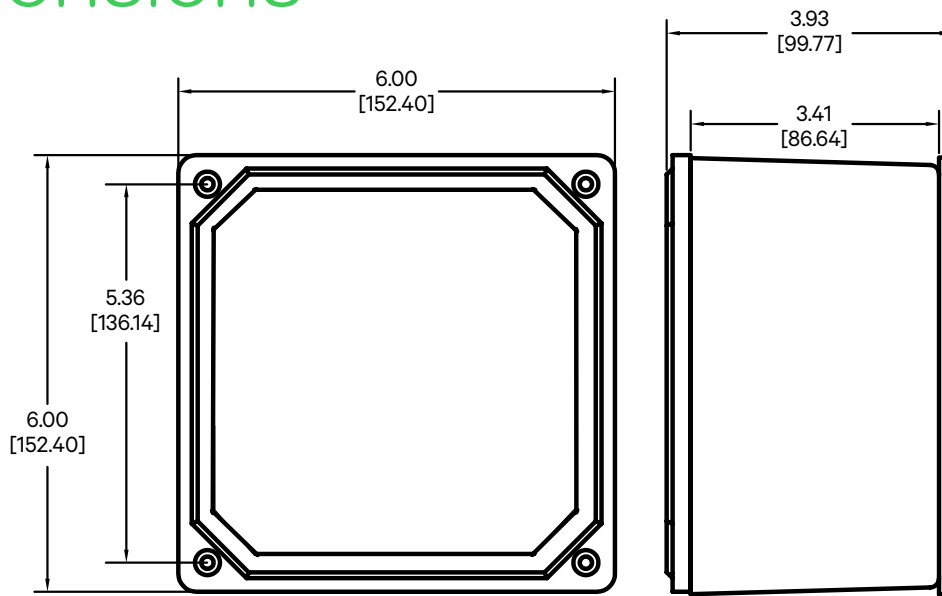
[4] 480V Delta series also applies to the following voltage 480Y/277V HRG.

[5] 600V Delta series also applies to the following voltage 600Y/347V HRG.

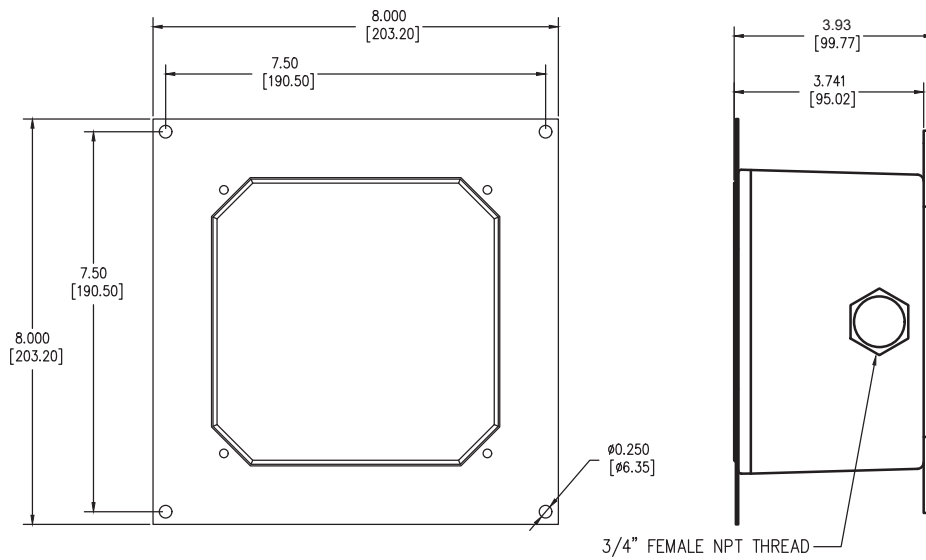
[6] Do not use on ungrounded systems. Systems must be solidly grounded.

[7] 120/240S series also applies to the following voltage 120 1Ø, 2W+G. Connect two phase conductors under one phase terminal.

Dimensions



Flush Mount Kit Dimensions



se.com/us/en/work/support

Life Is On

Schneider
Electric

Schneider Electric
6700 Tower Cir #700
Franklin, TN 37067