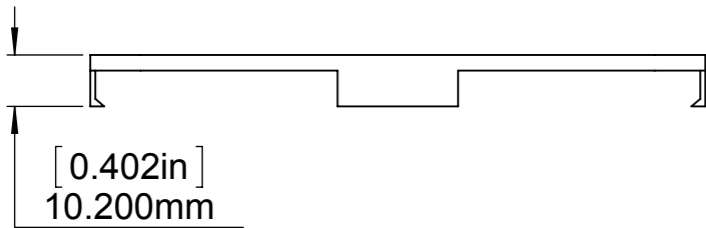
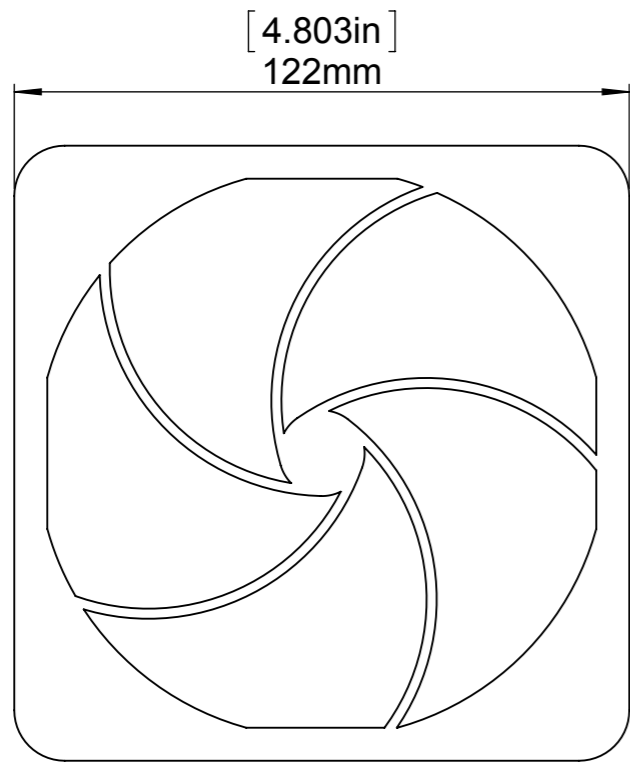
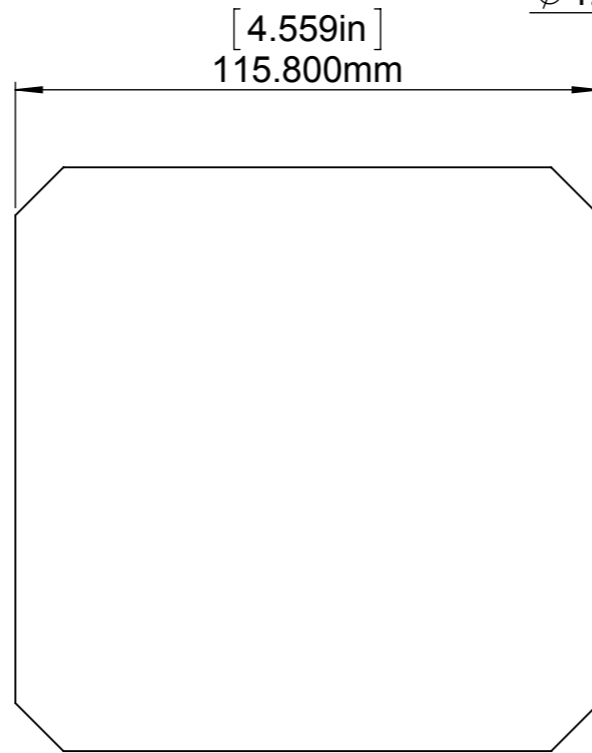


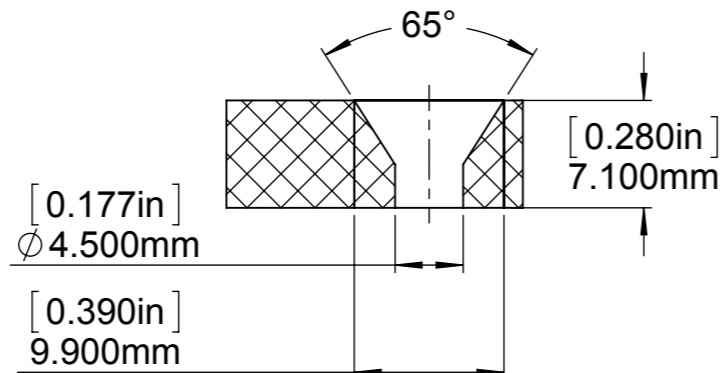
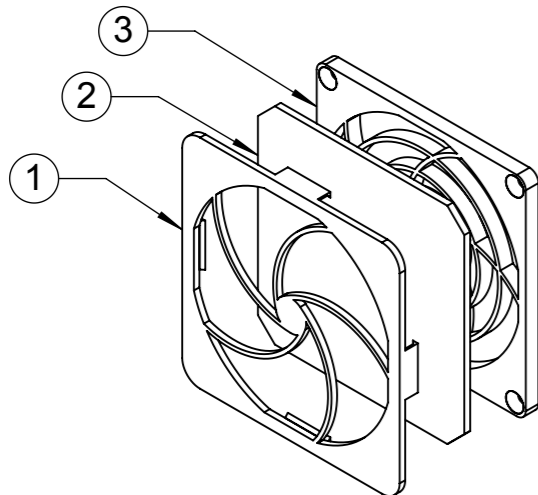
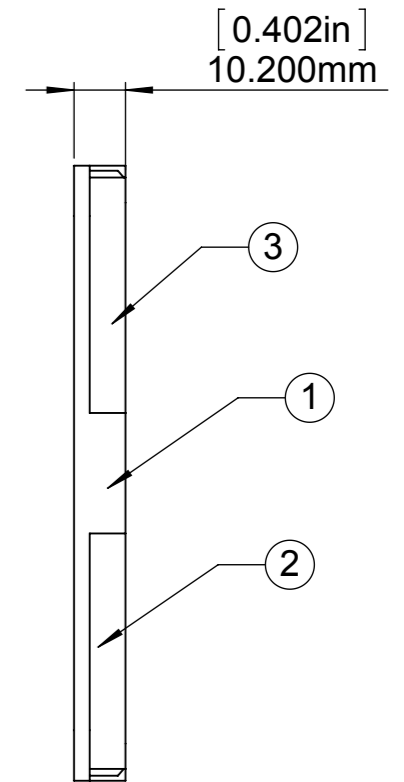
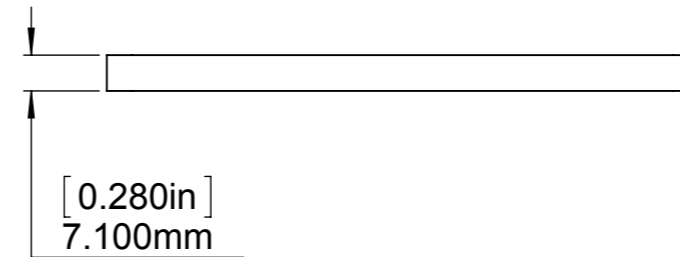
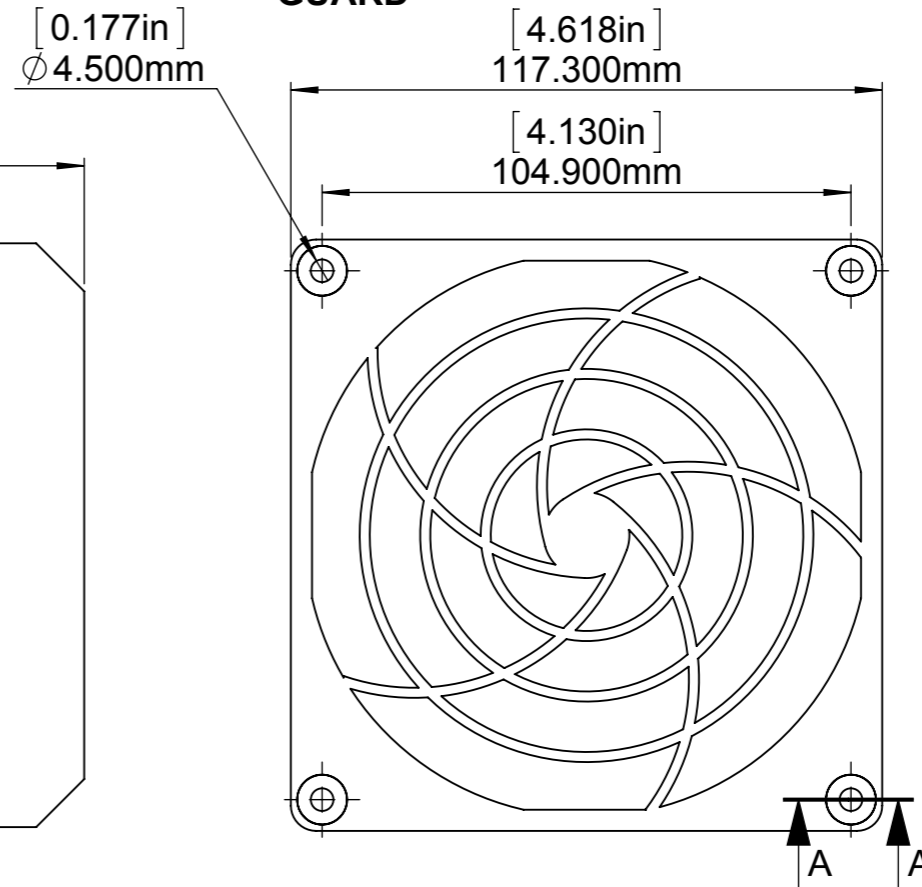
RETAINER



FILTER



GUARD



SECTION A-A
SCALE 2 : 1

ITEM NO.	DESCRIPTION	MATERIAL	QTY.
1	RETAINER	Plastic UL94V-O	1
2	FILTER	Polyurethane Foam UL94HF-1 45PPI	1
3	GUARD	Plastic UL94V-O	1

NAME	SIGNATURE	DATE			
DRAWN HI-TECH					
CHK'D					
APPV'D					
MFG			THICKNESS:	SEE PART DETAIL	
Q.A			MATERIAL:	SEE PART DETAIL	
			WEIGHT:	101.077kg	SCALE: 1:1.5

GARDTEC INC.

PLASTIC FAN ASSEMBLY

ASSEMBLY NO. SC120-P15/45

A3
SHEET 1 OF 1

THIS DRAWING IS THE PROPERTY OF GARDTEC INC AND IS NOT TO BE PRODUCED FOR OR COMMUNICATED TO ANY THIRD PARTY WITHOUT SPECIFIC WRITTEN APPROVAL OF AN OFFICER OF GARDTEC INC.