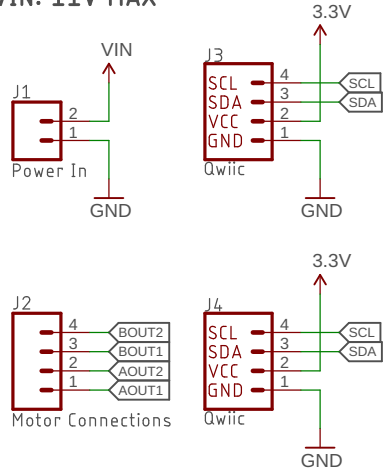
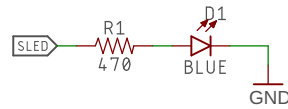


Connectors

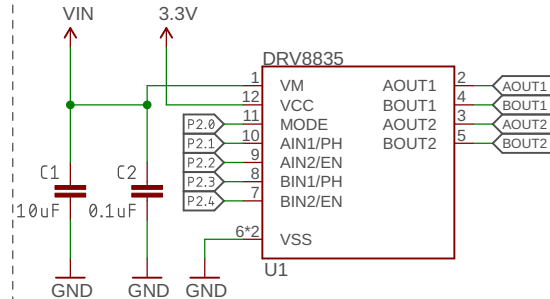
VIN: 11V MAX



Status LED



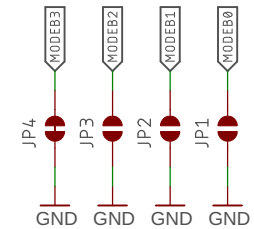
H-Bridge Driver



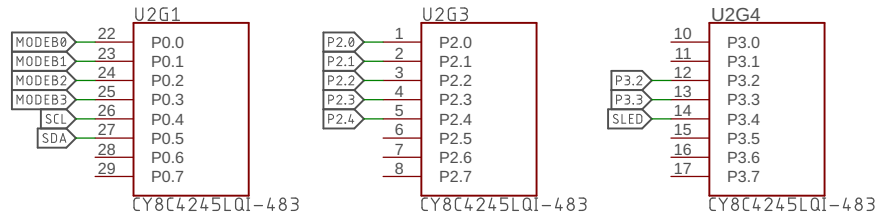
Config Jumpers

The default (all open) is the UART mode. A '1' indicates the jumper is bridged.

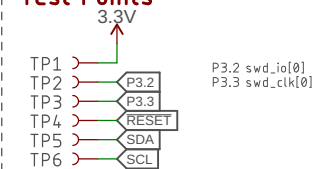
- 0000: UART
- 0001: SPI
- 0010: Slave device (User port unused)
- 0011: I2C addr 0x58
- 0100: I2C addr 0x59
- 0101: I2C addr 0x5A
- 0110: I2C addr 0x5B (...)
- 1100: I2C addr 0x61
- 1101: I2C addr 0x62
- 1110: I2C addr 0x63
- 1111: Reserved



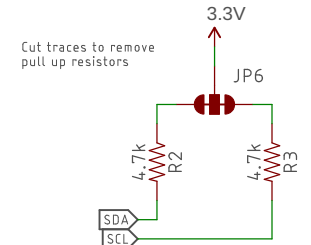
PSoC I/O



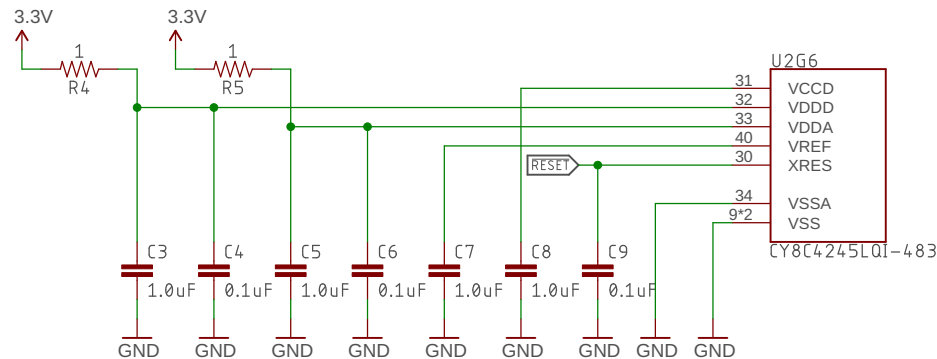
Test Points



I2C Jumper



PSoC Power and Filtering



Released under the Creative Commons

Attribution Share-Alike 4.0 License

<https://creativecommons.org/licenses/by-sa/4.0/>



TITLE: SparkFun_Qwiic_Motor_Driver

Design by: Alex Wende

REV:
v10

Date: 8/26/2019 11:00 AM

Sheet: 1/1