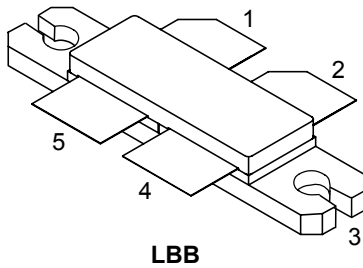


120 W 50 V RF power LDMOS transistor from HF to 1.5 GHz



Features

Order code	Frequency	V _{DD}	P _{OUT}	Gain	Efficiency
RF5L15120CB4	1000 MHz	50 V	120 W	20 dB	60%

- High efficiency and linear gain operations
- Integrated ESD protection
- Large positive and negative gate/source voltage range
- Excellent thermal stability, low HCI drift
- In compliance with the european directive 2002/95/EC

Applications

- Broadband commercial communications
- TV broadcast
- Avionics
- Industrial

Description

The RF5L15120CB4 is a 120 W LDMOS FET, designed for broadband commercial communications, TV Broadcast, Avionics and industrial applications with frequencies from HF to 1.5 GHz. It can be used in class AB/B and class C for all typical modulation formats.

Pin connection	
Pin	Connection
1	Drain A
2	Drain B
3	Source (bottom side)
4	Gate B
5	Gate A



Product status link
RF5L15120CB4

Product summary	
Order code	RF5L15120CB4
Marking	RF5L15120CB4
Package	LBB
Packing	Tape and reel 13"
Base/bulk quantity	100/100

1 Electrical data

1.1 Absolute ratings

Table 1. Absolute maximum ratings ($T_{CASE} = 25\text{ °C}$)

Symbol	Parameter	Value	Unit
$V_{(BR)DSS}$	Drain-source voltage	95	V
V_{GS}	Gate-source voltage	-8/+10	V
V_{DD}	Maximum operating voltage	55	V
T_J	Maximum junction temperature	+200	°C
T_{STG}	Storage temperature range	-65 to +150	°C

1.2 Thermal data

Table 2. Thermal data

Symbol	Parameter	Value	Unit
$R_{thj-case}$	Junction-case thermal resistance	0.7	°C/W

Note: $T_{CASE} = +85\text{ °C}$, $T_J = +200\text{ °C}$, DC test.

1.3 ESD protection characteristics

Table 3. ESD protection

Symbol	Test methodology	Class
HBM	Human body model (per JESD22-A114)	2

2 Electrical characteristics

2.1 Static

Table 4. Static

Symbol	Parameter	Test conditions	Min.	Typ.	Max.	Unit
$V_{(BR)DSS}$	Drain-source breakdown voltage	$V_{GS} = 0\text{ V}, I_{DS} = 0.5\text{ mA}$	95			V
I_{DSS}	Zero gate voltage drain leakage current	$V_{GS} = 0\text{ V}, V_{DS} = 90\text{ V}$			1	μA
		$V_{GS} = 0\text{ V}, V_{DS} = 50\text{ V}$				
I_{GSS}	Gate-source leakage current	$V_{GS} = 10\text{ V}, V_{DS} = 0\text{ V}$			100	nA
		$V_{GS} = -8\text{ V}, V_{DS} = 0\text{ V}$				
$V_{GS(th)}$	Gate threshold voltage	$V_{DS} = 50\text{ V}, I_{DS} = 600\text{ }\mu\text{A}$	2		2.8	V
$V_{GS(Q)}$	Gate quiescent voltage	$V_{DS} = 50\text{ V}, I_{DS} = 400\text{ mA}$	2		6	V
$V_{DS(on)}$	Static drain-source on-voltage	$V_{GS} = 10\text{ V}, I_{DS} = 2\text{ A}$			1.2	V
$I_{DS(on)}$	Static drain-source on-current	$V_{GS} = 10\text{ V}, V_{DS} = 100\text{ mV}$			2.5	A
$R_{DS(on)}$	Drain-source on-state resistance	$V_{GS} = 10\text{ V}, V_{DS} = 100\text{ mV}$			1	Ω
C_{ISS}	Common source input capacitance	$V_{GS} = 0\text{ V}, V_{DD} = 50\text{ V},$ $f = 1\text{ MHz}$		56		pF
C_{RSS}	Common source feedback capacitance			0.6		pF
C_{OSS}	Common source output capacitance			23		pF

2.2 Dynamic

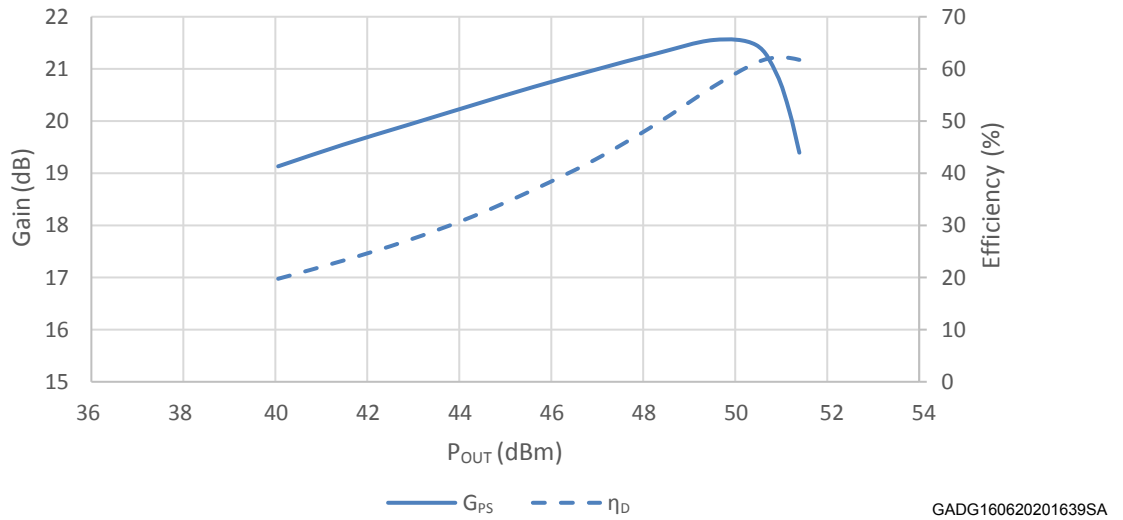
Table 5. Dynamic

Symbol	Parameter	Test conditions	Min.	Typ.	Max.	Unit
f	Frequency				1500	MHz
P_{OUT}	Output power	f = 1000 MHz, at 1dB compression point, pulsed CW		120		W
G_{PS}	Power gain			20		dB
η_D	Drain efficiency			60		%
VSWR	Load mismatch	At 120 W pulsed CW output power, all phase angles			10:1	

Note: $V_{DD} = 50\text{ V}, I_{DQ} = 100\text{ mA},$ pulse width = 100 $\mu\text{s},$ duty cycle = 10%.

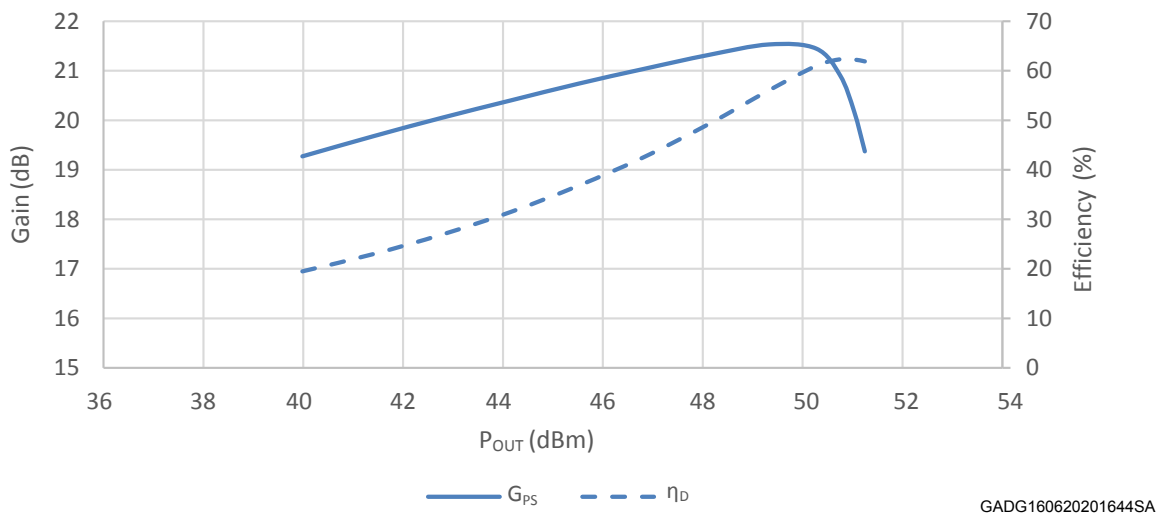
3 Typical performances

Figure 1. Power gain and drain efficiency versus output power (f = 1000 MHz, pulsed CW)



Note: $V_{DD} = 50\text{ V}$, $I_{DQ} = 100\text{ mA}$, pulsed CW; pulse width = 100 μs , duty cycle = 10%.

Figure 2. Power gain and drain efficiency versus output power (f = 1000 MHz, CW)

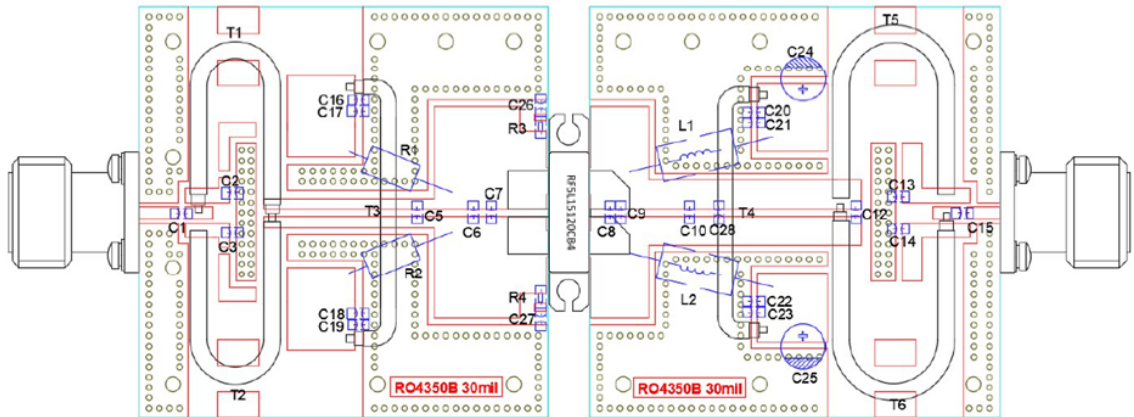


Note: $V_{DD} = 50\text{ V}$, $I_{DQ} = 100\text{ mA}$.

4 Test circuit

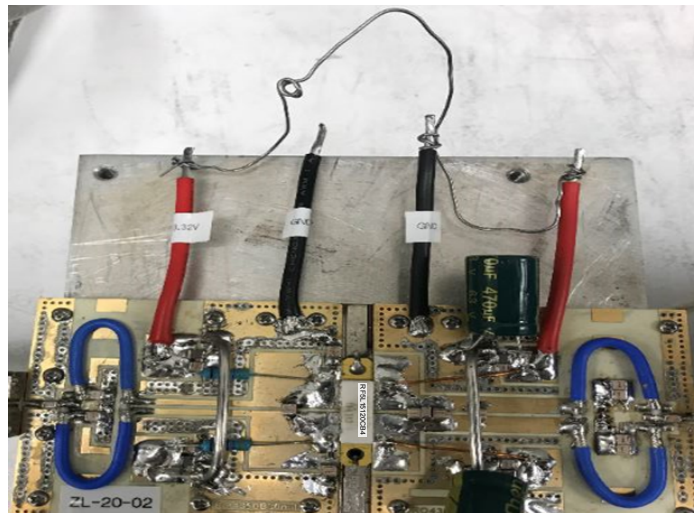
4.1 Test circuit layout

Figure 3. Test circuit layout (f = 1000 MHz)



GADG170620201720SA

Figure 4. Test circuit photo (f = 1000 MHz)



GADG160620201621SA

Table 6. Components list

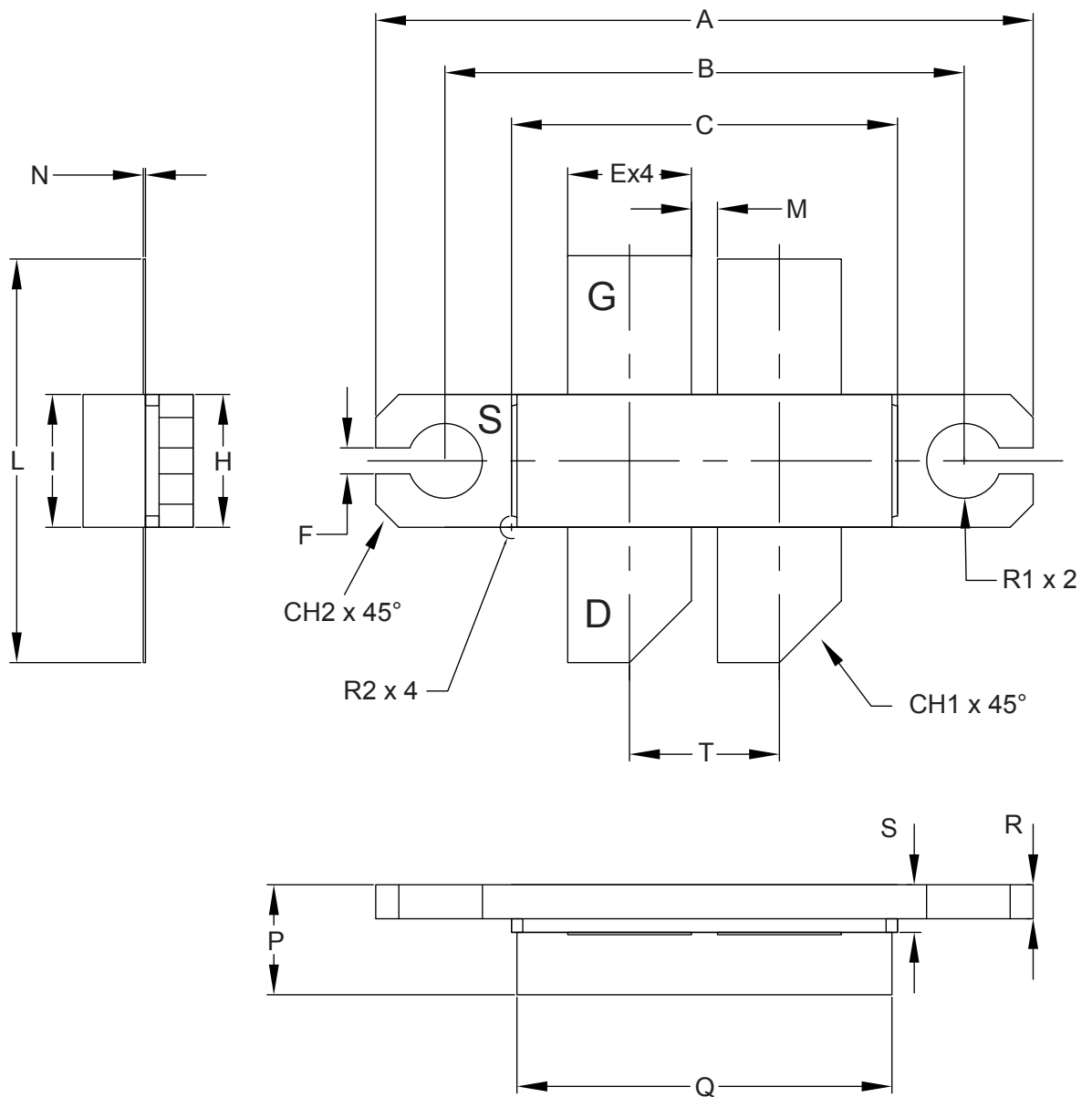
Component	Description	Suggested manufacturer
C1, C2, C3, C13, C14, C15, C17, C18, C21, C22, C26, C27	120 pF	ATC800B
C5	6.8 pF	ATC800B
C6	5.6 pF	ATC800B
C7	10 pF	ATC800B
C12	3.3 pF	ATC800B
C8, C9, C10, C28	8.2 pF	ATC800B
C16, C19, C20, C23	Ceramic multilayer capacitor, 10 μ F, 100 V	10 μ F/100 V
R1, R2	Metal film resistor, 200 Ω	
R4, R5	Chip resistor, 13 Ω , 1206	
L1, L2	Copper wire, cross section diameter 0.8 mm	
C24, C25	Electrolytic capacitor, 470 μ F, 63 V	
PCB	0.762 mm [0.030"] thick, $\epsilon_r= 3.48$, Rogers RO4350B, 1 oz. copper	

5 Package information

In order to meet environmental requirements, ST offers these devices in different grades of **ECOPACK** packages, depending on their level of environmental compliance. ECOPACK specifications, grade definitions and product status are available at: www.st.com. ECOPACK is an ST trademark.

5.1 LBB package information

Figure 5. LBB package outline



DM00666717_2

Table 7. LBB mechanical data

Symbol	Millimeters		
	Min.	Typ.	Max.
A	28.82	28.95	29.08
B	22.73	22.86	22.99
C	16.87	17.00	17.13
E	5.32	5.45	5.58
F	1.01	1.14	1.27
H	5.72	5.85	5.98
I	5.72	5.85	5.98
L	17.65	17.78	17.91
M	1.02	1.15	1.28
N		0.10	
P	4.72	4.85	4.98
Q	16.38	16.51	16.64
R	1.37	1.50	1.63
S	1.97	2.10	2.23
T		6.60	
CH1		2.72	
CH2		1.02	
R1		1.65	
R2		0.50	

Revision history

Table 8. Document revision history

Date	Version	Changes
16-Jun-2020	1	First release

Contents

1	Electrical data	2
1.1	Absolute ratings	2
1.2	Thermal data	2
1.3	ESD protection characteristics	2
2	Electrical characteristics	3
2.1	Static	3
2.2	Dynamic	3
3	Typical performances	4
4	Test circuit	5
4.1	Test circuit layout	5
5	Package information	7
5.1	LBB package information	7
	Revision history	9

IMPORTANT NOTICE – PLEASE READ CAREFULLY

STMicroelectronics NV and its subsidiaries (“ST”) reserve the right to make changes, corrections, enhancements, modifications, and improvements to ST products and/or to this document at any time without notice. Purchasers should obtain the latest relevant information on ST products before placing orders. ST products are sold pursuant to ST’s terms and conditions of sale in place at the time of order acknowledgement.

Purchasers are solely responsible for the choice, selection, and use of ST products and ST assumes no liability for application assistance or the design of Purchasers’ products.

No license, express or implied, to any intellectual property right is granted by ST herein.

Resale of ST products with provisions different from the information set forth herein shall void any warranty granted by ST for such product.

ST and the ST logo are trademarks of ST. For additional information about ST trademarks, please refer to www.st.com/trademarks. All other product or service names are the property of their respective owners.

Information in this document supersedes and replaces information previously supplied in any prior versions of this document.

© 2020 STMicroelectronics – All rights reserved