

NOTES

A : MODEL NAME, INPUT VOLTAGE RANGE, NOMINAL OUTPUT VOLTAGE, MAXIMUM OUTPUT CURRENT, COUNTRY OF MANUFACTURE AND SAFETY MARKING (FOR ONLY APPROVED PRODUCTS) ARE SHOWN HERE IN ACCORDANCE WITH THE SPECIFICATIONS.

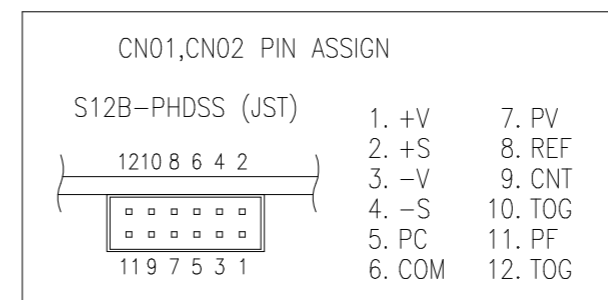
B : M4 TAPPED HOLES (16) FOR CUSTOMER CHASSIS MOUNTING. (SCREWS MUST NOT PROTRUDE INTO POWER SUPPLY BY MORE THAN 6m/m. RECOMMENDED M4 SCREWS TORQUE : 1.27N·m

C : I/O SIGNAL CONNECTOR

- CONNECTOR : S12B-PHDSS(LF)(SN) (JST)
- MATCHING HOUSING : PHDR-12VS (JST)
- MATCHING CONTACT : SPHD-002T-P0.5(AWG28~24) (JST) OR SPHD-001T-P0.5(AWG26~22) (JST) OR BPHD-001T-P0.5(AWG26~22) (JST)
- HAND CRIMPING TOOL : YRS-620(SPHD-002T-P0.5) (JST) YC-610R(SPHD-001T-P0.5) (JST) YC-610R(BPHD-001T-P0.5) (JST)

D : RECOMMENDED TORQUE FOR THE TERMINAL PIECE.
 INPUT TERMINAL (M4 SCREW) : 1.27N·m
 OUTPUT TERMINAL (M8 BOLT & NUT) : 10.8N·m
 OUTPUT TERMINAL (M4 SCREW) : 1.27N·m

SIGNAL CONNECTOR INFORMATION



ACCESSORIES

* ATTACHED CONNECTOR (3-7V)
 SHORTING +S~(+), -S~(-), PV~REF & CNT~TOG ATTACHED ON CN01 AT SHIPMENT

* ATTACHED CONNECTOR (12-60V)
 SHORTING +S~+V, -S~-V, PV~REF & CNT~TOG ATTACHED ON CN01 AT SHIPMENT

OPTIONAL MODELS

MODEL	COATING
HWS1500-*	
HWS1500-*/CO	○

(unit : mm)

MODEL NAME	HWS1500 /
TDK-Lambda	

DA006-02-01K