

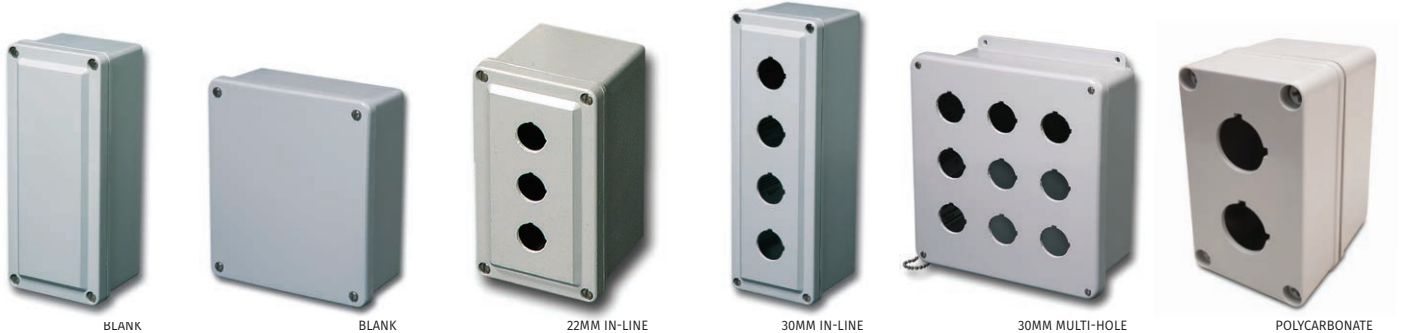
Commander™

FROM ATTABOX™ | A BRAND OF ROBROY® ENCLOSURES

Proven Protection From A Complete Environmental Seal

Commander™ Series offers a full range of sizes in fiberglass-reinforced polyester, and polycarbonate enclosures, with blank covers, and a choice of push button openings for 22mm and 30mm hardware. They feature a continuous polyurethane gasket that provides the critically reliable, long-term protection of a complete environmental seal.

Commander™ Series enclosures are ideal for compact or portable control or simply as a small junction box. They are available with a flush cover for unobstructed enclosure sides, which include soft, rounded edges, and virtually no pocket areas to trap debris. Larger sizes have an overhang cover design with molded-in panel mount inserts and all sizes include a lift over cover with captive screws.



COMMANDER SERIES ATTRIBUTES

- Memory retaining continuous polyurethane gasket
- Captive stainless steel cover screws on fiberglass option
- Captive polymer cover screws on polycarbonate option
- Chemically resistant fiberglass reinforced polyester or polycarbonate
- Submersible, non corrosive, environmental design
- High impact resistance

COMMANDER SERIES INDUSTRY STANDARDS

UL/cUL File #	E64358 / E319779
NEMA Ratings (UL508A, UL50 & UL50e)	1, 3R, 4X, 6P, 12
CSA Std. C22.2 File #	LR069014 (Fiberglass only)
IEC 60529 Ratings	IP66, IP67, IP68
UL 1741 File #	E333478 (Fiberglass only)
Temperature Range (Fiberglass)	(-76°F to +274°F) (-60°C to +134°C)
Temperature Range (Polycarb.)	(-20°F to +240°F) (-29°C to +115°C)
Flammability Rating	UL94-5V
Self extinguishing	Non-halogenated, non-flame propagating
NFPA No. 101 Flame Spread	Class A (1)
Impact Rating	IK10
Certifications	cULus, CSA, IEC, REACH, RoHS
Outdoor UV Exposure (UL 746C)	(f1) Rated
Plenum Space Rating (UL 2043)	Yes (Fiberglass only)
Chemical Resistance	Visit AttaBox.com

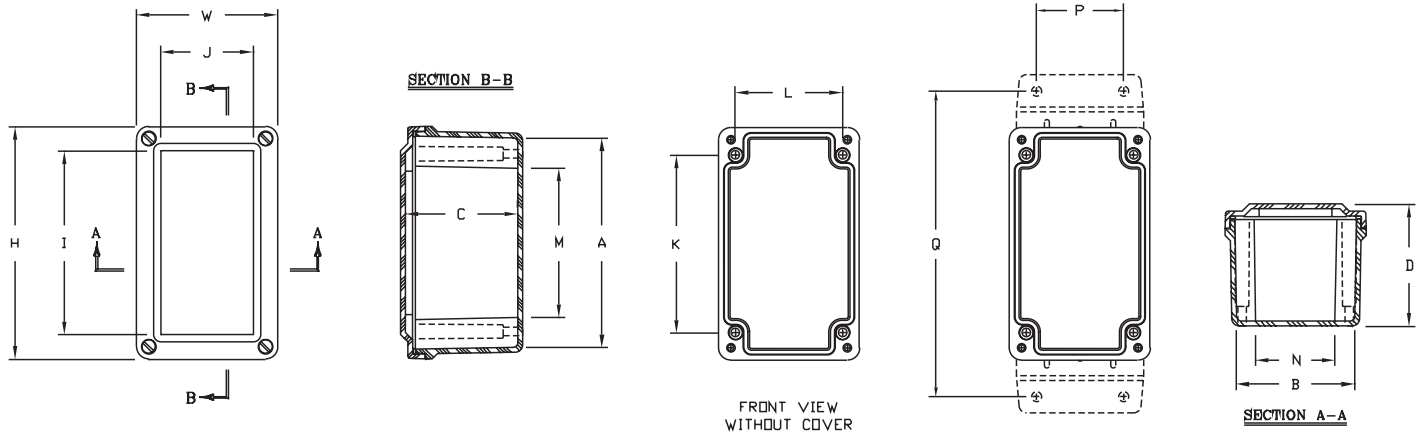
Commander | Fiberglass | Blank

4 COVER SCREWS, LIFT OFF COVER



CONSTRUCTION

Material (Box & Cover)	Hot compression molded fiberglass reinforced polyester (thermoset)
Gasket Material	Poured polyurethane seamless gasket
Cover Screw Material	Recessed captive 304 stainless steel
Cover Screw Size	#10-24 x 3/4
Cover Screw Torque	20-24 in.-lbs.
Enclosure mounting	Mounting wells located under the cover/outside the gasket area
Soft Edge Design	Rounded edges, minimal protrusions or exposed pocket areas for assembly of dust and debris



COMMANDER SERIES FIBERGLASS BLANK CONFIGURATION DIMENSIONS

SIZE ID NUMBER	OVERALL H X W X D	INSIDE A X B X C	I	J	K	L	M	N	P	Q	SHIPPING WEIGHT
*C0332	3.72 x 3.63 x 2.95 (95 x 92 x 75)	3.13 x 3.03 x 2.70 (79 x 77 x 69)	0 (0)	0 (0)	2.31 (59)	2.75 (70)	1.59 (40)	2.03 (52)	2.2 (56)	4.4 (112)	0.9 lbs.
C0532	5.97 x 3.63 x 3.14 (152 x 92 x 80)	5.38 x 3.03 x 2.87 (137 x 77 x 73)	4.72 (120)	2.38 (61)	4.56 (116)	2.75 (70)	3.84 (98)	2.03 (52)	2.2 (56)	6.7 (169)	1.2 lbs.
C0644	6.63 x 3.81 x 3.89 (168 x 97 x 99)	6.00 x 3.19 x 3.63 (153 x 81 x 92)	5.31 (135)	2.50 (64)	4.88 (124)	2.94 (75)	4.13 (105)	2.19 (56)	2.2 (56)	7.3 (186)	1.5 lbs.
C0832	8.41 x 3.63 x 3.14 (214 x 92 x 80)	7.82 x 3.03 x 2.87 (199 x 77 x 73)	7.16 (182)	2.38 (60)	7.00 (178)	2.75 (70)	6.28 (160)	2.03 (52)	2.2 (56)	9.1 (231)	1.5 lbs.
C0844	8.88 x 3.81 x 3.89 (225 x 97 x 99)	8.26 x 3.19 x 3.63 (210 x 81 x 92)	7.56 (192)	2.50 (64)	7.13 (181)	2.94 (75)	6.38 (162)	2.19 (56)	2.2 (56)	9.6 (243)	1.8 lbs.
C0932	9.35 x 3.63 x 3.14 (237 x 92 x 80)	8.75 x 3.03 x 2.87 (222 x 77 x 73)	8.10 (206)	2.38 (60)	7.94 (202)	2.75 (70)	7.22 (183)	2.03 (52)	2.2 (56)	10.1 (256)	1.6 lbs.
C01144	11.13 x 3.81 x 3.89 (283 x 97 x 99)	10.51 x 3.19 x 3.63 (267 x 81 x 92)	9.81 (249)	2.50 (64)	9.37 (238)	2.94 (75)	8.63 (219)	2.19 (56)	2.2 (56)	11.8 (300)	2.1 lbs.
C01432	13.78 x 3.63 x 3.14 (350 x 92 x 80)	13.19 x 3.03 x 2.87 (335 x 77 x 73)	12.53 (318)	2.38 (60)	12.37 (314)	2.75 (70)	11.66 (296)	2.03 (52)	2.2 (56)	14.5 (368)	2.1 lbs.
C01732	17.35 x 3.63 x 3.14 (441 x 92 x 80)	16.75 x 3.03 x 2.87 (426 x 77 x 73)	16.10 (409)	2.38 (60)	15.94 (405)	2.75 (70)	15.22 (387)	2.03 (52)	2.2 (56)	18 (458)	2.8 lbs.

*Flat Cover
All measures are in inches, items in parentheses are in millimeters

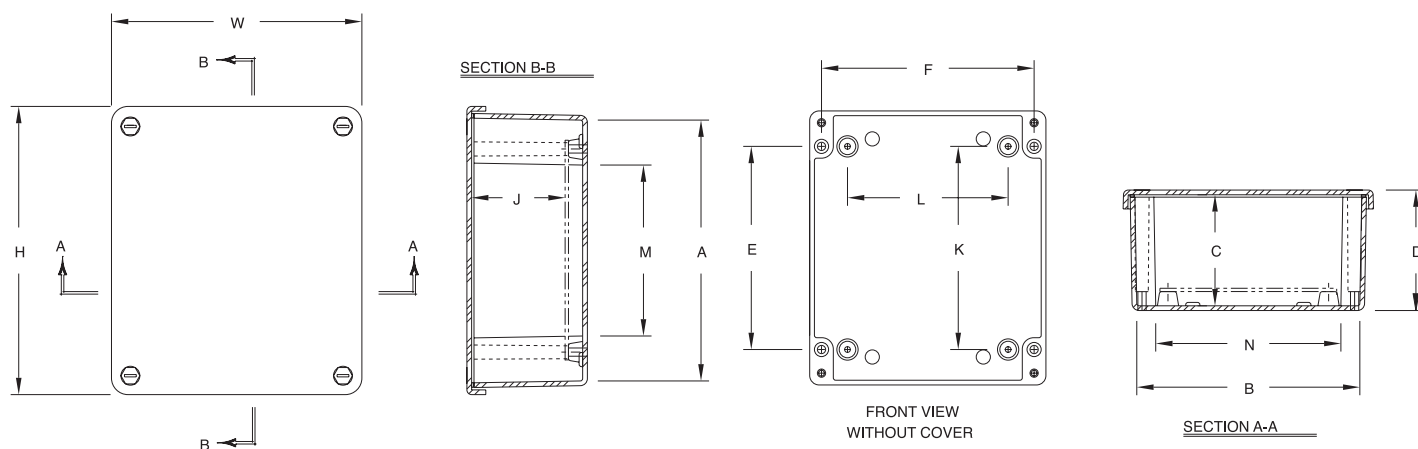
Commander | Fiberglass | Blank

4 COVER SCREWS, LIFT OFF COVER



CONSTRUCTION

Material (Box & Cover)	Hot compression molded fiberglass reinforced polyester (thermoset)
Gasket Material	Poured polyurethane seamless gasket
Cover Screw Material	Recessed captive 304 stainless steel
Cover Screw Size	#10-24 x 3/4
Cover Screw Torque	20-24 in.-lbs.
Enclosure mounting	Mounting wells located under the cover/outside the gasket area
Back Panel Screw Size	#10-32x3/8
Panel Mounting	Raised bosses with brass inserts accepting #10-32x3/8 screws for optional panel mounting
Soft Edge Design	Rounded edges, minimal protrusions or exposed pocket areas for assembly of dust and debris



COMMANDER SERIES FIBERGLASS BLANK CONFIGURATION DIMENSIONS

SIZE ID NUMBER	OVERALL H X W X D	INSIDE A X B X C	MOUNTING E X F	J	K	L	M	N	SHIPPING WEIGHT	PANEL NUMBER
C0763	7.63 x 6.63 x 3.19 (194 x 168 x 81)	6.90 x 5.90 x 2.88 (175 x 150 x 73)	5.37 x 5.63 (137 x 143)	2.48 (63)	5.37 (137)	4.25 (108)	4.52 (115)	4.9 (124)	2.5 lbs.	BP76*
C0963	9.87 x 6.63 x 3.19 (251 x 168 x 81)	9.15 x 5.90 x 2.88 (232 x 150 x 73)	7.62 x 5.63 (194 x 143)	2.48 (63)	7.62 (194)	4.25 (108)	6.77 (172)	4.9 (124)	2.6 lbs.	BP96*

*Panel ordered separately
All measures are in inches, items in parentheses are in millimeters

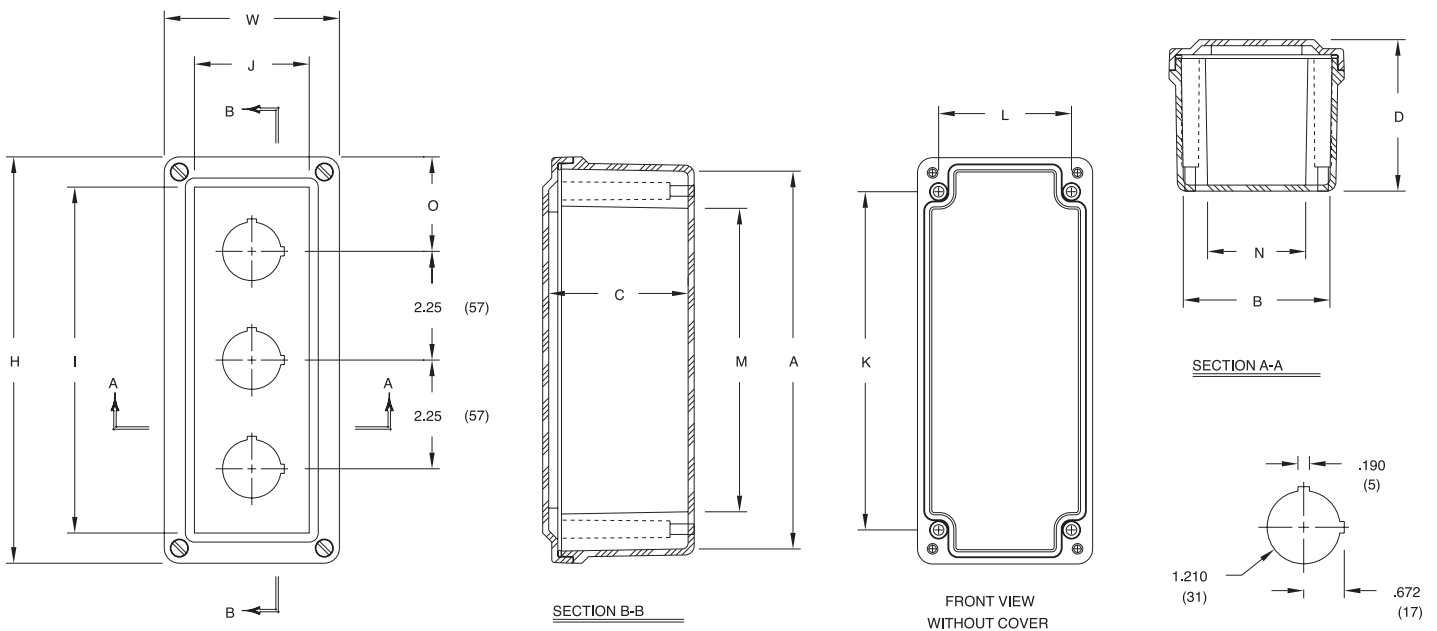
Commander | Fiberglass | 30mm In-Line Configuration

4 COVER SCREWS, LIFT OFF COVER



CONSTRUCTION

Material (Box & Cover)	Hot compression molded fiberglass reinforced polyester (thermoset)
Gasket Material	Poured polyurethane seamless gasket
Cover Screw Material	Recessed captive 304 stainless steel
Cover Screw Size	#10-24 x 3/4
Cover Screw Torque	20-24 in.-lbs.
Enclosure mounting	Mounting wells located under the cover/outside the gasket area
Soft Edge Design	Rounded edges, minimal protrusions or exposed pocket areas for assembly of dust and debris



COMMANDER SERIES FIBERGLASS 30mm IN-LINE CONFIGURATION DIMENSIONS

SIZE ID NUMBER	OVERALL H X W X D	INSIDE A X B X C	I	J	K	L	M	N	O	SHIPPING WEIGHT
CO1PB	6.63 x 3.81 x 3.89 (168 x 97 x 99)	6.00 x 3.19 x 3.63 (153 x 81 x 92)	5.31 (135)	2.5 (64)	4.88 (124)	2.94 (75)	4.13 (105)	2.19 (56)	3.31 (84)	1.5 lbs.
CO2PB	6.63 x 3.81 x 3.89 (168 x 97 x 99)	6.00 x 3.19 x 3.63 (153 x 81 x 92)	5.31 (135)	2.5 (64)	4.88 (124)	2.94 (75)	4.13 (105)	2.19 (56)	2.19 (56)	1.5 lbs.
CO3PB	8.88 x 3.81 x 3.89 (225 x 97 x 99)	8.26 x 3.19 x 3.63 (210 x 81 x 92)	7.56 (192)	2.5 (64)	7.13 (181)	2.94 (75)	6.38 (162)	2.19 (56)	2.19 (56)	1.8 lbs.
CO4PB	11.13 x 3.81 x 3.89 (283 x 97 x 99)	10.51 x 3.19 x 3.63 (267 x 81 x 92)	9.81 (249)	2.5 (64)	9.37 (238)	2.94 (75)	8.63 (219)	2.19 (56)	2.19 (56)	2.0 lbs.
CO5PB	13.78 x 3.63 x 3.14 (350 x 92 x 80)	13.19 x 3.03 x 2.87 (335 x 77 x 73)	12.53 (318)	2.38 (60)	12.37 (314)	2.75 (70)	11.66 (296)	2.03 (52)	2.39 (61)	2.1 lbs.
CO6PB	17.35 x 3.63 x 3.14 (441 x 92 x 80)	16.75 x 3.03 x 2.87 (426 x 77 x 73)	16.1 (409)	2.38 (60)	15.94 (405)	2.75 (70)	15.22 (387)	2.03 (52)	3.05 (77)	3.0 lbs.

All measures are in inches, items in parentheses are in millimeters.
Note: Shown CO3PB for Reference.

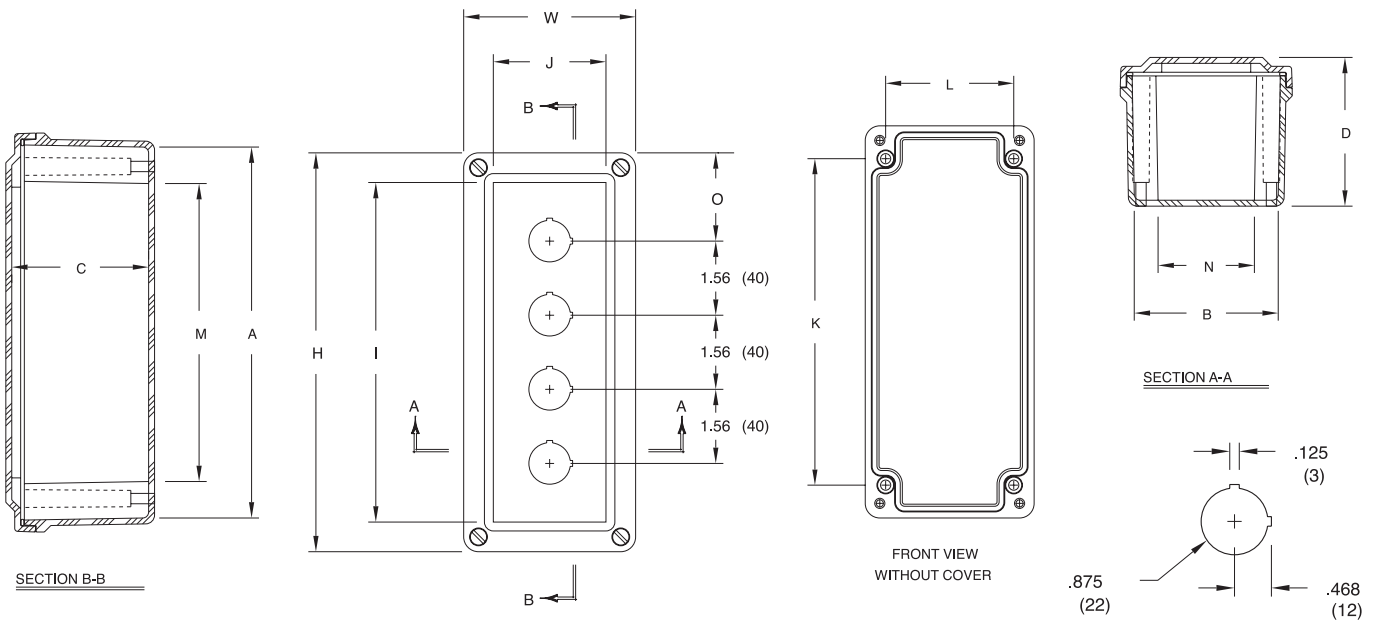
Commander | Fiberglass | 22mm In-Line Configuration

4 COVER SCREWS, LIFT OFF COVER



CONSTRUCTION

Material (Box & Cover)	Hot compression molded fiberglass reinforced polyester (thermoset)
Gasket Material	Poured polyurethane seamless gasket
Cover Screw Material	Recessed captive 304 stainless steel
Cover Screw Size	#10-24 x 3/4
Cover Screw Torque	20-24 in.-lbs.
Enclosure mounting	Mounting wells located under the cover/outside the gasket area
Soft Edge Design	Rounded edges, minimal protrusions or exposed pocket areas for assembly of dust and debris



COMMANDER SERIES FIBERGLASS 22mm IN-LINE CONFIGURATION DIMENSIONS

SIZE ID NUMBER	OVERALL H X W X D	INSIDE A X B X C	I	J	K	L	M	N	O	SHIPPING WEIGHT
CO1PB22	6.63 x 3.81 x 3.89 (168 x 97 x 99)	6.00 x 3.19 x 3.63 (153 x 81 x 92)	5.31 (135)	2.5 (64)	4.88 (124)	2.94 (75)	4.13 (105)	2.19 (56)	3.31 (84)	1.6 lbs.
CO2PB22	6.63 x 3.81 x 3.89 (168 x 97 x 99)	6.00 x 3.19 x 3.63 (153 x 81 x 92)	5.31 (135)	2.5 (64)	4.88 (124)	2.94 (75)	4.13 (105)	2.19 (56)	2.53 (64)	1.6 lbs.
CO3PB22	6.63 x 3.81 x 3.89 (168 x 97 x 99)	6.00 x 3.19 x 3.63 (153 x 81 x 92)	5.31 (135)	2.5 (64)	4.88 (124)	2.94 (75)	4.13 (105)	2.19 (56)	1.75 (44)	1.6 lbs.
CO4PB22	8.88 x 3.81 x 3.89 (225 x 97 x 99)	8.26 x 3.19 x 3.63 (210 x 81 x 92)	7.56 (192)	2.5 (64)	7.13 (181)	2.94 (75)	6.38 (162)	2.19 (56)	2.09 (53)	1.8 lbs.
CO5PB22	11.13 x 3.81 x 3.89 (283 x 97 x 99)	10.51 x 3.19 x 3.63 (267 x 81 x 92)	9.81 (249)	2.5 (64)	9.37 (238)	2.94 (75)	8.63 (219)	2.19 (56)	2.44 (62)	2.1 lbs.
CO6PB22	11.13 x 3.81 x 3.89 (283 x 97 x 99)	10.51 x 3.19 x 3.63 (267 x 81 x 92)	9.81 (249)	2.5 (64)	9.37 (238)	2.94 (75)	8.63 (219)	2.19 (56)	1.66 (42)	2.1 lbs.

All measures are in inches, items in parentheses are in millimeters.
Note: Shown CO4PB22 for Reference.

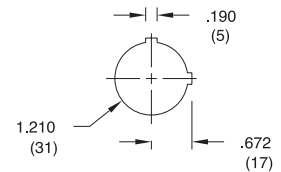
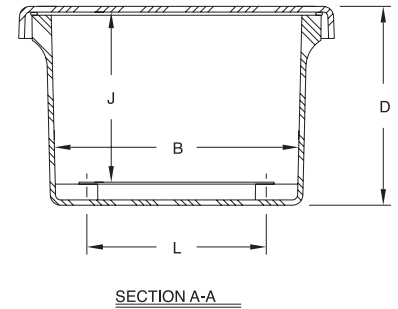
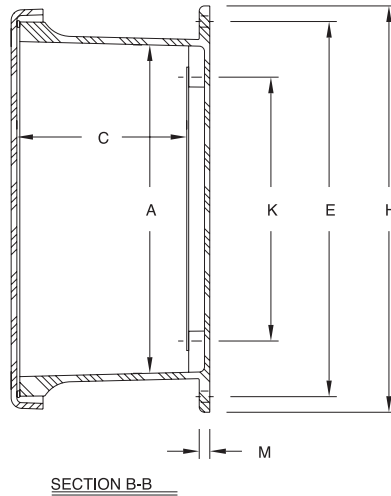
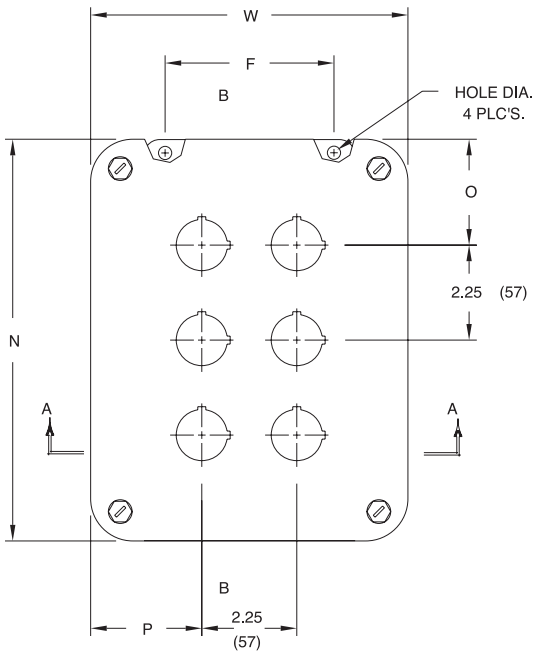
Commander | Fiberglass | 30mm Multi-Hole Configuration

4 COVER SCREWS, LIFT OFF COVER



CONSTRUCTION

Material (Box & Cover)	Hot compression molded fiberglass reinforced polyester (thermoset)
Gasket Material	Poured polyurethane seamless gasket
Cover Screw Material	Recessed captive 304 stainless steel
Cover Screw Size	#10-24 x 3/4
Cover Screw Torque	20-24 in.-lbs.
Stainless Steel Hardware	300 series stainless steel used on all external hardware
Cover Retention	Stainless steel beaded cover retention chain
Back Panel Screw Size	#10-32x3/8
Panel Mounting	Raised bosses with brass inserts accepting #10-32x3/8 screws for optional panel mounting
Mounting Feet	Integral Mounting Flange
Soft Edge Design	Rounded edges, minimal protrusions or exposed pocket areas for assembly of dust and debris



COMMANDER SERIES FIBERGLASS 30mm MULTI-HOLE CONFIGURATION DIMENSIONS

CATALOG NUMBER	HOLE CONFIG.	OVERALL H X W X D	INSIDE A X B X C	MOUNTING E X F	J	K	L	M	N	O	P	HOLE DIA.	SHIPPING WT.	PANEL NUMBER
CO4PBW	2 x 2	7.50 x 7.50 x 4.75 (191 x 191 x 121)	5.72 x 5.72 x 4.45 (145 x 145 x 113)	6.75 x 4.00 (171 x 101)	4.00 (101)	4.25 (108)	4.25 (108)	0.25 (6)	7.52 (191)	2.64 (67)	2.64 (67)	0.31 (8)	2.7 lbs.	BP66*
CO6PBW	3 x 2	9.62 x 7.50 x 4.74 (244 x 191 x 121)	7.73 x 5.74 x 4.45 (196 x 146 x 113)	8.88 x 4.00 (225 x 101)	4.00 (101)	6.25 (159)	4.25 (108)	0.25 (6)	9.5 (242)	2.64 (67)	2.51 (64)	0.31 (8)	3.5 lbs.	BP86*
CO9PBW	3 x 3	11.62 x 9.41 x 4.25 (295 x 239 x 108)	9.73 x 7.73 x 3.98 (247 x 196 x 101)	10.75 x 6.00 (273 x 152)	3.50 (89)	8.25 (209)	6.25 (159)	0.25 (6)	11.35 (288)	3.43 (87)	2.45 (62)	0.31 (8)	5.0 lbs.	BP108*

All measures are in inches, items in parentheses are in millimeters.

Note: Shown CO6PBW for Reference.

* Panel ordered separately.

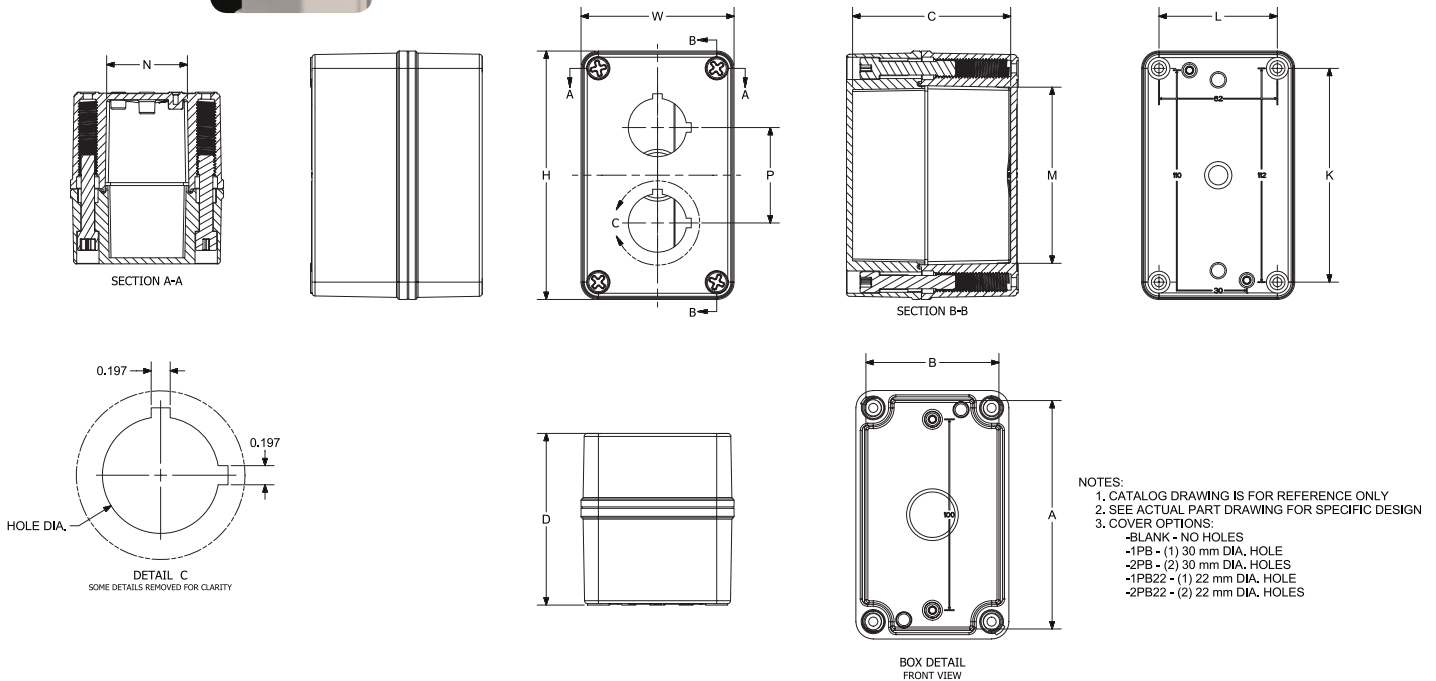
Commander | Polycarbonate

4 COVER SCREWS, LIFT OFF COVER



CONSTRUCTION

Material (Box & Cover)	Polycarbonate with UV inhibitors
Gasket Material	Poured polyurethane seamless gasket
Cover Screw Material	Custom polycarbonate screw
Cover Screw Size	Custom screw size
Cover Screw Torque	16 in.-lbs
Enclosure Mounting	Mounting wells located under the cover/outside the gasket area
Soft Edge Design	Rounded edges, minimal protrusions or exposed pocket areas for assembly of dust and debris



COMMANDER SERIES POLYCARBONATE DIMENSIONS

CATALOG NUMBER	HOLE CONFIG.	OVERALL H X W X D	INSIDE A X B X C	K	L	M	N	P	HOLE DIA.	SHIPPING WT.
COPC432	Blank	4.34 x 3.16 x 2.79 (110 x 80 x 71)	3.92 x 2.74 x 2.51 (100 x 70 x 64)	3.62 (92)	2.44 (62)	2.85 (72)	1.66 (42)	N/A	N/A	CF
COPC533	Blank	5.12 x 3.16 x 3.54 (130 x 80 x 90)	4.71 x 2.74 x 3.26 (120 x 70 x 83)	4.41 (112)	2.44 (62)	3.63 (92)	1.66 (42)	N/A	N/A	CF
COPC1PB	1	4.34 x 3.16 x 2.79 (110 x 80 x 71)	3.92 x 2.74 x 2.51 (100 x 70 x 64)	3.62 (92)	2.44 (62)	2.85 (72)	1.66 (42)	N/A	1.20 (31)	CF
COPC2PB	2	5.12 x 3.16 x 3.54 (130 x 80 x 90)	4.71 x 2.74 x 3.26 (120 x 70 x 83)	4.41 (112)	2.44 (62)	3.63 (92)	1.66 (42)	1.97 (50)	1.20 (31)	CF
COPC1PB22	1	4.34 x 3.16 x 2.79 (110 x 80 x 71)	3.92 x 2.74 x 2.51 (100 x 70 x 64)	3.62 (92)	2.44 (62)	2.85 (72)	1.66 (42)	N/A	0.89 (23)	CF
COPC2PB22	2	5.12 x 3.16 x 3.54 (130 x 80 x 90)	4.71 x 2.74 x 3.26 (120 x 70 x 83)	4.41 (112)	2.44 (62)	3.63 (92)	1.66 (42)	1.97 (50)	0.89 (23)	CF

All measures are in inches, items in parentheses are in millimeters.
 Note: Shown CO6PBW for Reference.
 * Panel ordered separately.