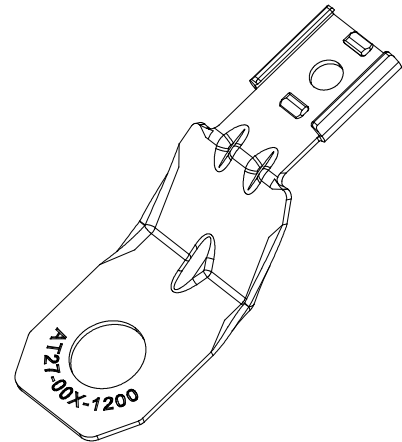


REVISIONS					
REV	ECO	DESCRIPTION	DATE	BY	APPR
A1	-	RELEASE NEW DRAWING	22/MAR/19	ROOKIE	TOMMY



NOTES: UNLESS OTHERWISE SPECIFIED

- USE WITH CONNECTORS
    - A. AT04-2/3/4/6/12P\*
    - B. ATM04-2/3/4/6/8/12P\*
    - C. ATP04-2/4P\*
    - D. ATV04.\*
    - E. ATHD04.\*
- (\* = MODIFICATIONS AND/OR COLORS)

2. RoHS COMPLIANT

3. ALL DIMENSIONS ARE FOR REFERENCE USE ONLY.

**△ PART INFORMATION:**

PART NUMBER	MATERIAL	HOLE DIAMETER
AT27-003-1200	STAINLESS STEEL	11mm
AT27-004-1200	STEEL-ZINC PLATED	13mm
AT27-005-1200	STAINLESS STEEL	13mm

SEE TABLE		REF: 1027-003-1200, 1027-004-1200, 1027-005-1200	
PART NUMBER		DESCRIPTION	
QUANTITY		ITEM	
<b>MATERIALS LIST</b>			
UNLESS OTHERWISE SPECIFIED:			
1) All dimensions are in metric (mm).			
2) Tolerances are as follows:			
1 PL DEC ±0.30	Fractions ±1/64		
2 PL DEC ±0.15	Angles ±1°		
3 PL DEC ±0.08			
3) Note reference =			
MATERIAL SPECIFICATIONS:		SIGNATURES	
		DRAWN: ROOKIE	
		DATE: 22/MAR/19	
		CHECKED: ORION	
		DATE: 22/MAR/19	
		ENGINEER:	
		APPROVAL: TOMMY	
		DATE: 22/MAR/19	
PROCESS SPECIFICATIONS:		CUSTOMER:	
		THIS DRAWING IS SUPPLIED FOR INFORMATION ONLY. DESIGN FEATURES, SPECIFICATIONS AND PERFORMANCE DATA SHOWN HEREON ARE THE PROPERTY OF THE AMPHENOL CORPORATION. NO RIGHTS OF REPRODUCTION ARE IMPLIED. ALL DIMENSIONS ARE SUBJECT TO NORMAL MANUFACTURING VARIATIONS.	
NEXT ASSY:		SCALE: NONE	
		SINE Systems Corporation	
		A Subsidiary of Amphenol Corporation	
		44724 Morley Drive	
		Clinton Township, MI 48036	
		MOUNTING CLIP, A SERIES, METAL	
SIZE: B	FSCM NO.:	DWG NO: AT27-00X-1200	REVISION: A1
SCALE: NONE		SHEET 1 OF 1	

TITLE: MOUNTING CLIP, A1, METAL  
 DWG NO: AT27-00X-1200  
 REV: A1  
 SH: 1  
 OF: 1