



Electrical specifications

Cutoff Frequency (Fc): 260 MHz
Passband: DC-200 MHz
Insertion loss: 0.5 dB @ 200 MHz
Insertion loss: 1.0 dB @ 220 MHz
Return loss @ DC-220 MHz: >15 dB
High Side Rejection: 60 dB from 300-1000 MHz
Power Handling: 10 W

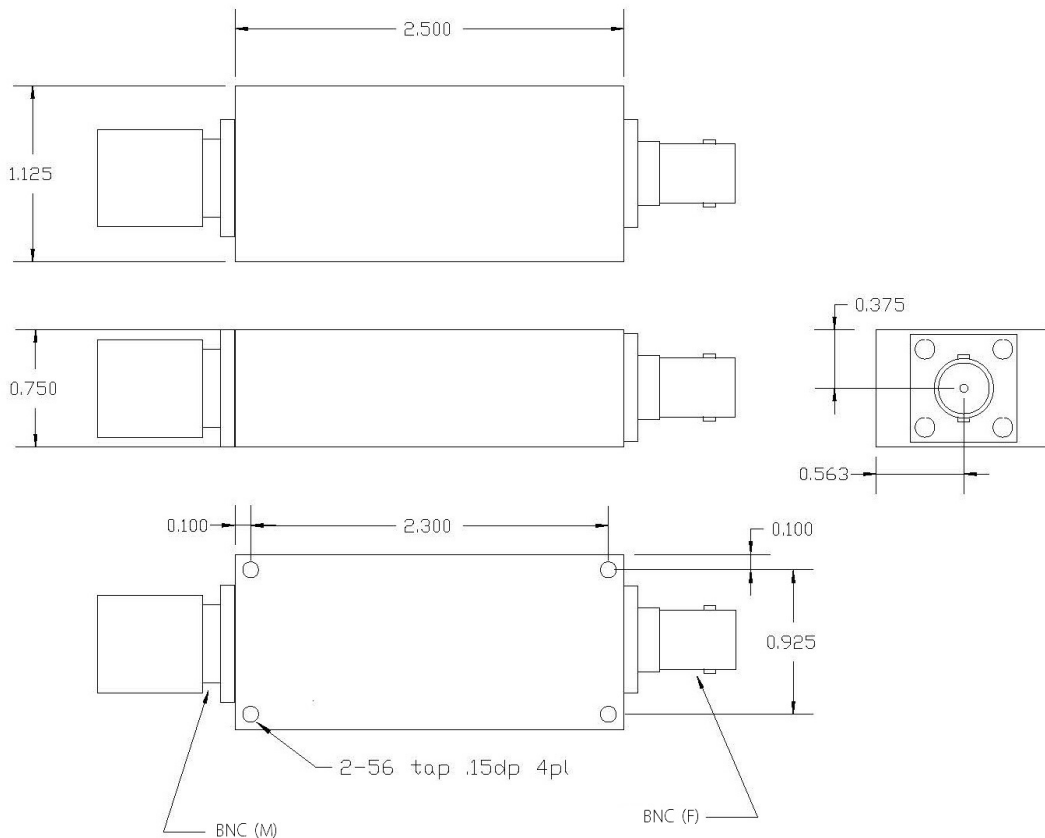
Mechanical

Connector Type: BNC (M) / BNC (F)
Dimensions: 2.5 x 1.125 x 0.75 inches

Environmental

Operating Temperature: 0 to +85 deg.C
Storage temperature: -65 to +95 deg.C
Shock: 20 G's, ½ sine, 11ms
Vibration: 10 G's, 10-2000Hz
Relative Humidity: 0-95%

Outline Drawing:





Response Plot:

