



# 1616-1626.5 MHz Cavity Band pass Filter

Part Number: AE1621B11345



**ANATECH ELECTRONICS INC**  
RF & Microwave Filters & Products

## Electrical specifications

**Center Frequency:** 1621 MHz

**Bandwidth:** 10.5 MHz

**Passband:** 1616-1626.5 MHz

**Insertion Loss:** 1.0 dB Max

**Return Loss:** 15 dB Min

**Rejection:** >40 dB @ 1563-1588 MHz

**Impedance:** 50Ω

**Power Handling:** 20 Watts

## Mechanical

**Connector Type:** TNC (F)

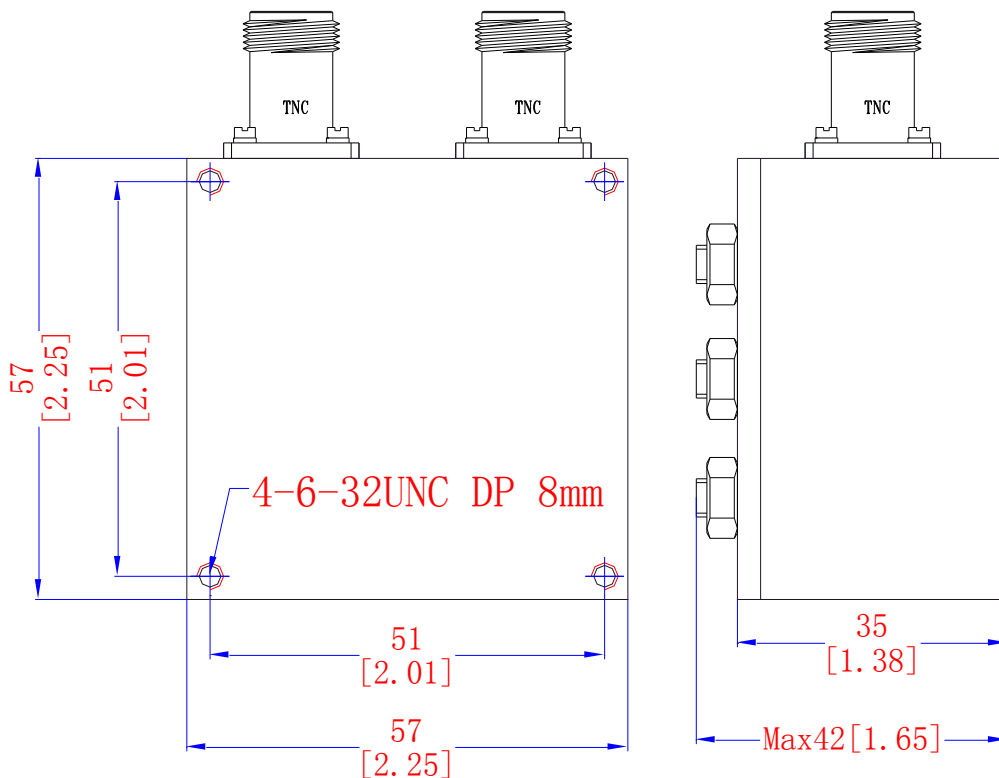
**Dimensions:** 2.25 x 2.25 x 1.65 inches

## Environmental

**Operating Temperature:** -45 to +85° C

**Storage Temperature:** -55 to +95° C

## Outline Drawing:





# 1616-1626.5 MHz Cavity Band pass Filter

**ANATECH ELECTRONICS INC**  
RF & Microwave Filters & Products

**Part Number: AE1621B11345**



## Simulated response plot

