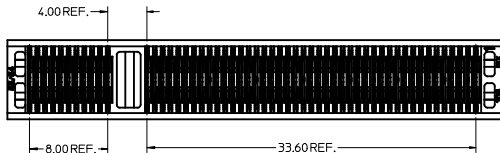
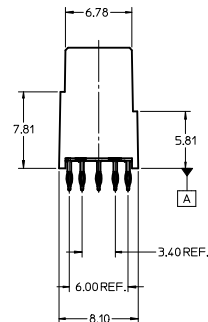
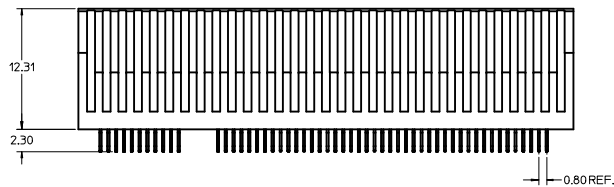
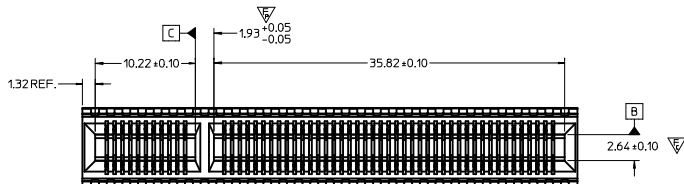


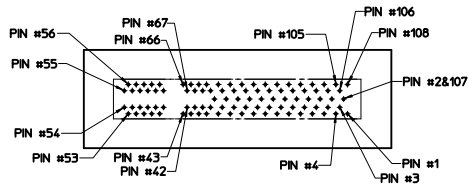
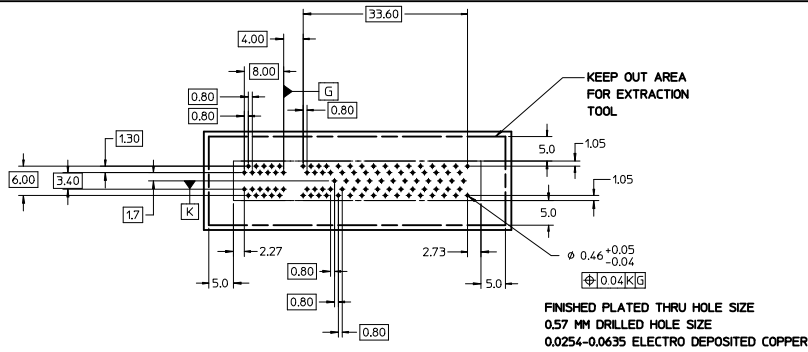
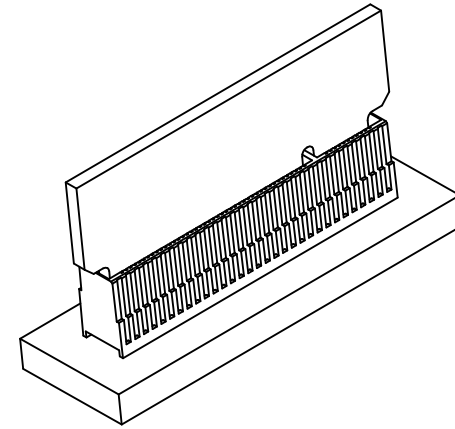
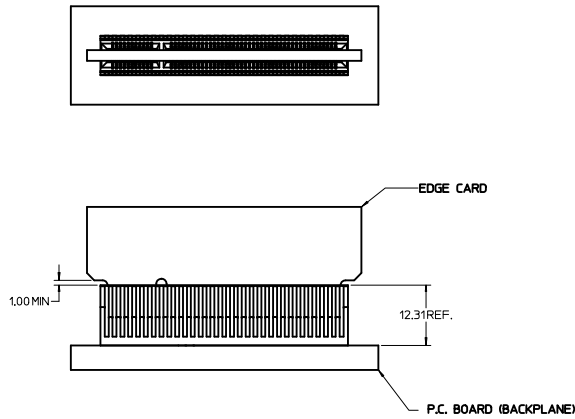
NOTES:

1. MATERIAL:
HOUSING - GLASS FILLED THERMOPLASTIC, 94-V0, BLACK
TERMINALS - COPPER ALLOY
2. FINISH:
TERMINALS - 0.76 MICRONS MINIMUM GOLD IN THE CONTACT AREA AND 0.76 - 152 MICRONS TIN IN PRESSFIT TAIL AREA OVER 1.27 MICRONS MINIMUM NICKEL OVERALL.
3. REFER TO PS-76421-001 PRODUCT SPECIFICATION FOR ALL ELECTRICAL, MECHANICAL AND ENVIRONMENTAL SPECIFICATIONS.
4. REFER TO PK-75594-999 FOR ALL PACKAGING SPECIFICATIONS.
5. PROCESSING: PRESSFIT TO PC BOARD.
6. IN ORDER TO PROVIDE OPTIMAL ELECTRICAL PERFORMANCE, THE MATING BOARD MUST MEET REQUIREMENTS OF AMC.0 R2 SPECIFICATION.
7. MATING PC BOARD THICKNESS = 2.36±0.16MM OVER CONTACT PADS.
8. APPLICATION TOOLING P/N: 62201-7300
REMOVAL TOOLING P/N: 62100-6200

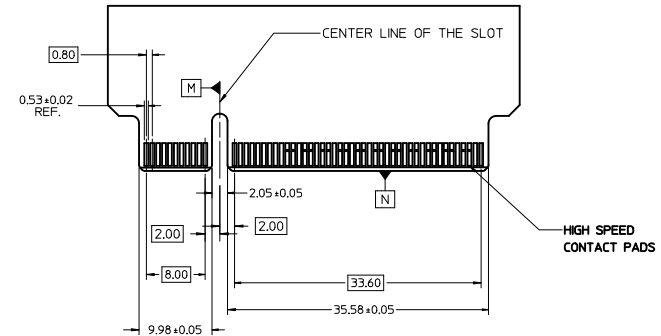


UPDATED PRINT PER NEW REV EC NO: UCP2010-2855 DRAWN: DROSCA 2010/07/06 CHKD: JCOMERCI 2010/09/08 APPR: JCOMERCI 2010/09/08 REV: A	QUALITY SYMBOLS	GENERAL TOLERANCES (UNLESS SPECIFIED)	DIMENSION STYLE	SCALE	DESIGN UNITS	THIRD ANGLE PROJECTION
	▽ = 0	4 PLACES ± --- ± ---	MM ONLY	4:1	METRIC	
	▽ = 1	3 PLACES ± 0.13 ± ---				
	▽ = 1	1 PLACE ± 0.25 ± ---				
		ANGULAR ± 1/2°				
		DRAFT WHERE APPLICABLE MUST REMAIN WITHIN DIMENSIONS				
			MATERIAL NO.	DOCUMENT NO.		SHEET NO.
			764211000	SD-76421-100		1 OF 4
			THIS DRAWING CONTAINS INFORMATION THAT IS PROPRIETARY TO MOLEX INCORPORATED AND SHOULD NOT BE USED WITHOUT WRITTEN PERMISSION			

P.C. BOARD MOUNTING



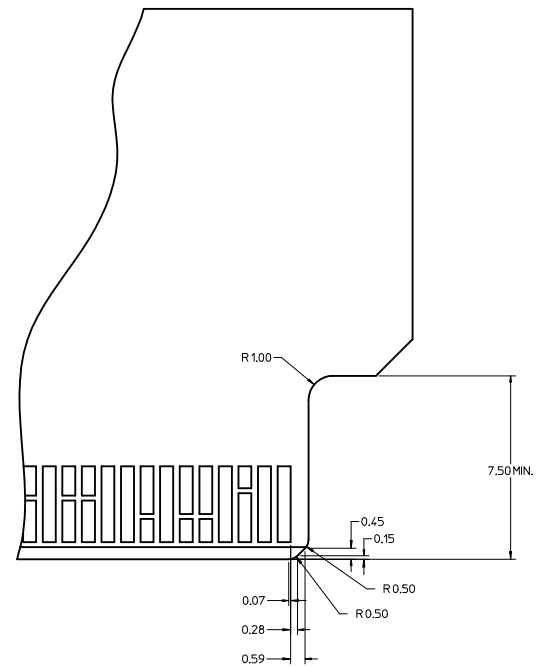
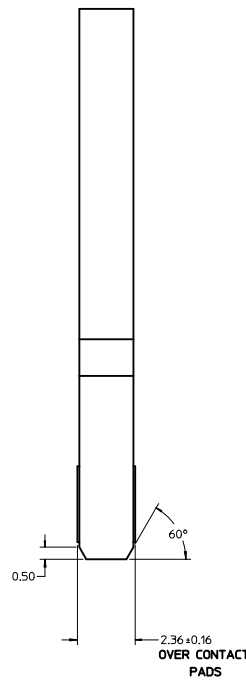
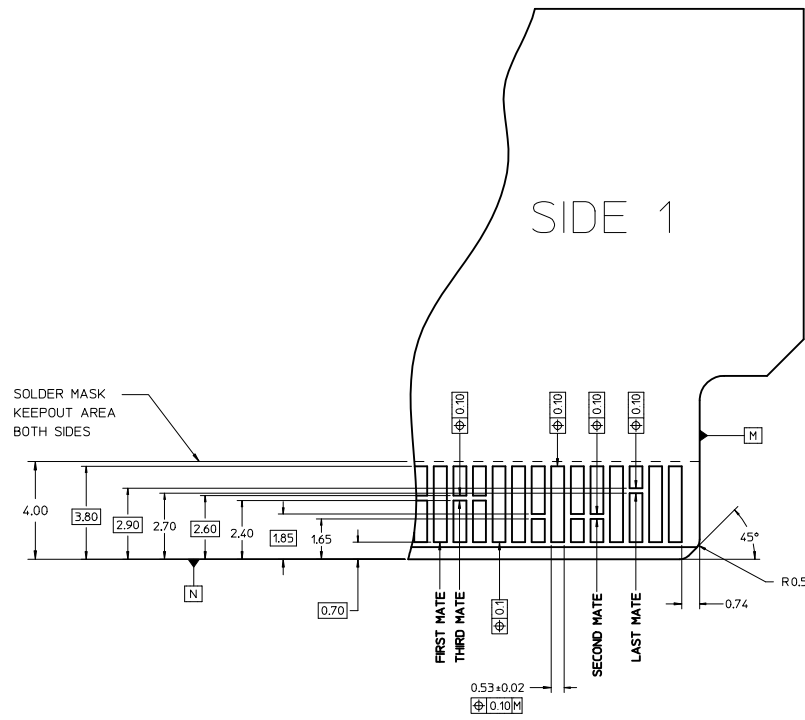
MOTHER BOARD HOLE LAYOUT
(COMPONENT SIDE)



DAUGHTER CARD

SEE SHEET 1 IEC NO.: UCF2010-2855 DRAWN BY: DROSCA CHKD: JCOMERCI APPR: JCOMERCI DATE: 2010/07/06 DATE: 2010/09/08 DATE: 2010/09/08	QUALITY SYMBOLS	GENERAL TOLERANCES (UNLESS SPECIFIED)	DIMENSION STYLE	SCALE	DESIGN UNITS	THIRD ANGLE PROJECTION
	▽ - 0	4 PLACES ± ---	mm	MM ONLY	1:1	METRIC
	▽ - 0	3 PLACES ± ---	INCH			
	▽ - 0	2 PLACES ± 0.13				
		1 PLACE ± 0.25				
		ANGULAR ± 1/2°				
	▽ - 0	DRAFT WHERE APPLICABLE MUST REMAIN WITHIN DIMENSIONS				
	SIZE D		WATERL. NO. SEE SHEET 1	DATE 11/14/2007	DOCUMENT NO. SD-76421-100	TITLE EDGELINE 12.5GB 0.8 MM PITCH, 108 CKTS
			MATERIAL NO. DATE 11/14/2007		MOLEX INCORPORATED	
			DATE 11/14/2007		SHEET NO. 2 OF 4	
			THIS DRAWING CONTAINS INFORMATION THAT IS PROPRIETARY TO MOLEX INCORPORATED AND SHOULD NOT BE USED WITHOUT WRITTEN PERMISSION			

MODULE EDGE CARD CONTACT DETAIL



Note:

These are generic details that describe the configuration of various PCB design elements. The customer must determine where and when to use each element to accommodate their specific application.

SEE SHEET 1 IEC NO.: UCF2010-2855 DRAWN BY: DROSCHKA CHYD: 2010/09/08 APPR.: JCOMERCI 2010/09/08	QUALITY SYMBOLS ▽=0 ▽=0	GENERAL TOLERANCES (UNLESS SPECIFIED)		DIMENSION STYLE MM ONLY	SCALE 10:1	DESIGN UNITS METRIC	THIRD ANGLE PROJECTION
		4 PLACES ±--- ±--- 3 PLACES ±--- ±--- 2 PLACES ±0.13 ±--- 1 PLACE ±0.25 ±--- ANGULAR ±1/2°	mm INCH	DRAWN BY: DROSCHKA DATE: 11/14/2007 CHECKED BY: JCOMERCI DATE: 11/14/2007 APPROVED BY: JCOMERCI DATE: 11/14/2007	TITLE EDGELINE 12.5GB 0.8 MM PITCH, 108 CKTS	MATERIAL NO.: SEE SHEET 1	DOCUMENT NO.: SD-76421-100
DRAFT WHERE APPLICABLE MUST REMAIN WITHIN DIMENSIONS		THIS DRAWING CONTAINS INFORMATION THAT IS PROPRIETARY TO MOLEX INCORPORATED AND SHOULD NOT BE USED WITHOUT WRITTEN PERMISSION					

LEGEND					
COMPONENT SIDE 1			COMPONENT SIDE 2		
PIN NO.	SIGNAL	ALLEGRO PIN NO.	SIGNAL	PIN NO.	
108	PRSNT1#	69	HDD_ACT_LED#	1	
107	GND / Power Return	(2)	GND / Power Return	2	
106	PETp0	65	PERp0	3	
105	PETn0	64	PERn0	4	
104	GND / Power Return	(5)	GND / Power Return	5	
103	PETp1	63	PERp1	6	
102	PETn1	62	PERn1	7	
101	GND / Power Return	(8)	GND / Power Return	8	
100	PETp2	61	PERp2	9	
99	PETn2	60	PERn2	10	
98	GND / Power Return	(11)	GND / Power Return	11	
97	PETp3	69	PERp3	12	
96	PETn3	68	PERn3	13	
95	GND / Power Return	(14)	GND / Power Return	14	
94	PETp4	67	PERp4	15	
93	PETn4	66	PERn4	16	
92	GND / Power Return	(17)	GND / Power Return	17	
91	PETp5	65	PERp5	18	
90	PETn5	64	PERn5	19	
89	GND / Power Return	(20)	GND / Power Return	20	
88	PETp6	63	PERp6	21	
87	PETn6	62	PERn6	22	
86	GND / Power Return	(23)	GND / Power Return	23	
85	PETp7	61	PERp7	24	
84	PETn7	60	PERn7	25	
83	GND / Power Return	(26)	GND / Power Return	26	
82	Reserved 0	69	Reserved 4	27	
81	Reserved 1	68	Reserved 5	28	
80	GND / Power Return	(29)	GND / Power Return	29	
79	Reserved 2	67	Reserved 6	30	
78	Reserved 3	66	Reserved 7	31	
77	GND / Power Return	(32)	GND / Power Return	32	
76	REFCLKA+	65	REFCLKB+	33	
75	REFCLKA-	64	REFCLKB-	34	
74	GND / Power Return	(35)	GND / Power Return	35	
73	SYS_SMBCLK	63	PH_SMBCLK	36	
72	SYS_SMBDAT	62	PH_SMBDAT	37	
71	JTAG1	61	WAKE#	38	
70	JTAG2	60	PERST#	39	
69	JTAG3	69	TACHA_MP	40	
68	JTAG4	68	DO_MP	41	
67	JTAG5	67	PWM_MP	42	
66	CONFIG	66	TACHB_MP	43	
65	VDD_12V	65	VDD_12V	44	
64	VDD_12V	64	VDD_12V	45	
63	VDD_12V	63	VDD_12V	46	
62	VDD_12V	62	VDD_12V	47	
61	VDD_12V	61	VDD_12V	48	
60	VDD_12V	60	VDD_12V	49	
59	VDD_12V	69	VDD_12V	50	
58	VDD_12V	68	VDD_12V	51	
57	VDD_12V	67	VDD_12V	52	
56	VDD_12V	66	VDD_12V	53	
55	BP_12C_PWR	65	PRSNT2#	54	

SEE SHEET 1 IEC NO. UCF2010-2855 DRAWN BY DROSCHA CHYK: 2010/09/08 APPR: JCOMERCI 2010/09/08 REV DESCRIPTION	QUALITY SYMBOLS ▽=0 ▽=0		GENERAL TOLERANCES (UNLESS SPECIFIED) mm INCH 4 PLACES ±.05 ±.002 3 PLACES ±.03 ±.001 2 PLACES ±0.13 ±.005 1 PLACE ±0.25 ±.010 ANGULAR ±1/2°		DIMENSION STYLE MM ONLY DRAWN BY DATE DROSCHA 11/14/2007 CHECKED BY DATE JCOMERCI 11/14/2007 APPROVED BY DATE JCOMERCI 11/14/2007		SCALE 1:1 DESIGN UNITS METRIC THIRD ANGLE PROJECTION	
	DRAFT WHERE APPLICABLE MUST REMAIN WITHIN DIMENSIONS				MATERIAL NO. SD-76421-100 DOCUMENT NO. SD-76421-100 SHEET NO. 4 OF 4			
	THIS DRAWING CONTAINS INFORMATION THAT IS PROPRIETARY TO MOLEX INCORPORATED AND SHOULD NOT BE USED WITHOUT WRITTEN PERMISSION							
	MOLEX INCORPORATED							