

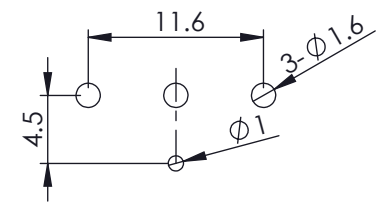
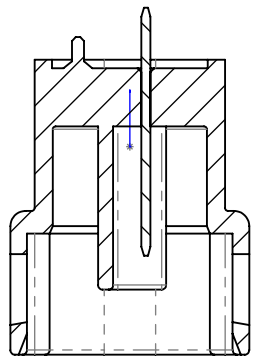
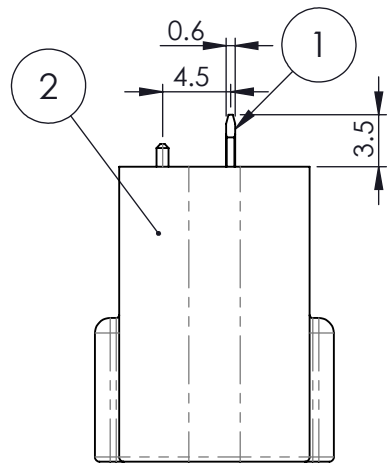
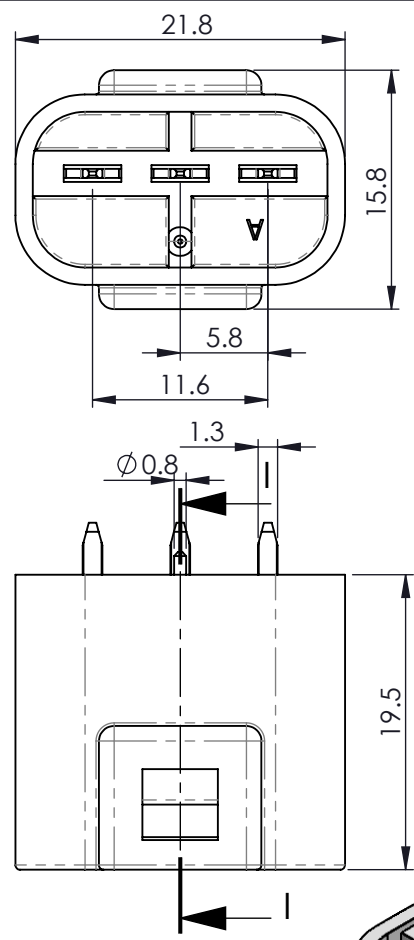
THIS IS A C.A.D. GENERATED DRAWING  
DO NOT MAKE MANUAL REVISIONS TO MASTER.



ISSUE NUMBER	①
ORIGINAL	

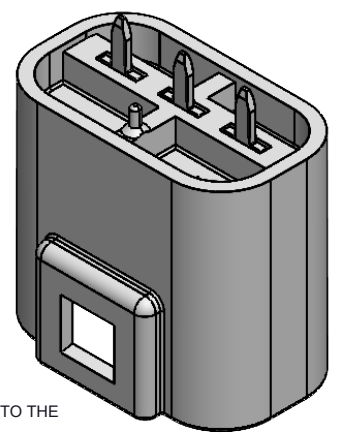
**MATERIALS:**  
HOUSING: PBT, UL94V-0, WHITE COLOR  
TERMINAL: BRASS, TIN PLATED

- SPECIFICATIONS**
1. PITCH: 5.8MM
  2. RATED VOLTAGE: 300V
  3. RATED CURRENT: 10A MAX
  4. WITHSTAND VOLTAGE: AC 1700V R.M.S.
  5. CONTACT RESISTANCE: 10 mOHMS MAX
  6. INSULATION RESISTANCE: 1000 MOHMS MIN/DC 500V
  7. TEMPERATURE RANGE: -40°C ~ +105°C
  8. WATERPROOF GRADE: TESTED AND CERTIFIED TO IP67



RECOMMENDED PCB HOLE

SECTION I-I



ITEM NO.	DESCRIPTION	QTY.
1	570-420 PCB-TERMINAL-1	3
2	572-003-420-PCB HOUSING	1

Waterproof Connector, PCB Mount, Male,  
White, 3Pin  
572-003-420-101

ACAD REFERENCE NO.	572-003-420-101
DRAWN: R.STA.MONICA	DATE: NOV.16/15
CHECKED:	DATE:
SCALE: NOT TO SCALE	SHEET 1 OF 1

**EDAC** EDAC INC  
TORONTO, ONTARIO  
CANADA  
YOUR CONNECTION TO QUALITY & SERVICE

THESE DRAWINGS AND SPECIFICATIONS ARE THE PROPERTY OF EDAC INC. AND SHALL NOT BE REPRODUCED, OR COPIED OR USED AS THE BASIS FOR THE MANUFACTURE OR SALE OF APPARATUS WITHOUT WRITTEN PERMISSION.

DRAWING NUMBER	ISSUE
572-003-420-101	1



THIS SERIES FULLY CONFORMS TO THE EUROPEAN UNION DIRECTIVES 2011/65/EU FOR RoHS COMPLIANCY