

Ratings

Voltage: 600 V
 Temperature: -40~105 °C
 Flammability: FT2

Conductor

Conductor count: 9
 Gauge: 24 AWG 0.21 mm²
 Material: tinned copper strands
 Strand size: ϕ 0.08 x 41
 Resistance at 20 °C: 94.2 Ω /km max

Insulator

Material: mPPE
 Color: red, black, white, yellow, blue, green, orange, purple, gray
 Diameter: ϕ 1.1 \pm 0.10 mm
 Average thickness: 0.24 mm
 Resistance at 20 °C: 100 M Ω /km min

Filler

Material: cotton rope

Wrap

Material: cotton paper

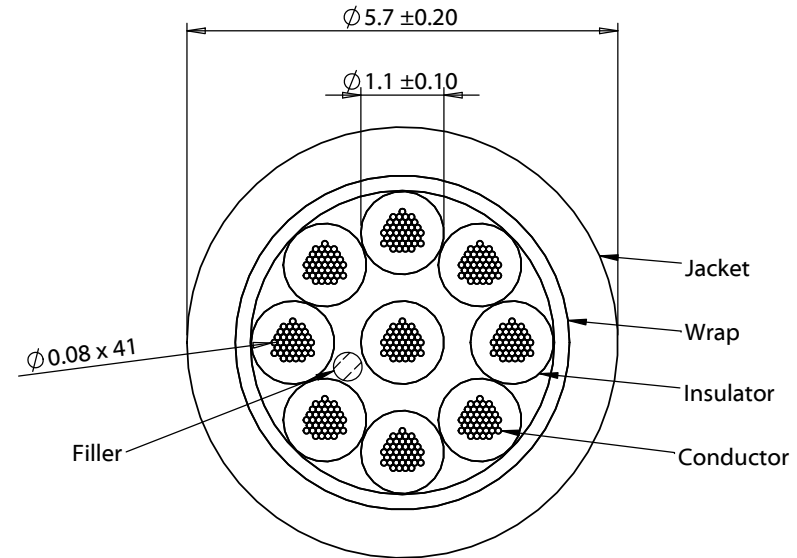
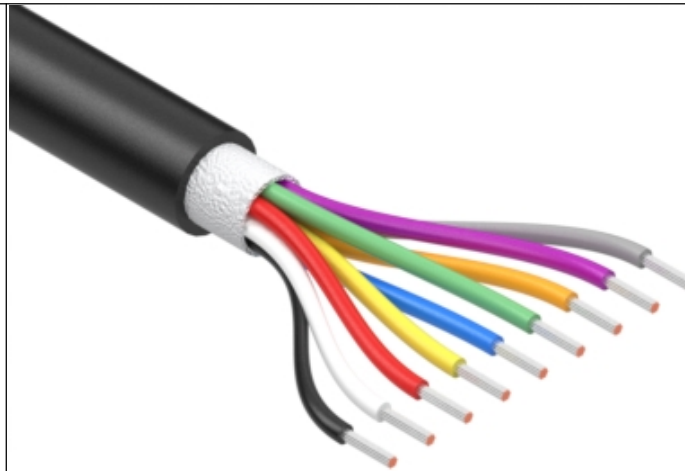
Outer jacket

Material: mPPE, 85A
 Color: black
 Diameter: ϕ 5.7 \pm 0.20 mm
 Average thickness: 0.81 mm

Wire marking: E339579 UL AWM STYLE 21509 24 AWG 105°C
 600V --- cUL AWM I A 105°C 600V FT2 TENSILITY

Bend radius

Minimum: 6 times diameter (34.2 mm)



| | | | | | | |
|-----------|----------|-----------------|--|---|---|--------------------------|
| Revision: | Date: | Description: | Prepared: | Notes: RoHS compliant Phthalate and halogen free | <h1>TENSILITY</h1> <p>tel 1.541.323.3228 800 877.670.7118 fax 1.541.323.4202 web tensility.com</p> | |
| A | 5/4/2021 | Initial release | Verified: | | | |
| | | | Dimensions are in millimeters. Tolerances: X: \pm 0.5 mm X.X: \pm 0.3 mm X.XX: \pm 0.05 mm | Description: Wire, 9C TS, 24 AWG, 21509, 600V, 105C, 5.7 mm, FT2, mPPE | Size: A | Part number: 30-02033 |
| | | | | Scale: 10:1 | | Sheet 1 of 1 |

5

4

3

2

1