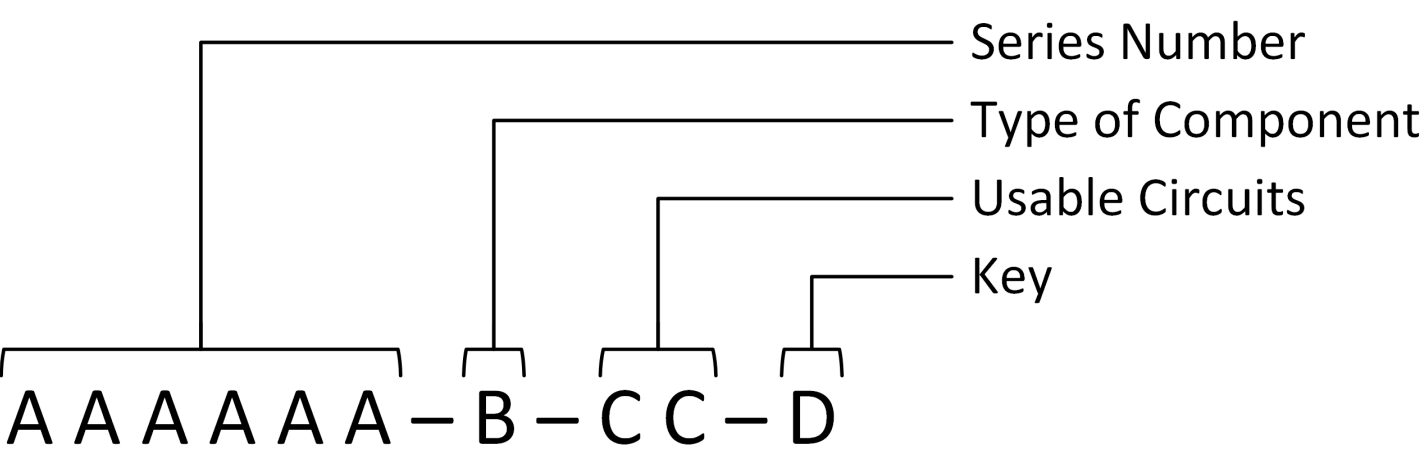


CONNTAK50 DUAL ROW VERTICAL SMT HEADERS

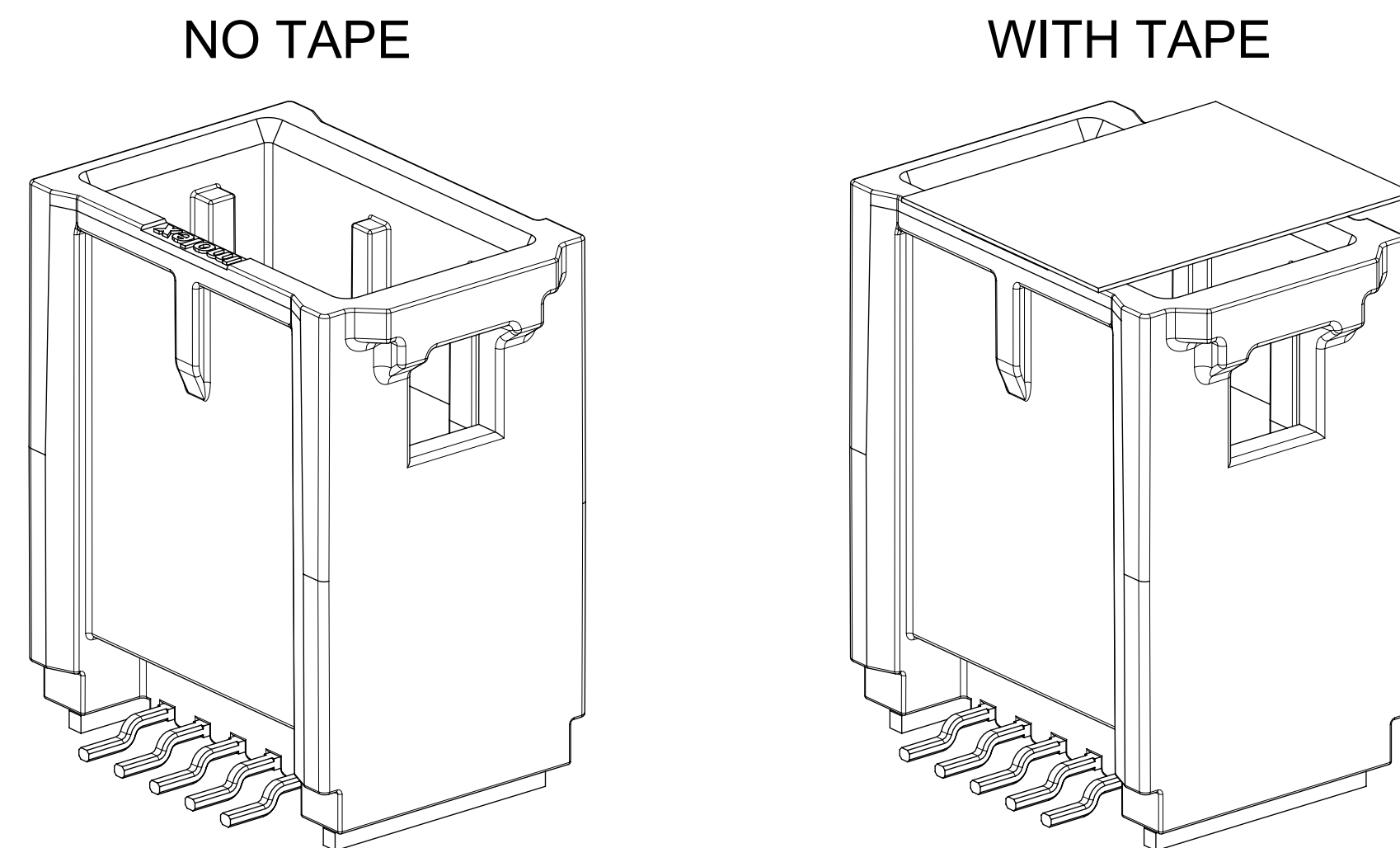
10CKT HEADER:



PART NUMBER EXAMPLE:

PN 2069573101
206957 - SERIES NUMBER: DUAL ROW VERTICAL SMT HEADER - STANDARD PERFORMANCE
3 - TYPE OF COMPONENT: STANDARD MATERIAL; FULLY POPULATED, WITH TAPE
10 - 10 USABLE CIRCUITS
1 - KEY A

FINAL PART: 10CKT DUAL ROW VERTICAL STANDARD PERFORMANCE SMT HEADER - KEY A



| | SERIES NUMBERS (AAAAAA) | TYPE OF COMPONENT (B) | USABLE CIRCUITS (CC) | KEY (D) |
|------------------|--|--|--|--|
| MATING COMPONENT | 205825 - RECEPTACLE | 2 - STD MATL; FULLY POPULATED; NO TAPE 3 - STD MATL; FULLY POPULATED; WITH TAPE 4 - STD MATL; LAST 2 CKTS UNPOPULATED; NO TAPE 5 - STD MATL; LAST 2 CKTS UNPOPULATED; WITH TAPE | 02 - 2 Circuits ... 22 - 22 Circuits | 1 - KEY A 2 - KEY B 3 - KEY C 4 - KEY D |
| ON DRAWING | 206957 - DR HB VERTICAL STANDARD PERFORMANCE SMT HEADER 208036 - DR V0 VERTICAL STANDARD PERFORMANCE SMT HEADER | | | |
| OTHER | 206958 - DR RIGHT ANGLE SMT HEADER - STANDARD PERF. | | | |

| INTERFACE | INTERFACE CKT SIZE | STANDARD HB MATERIAL SMT HEADER | | | | | | | | | | TOOLING STATUS | | | | |
|-----------|--------------------|---------------------------------|-------|-----------|-------|-------|--------------------|---------|-------------|-------------|-------------|----------------|-------------|-------------|-------------|-------------|
| | | FULLY POPULATED | | | | | 2 CKTS UNPOPULATED | | | | | | | | | |
| | | NO TAPE | | WITH TAPE | | | NO TAPE | | WITH TAPE | | | | | | | |
| | | DIM A | DIM B | DIM C | DIM D | DIM F | KEY | COLOR | PART NUMBER | USABLE CKTS | PART NUMBER | USABLE CKTS | PART NUMBER | USABLE CKTS | PART NUMBER | USABLE CKTS |
| | 10 | 2.90 | 6.46 | 15.10 | 7.21 | 4.30 | A | BLACK | 2069572101 | 10 | 2069573101 | 10 | 2069574081 | 8 | 2069575081 | 8 |
| | | | | | | | B | NATURAL | 2069572102 | 10 | 2069573102 | 10 | 2069574082 | 8 | 2069575082 | 8 |
| | | | | | | | C | BLUE | 2069572103 | 10 | 2069573103 | 10 | 2069574083 | 8 | 2069575083 | 8 |
| | | | | | | | D | VIOLET | 2069572104 | 10 | 2069573104 | 10 | 2069574084 | 8 | 2069575084 | 8 |

| INTERFACE | INTERFACE CKT SIZE | V0 MATERIAL SMT HEADER | | | | | | | | | | TOOLING STATUS | | | | |
|-----------|--------------------|------------------------|-------|-----------|-------|-------|--------------------|---------|-------------|-------------|-------------|----------------|-------------|-------------|-------------|-------------|
| | | FULLY POPULATED | | | | | 2 CKTS UNPOPULATED | | | | | | | | | |
| | | NO TAPE | | WITH TAPE | | | NO TAPE | | WITH TAPE | | | | | | | |
| | | DIM A | DIM B | DIM C | DIM D | DIM F | KEY | COLOR | PART NUMBER | USABLE CKTS | PART NUMBER | USABLE CKTS | PART NUMBER | USABLE CKTS | PART NUMBER | USABLE CKTS |
| | 4 | 0.20 | 3.76 | 9.70 | 6.51 | 1.60 | A | BLACK | 2080362041 | 4 | 2080363041 | 4 | 2080364021 | 2 | 2080365021 | 2 |
| | | | | | | | B | NATURAL | 2080362042 | 4 | 2080363042 | 4 | 2080364022 | 2 | 2080365022 | 2 |
| | | | | | | | C | BLUE | 2080362043 | 4 | 2080363043 | 4 | 2080364023 | 2 | 2080365023 | 2 |
| | | | | | | | D | VIOLET | 2080362044 | 4 | 2080363044 | 4 | 2080364024 | 2 | 2080365024 | 2 |
| | | | | | | | A | BLACK | 2080362061 | 6 | 2080363061 | 6 | 2080364041 | 4 | 2080365041 | 4 |
| | | | | | | | B | NATURAL | 2080362062 | 6 | 2080363062 | 6 | 2080364042 | 4 | 2080365042 | 4 |
| | | | | | | | C | BLUE | 2080362063 | 6 | 2080363063 | 6 | 2080364043 | 4 | 2080365043 | 4 |
| | | | | | | | D | VIOLET | 2080362064 | 6 | 2080363064 | 6 | 2080364044 | 4 | 2080365044 | 4 |
| | | | | | | | A | BLACK | 2080362081 | 8 | 2080363081 | 8 | 2080364061 | 6 | 2080365061 | 6 |
| | | | | | | | B | NATURAL | 2080362082 | 8 | 2080363082 | 8 | 2080364062 | 6 | 2080365062 | 6 |
| | | | | | | | C | BLUE | 2080362083 | 8 | 2080363083 | 8 | 2080364063 | 6 | 2080365063 | 6 |
| | | | | | | | D | VIOLET | 2080362084 | 8 | 2080363084 | 8 | 2080364064 | 6 | 2080365064 | 6 |
| | | | | | | | A | BLACK | 2080362101 | 10 | 2080363101 | 10 | 2080364081 | 8 | 2080365081 | 8 |
| | | | | | | | B | NATURAL | 2080362102 | 10 | 2080363102 | 10 | 2080364082 | 8 | 2080365082 | 8 |
| | | | | | | | C | BLUE | 2080362103 | 10 | 2080363103 | 10 | 2080364083 | 8 | 2080365083 | 8 |
| | | | | | | | D | VIOLET | 2080362104 | 10 | 2080363104 | 10 | 2080364084 | 8 | 2080365084 | 8 |
| | | | | | | | A | BLACK | 2080362121 | 12 | 2080363121 | 12 | 2080364101 | 10 | 2080365101 | 10 |
| | | | | | | | B | NATURAL | 2080362122 | 12 | 2080363122 | 12 | 2080364102 | 10 | 2080365102 | 10 |
| | | | | | | | C | BLUE | 2080362123 | 12 | 2080363123 | 12 | 2080364103 | 10 | 2080365103 | 10 |
| | | | | | | | D | VIOLET | 2080362124 | 12 | 2080363124 | 12 | 2080364104 | 10 | 2080365104 | 10 |
| | | | | | | | A | BLACK | 2080362141 | 14 | 2080363141 | 14 | 2080364121 | 12 | 2080365121 | 12 |
| | | | | | | | B | NATURAL | 2080362142 | 14 | 2080363142 | 14 | 2080364122 | 12 | 2080365122 | 12 |
| | | | | | | | C | BLUE | 2080362143 | 14 | 2080363143 | 14 | 2080364123 | 12 | 2080365123 | 12 |
| | | | | | | | D | VIOLET | 2080362144 | 14 | 2080363144 | 14 | 2080364124 | 12 | 2080365124 | 12 |
| | | | | | | | A | BLACK | 2080362161 | 16 | 2080363161 | 16 | 2080364141 | 14 | 2080365141 | 14 |
| | | | | | | | B | NATURAL | 2080362162 | 16 | 2080363162 | 16 | 2080364142 | 14 | 2080365142 | 14 |
| | | | | | | | C | BLUE | 2080362163 | 16 | 2080363163 | 16 | 2080364143 | 14 | 2080365143 | 14 |
| | | | | | | | D | VIOLET | 2080362164 | 16 | 2080363164 | 16 | 2080364144 | 14 | 2080365144 | 14 |
| | | | | | | | A | BLACK | 2080362181 | 18 | 2080363181 | 18 | 2080364161 | 16 | 2080365161 | 16 |
| | | | | | | | B | NATURAL | 2080362182 | 18 | 2080363182 | 18 | 2080364162 | 16 | 2080365162 | 16 |
| | | | | | | | C | BLUE | 2080362183 | 18 | 2080363183 | 18 | 2080364163 | 16 | 2080365163 | 16 |
| | | | | | | | D | VIOLET | 2080362184 | 18 | 2080363184 | 18 | 2080364164 | 16 | 2080365164 | 16 |
| | | | | | | | A | BLACK | 2080362201 | 20 | 2080363201 | 20 | 2080364181 | 18 | 2080365181 | 18 |
| | | | | | | | B | NATURAL | 2080362202 | 20 | 2080363202 | 20 | 2080364182 | 18 | 2080365182 | 18 |
| | | | | | | | C | BLUE | 2080362203 | 20 | 2080363203 | 20 | 2080364183 | 18 | 2080365183 | 18 |
| | | | | | | | D | VIOLET | 2080362204 | 20 | 2080363204 | 20 | 2080364184 | 18 | 2080365184 | 18 |
| | | | | | | | A | BLACK | 2080362221 | 22 | 2080363221 | 22 | 2080364201 | 20 | 2080365201 | 20 |
| | | | | | | | B | NATURAL | 2080362222 | 22 | 2080363222 | 22 | 2080364202 | 20 | 2080365202 | 20 |
| | | | | | | | C | BLUE | 2080362223 | 22 | 2080363223 | 22 | 2080364203 | 20 | 2080365203 | 20 |
| | | | | | | | D | VIOLET | 2080362224 | 22 | 2080363224 | 22 | 2080364204 | 20 | 2080365204 | 20 |

NOTES:

VALID UNLESS OTHERWISE SPECIFIED

1. GENERAL:

- 1.1 APPLICATION SPECIFICATION SEE: 2046310000-AS
- 1.2 PRODUCT SPECIFICATION SEE: 2046310000-PS
- 1.3 PACKAGING SPECIFICATION PER MOLEX DRAWING: 2069579000
 - 1.3.1 PACKAGING IS TAPE & REEL
- 1.4 COMPATIBLE WITH STANDARD AK INTERFACE C-114-94000-20 REV A1
- 1.5 CONFORMS TO MOLEX AK INTERFACE 2046310001 REV A
 - 1.5.1 MOLEX AK INTERFACE IS PART OF PPAP
- 1.6 CIRCUITS DO NOT CONTAIN PINS IN "2 CKTS UNPOPULATED" HEADER VERSION
- 1.7 TRACEABILITY TO BE MARKED IN AREA SHOWN. MARK IS CODED AS FOLLOWS:
 - ROW 1 ("XXXXXX"):
 - "XXXXXX" IS MOLEX SMT HEADER SERIES NUMBER
 - ROW 2 ("YYYY PZ"):
 - "YYYY" IS PART SUFFIX (LAST 4 DIGITS OF PART NUMBER)
 - "P" IS PERFORMANCE MARK. SEE BOM TABLE FOR MARKING CODE
 - "Z" IS ASSEMBLY LINE NUMBER
 - ROW 3 ("HHDDDDYY"):
 - 1ST & 2ND DIGITS ("HH"): HOUR OF ASSEMBLY (24 HOUR CLOCK)
 - 3RD THRU 5TH DIGITS ("DDD"): JULIAN DATE (EXAMPLE: FEBRUARY 3RD -> "034")
 - 6TH & 7TH DIGITS ("YY"): LAST 2 DIGITS OF CALENDAR YEAR

2. DESIGN - MATERIALS:

- 2.1 SHROUD (PLASTIC HOUSING): SEE BOM
- 2.2 PINS:
 - 2.2.1 STANDARD PERFORMANCE PINS:
 - BASE MATERIAL: C26000 BRASS
 - UNDERPLATING (CONTACT REGION): NICKEL 1.0 - 1.8 μm
 - OVERPLATING (CONTACT REGION): MATTE TIN 1.0 - 3.0 μm

3. DESIGN - GEOMETRY:

- 3.1 GEOMETRIC DIMENSIONS AND TOLERANCES PER ASME Y14.5M-2009

| | |
|-----|--|
| C3 | UPDATED: VIEW ON PG 1 FOR PICKUP TAPE; BOM TABLES FOR V0 & HB MATERIAL; NOTE 2.1; POL B COLOR FROM GREY TO NATURAL |
| C2 | UPDATED: DIM 7 TOLERANCE |
| C1 | UPDATED: DIM 10 |
| C | ADDED: DATUM G; DIMENSIONAL INFO FOR ALL CIRCUIT SIZES; TRACEABILITY MARKING INFO; NOTE REFERENCING INTERFACE DRAWING; SOLDER NAIL REFERENCE DIMS; NEW NOTES 1.4, 1.5, 1.6, 1.7; NO CAP PART NUMBERS UPDATED: CHANGED CAP / NO CAP PART NUMBERS; PCB LAYOUT; PAGE 2 LAYOUT; NOTE 2.2 FORMAT; DIMENSION NUMBERS REMOVED: SEVERAL DIMS; DATUM A, B, & C CALLOUTS (SEE INTERFACE DRAWING); DATUM D, E, & F; OLD NOTES 1.4, 1.5, 1.6, 1.7, 3.1, 3.3, 3.4, 3.5, 3.6, 3.7; TUBE PART NUMBERS |
| B1 | ADDED BASE MATERIAL IN SECTION 2.2; ADDED BALLON NUMBERS 1-13; UPDATED VIEW FOR LATCH IMPROVEMENT ON 10CKT; UPDATED NOTES 1.1, 1.2, & 1.3 |
| REV | DESCRIPTION |

THIS DRAWING CONTAINS INFORMATION THAT IS PROPRIETARY TO MOLEX ELECTRONIC TECHNOLOGIES, LLC AND SHOULD NOT BE USED WITHOUT WRITTEN PERMISSION

| | | |
|--|------------------------|-------------------|
| DIMENSION UNITS | SCALE | CURRENT REV DESC: |
| mm | 5:1 | |
| GENERAL TOLERANCES (UNLESS SPECIFIED) | | |
| ANGULAR TOL | ± | ° |
| 4 PLACES | ± | |
| 3 PLACES | ± | |
| 2 PLACES | ± | |
| 1 PLACE | ± | |
| 0 PLACES | ± | |
| DRAFT WHERE APPLICABLE MUST REMAIN WITHIN DIMENSIONS | THIRD ANGLE PROJECTION | DRAWING |
| | | D-SIZE |
| | | SERIES |
| | | MATERIAL NUMBER |
| | | CUSTOMER |
| | | SHEET NUMBER |

EC NO: 672688
DRWN: KHEWITT 2021/05/12
CHK'D: VBALASUBRAMA 2021/08/09
APPR: JDUNAJ 2021/08/09

INITIAL REVISION:
DRWN: ECOLARUSSO 2018/02/23
APPR: JDUNAJ 2018/03/14

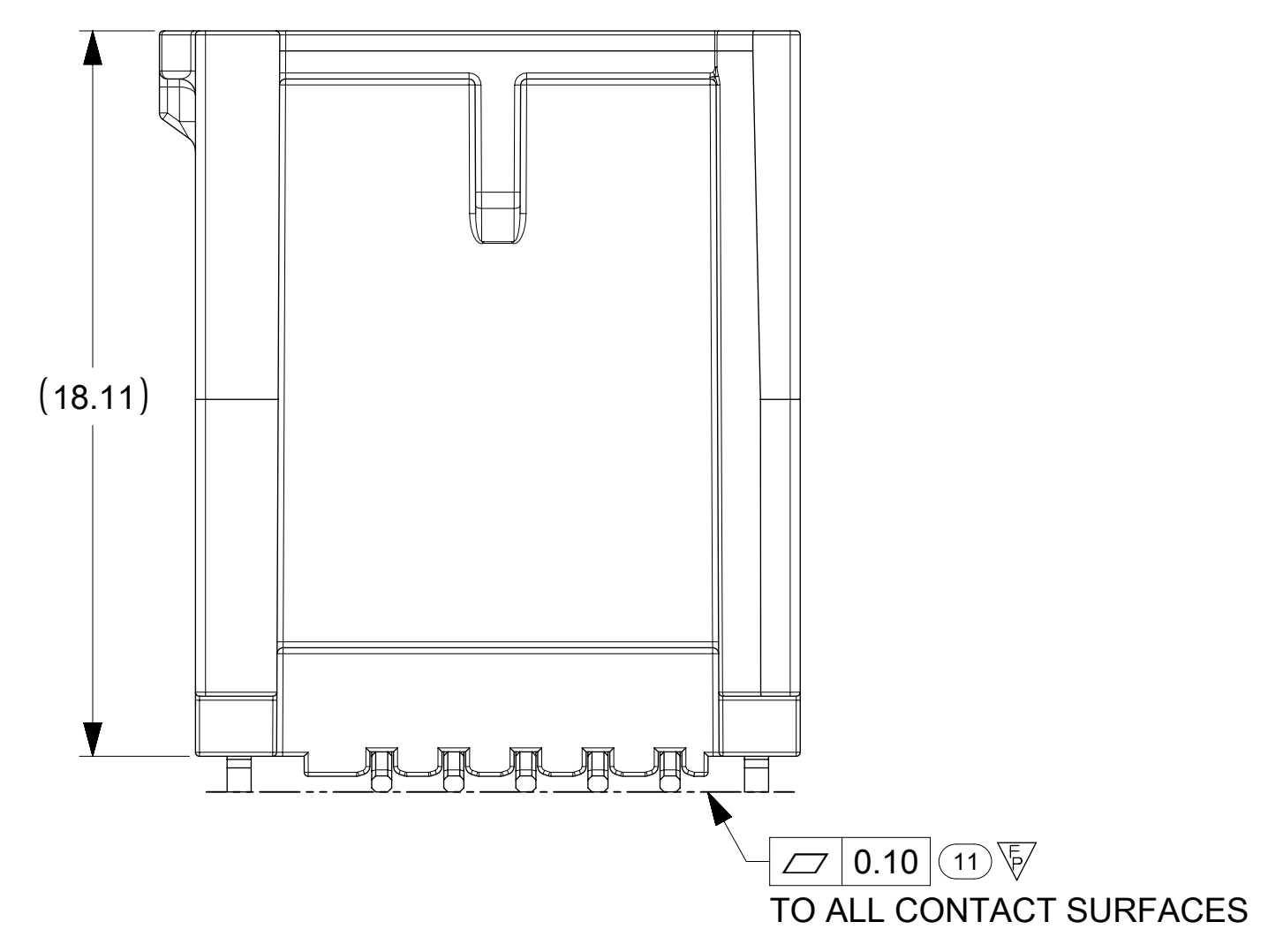
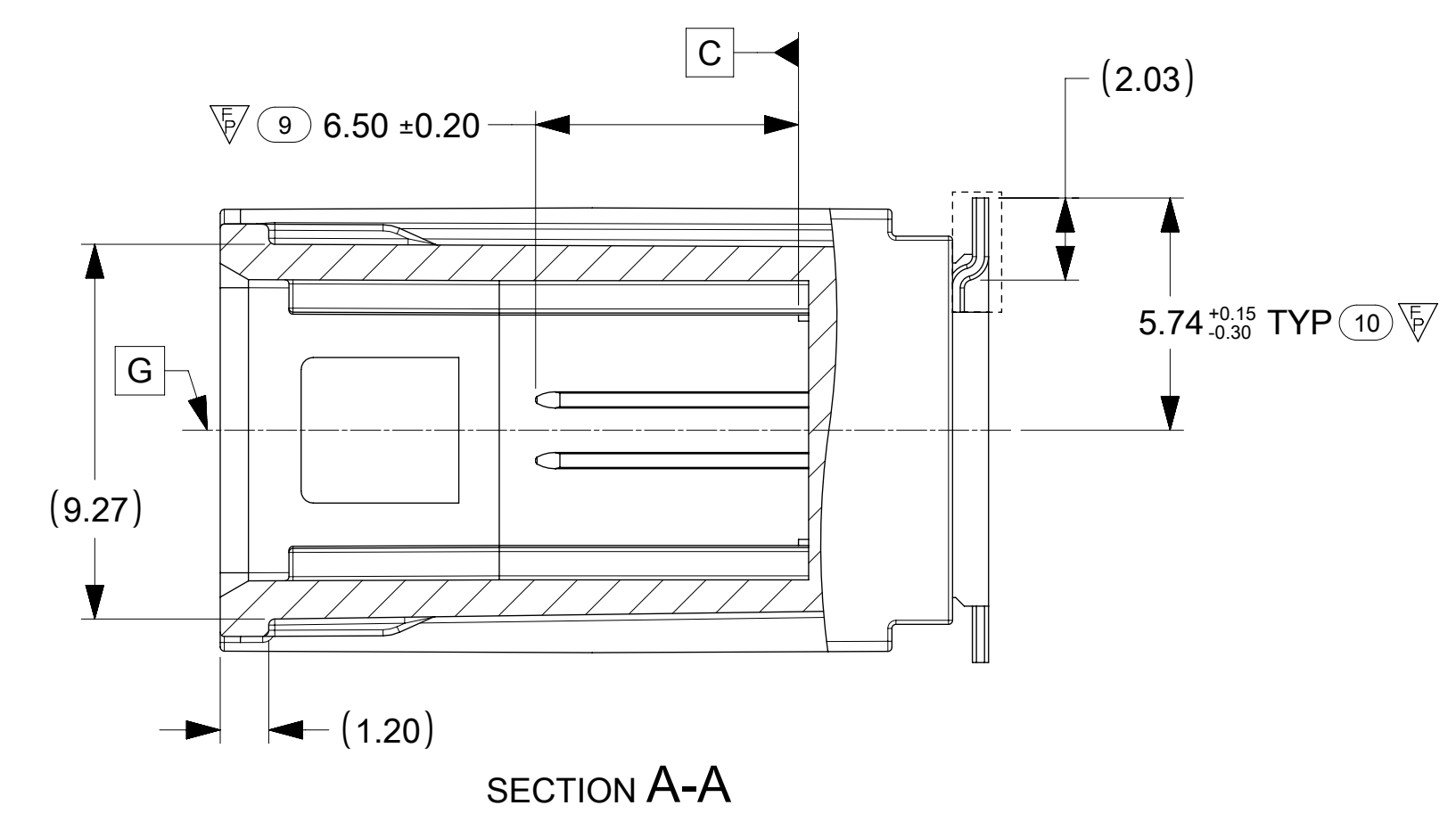
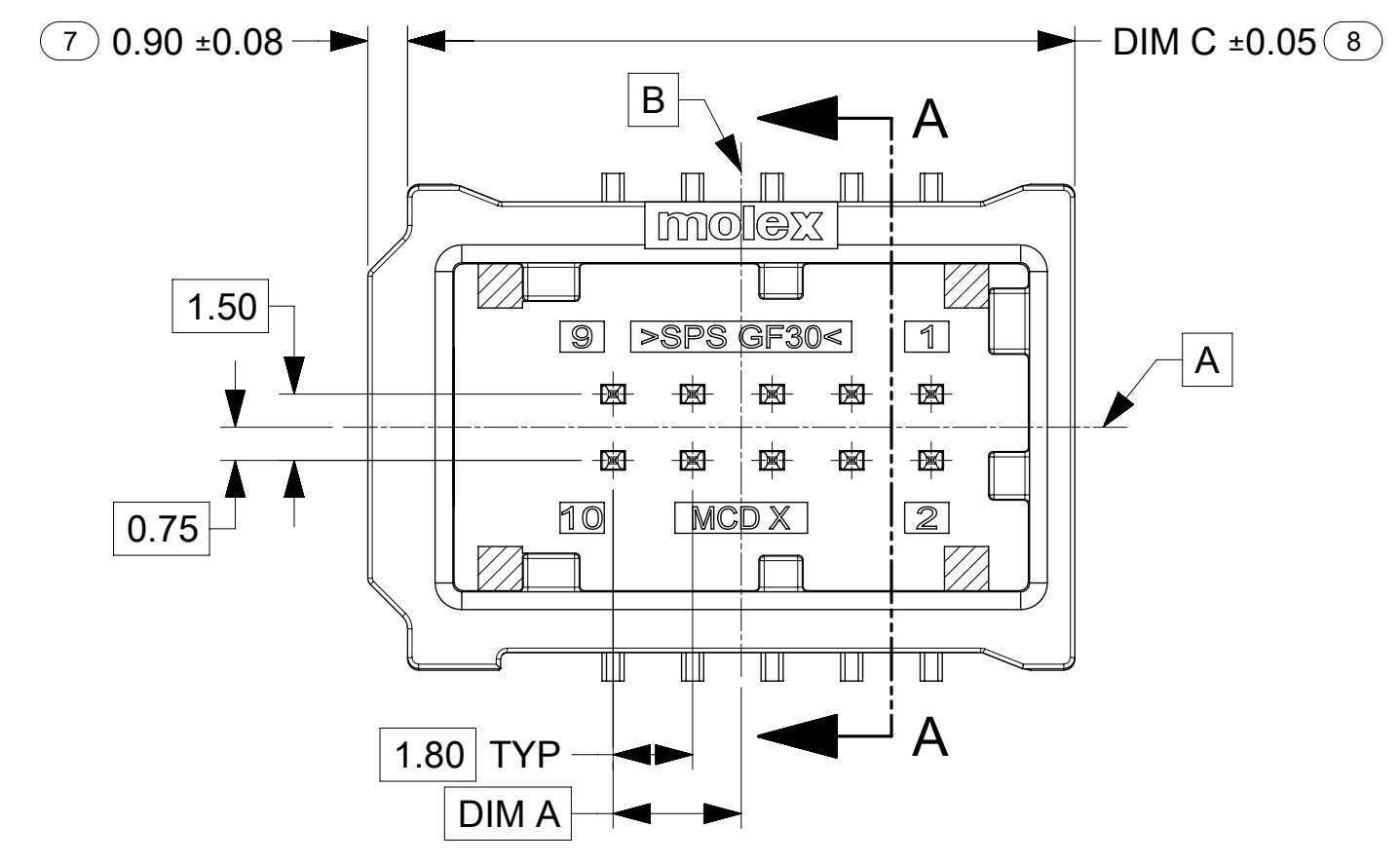
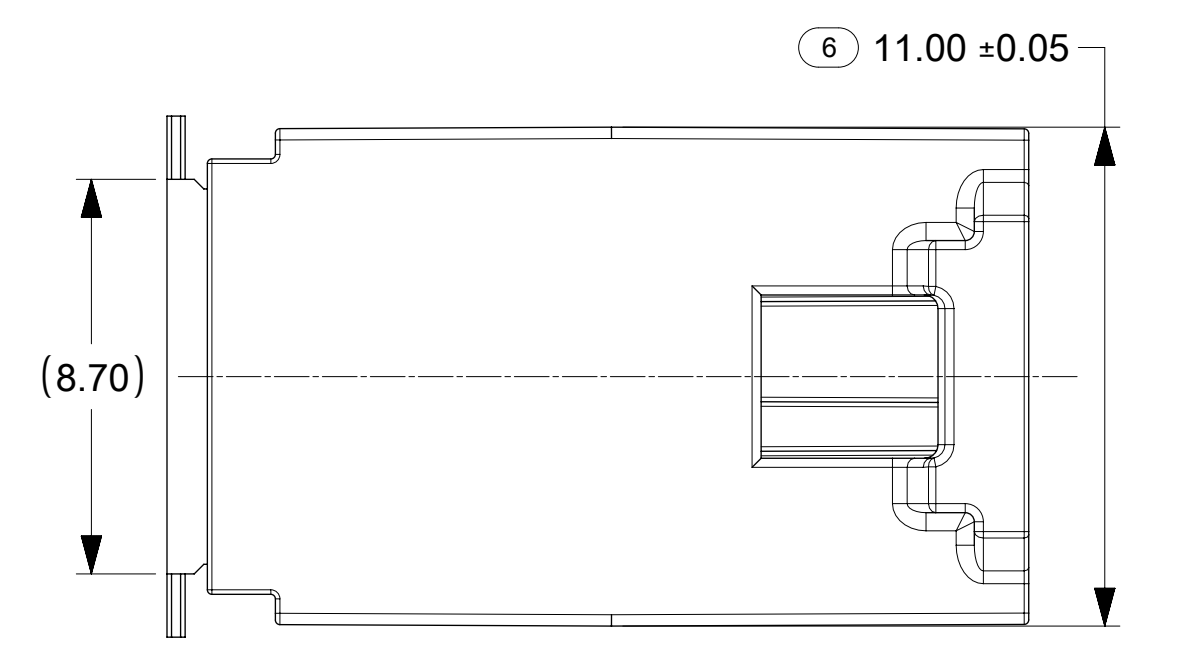
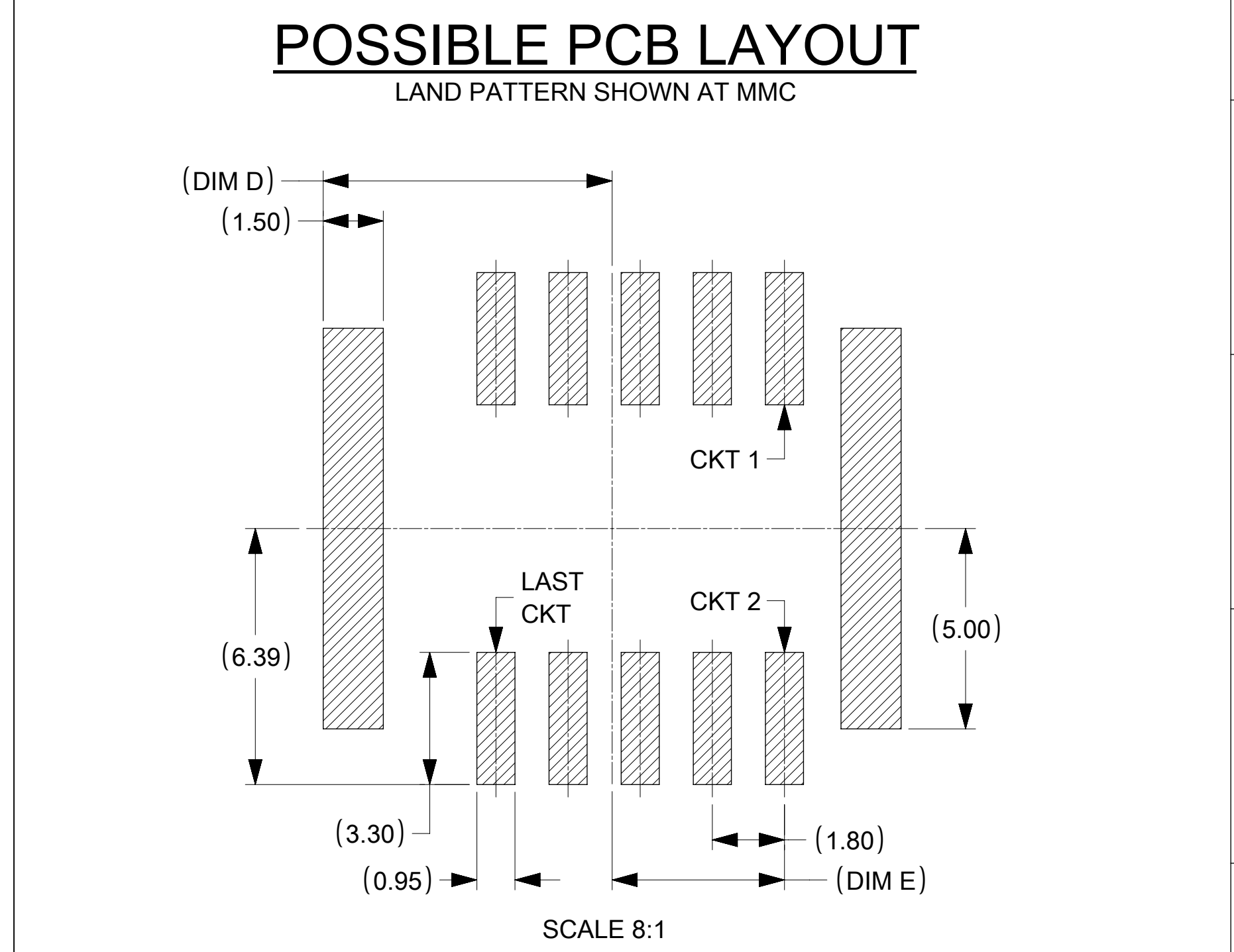
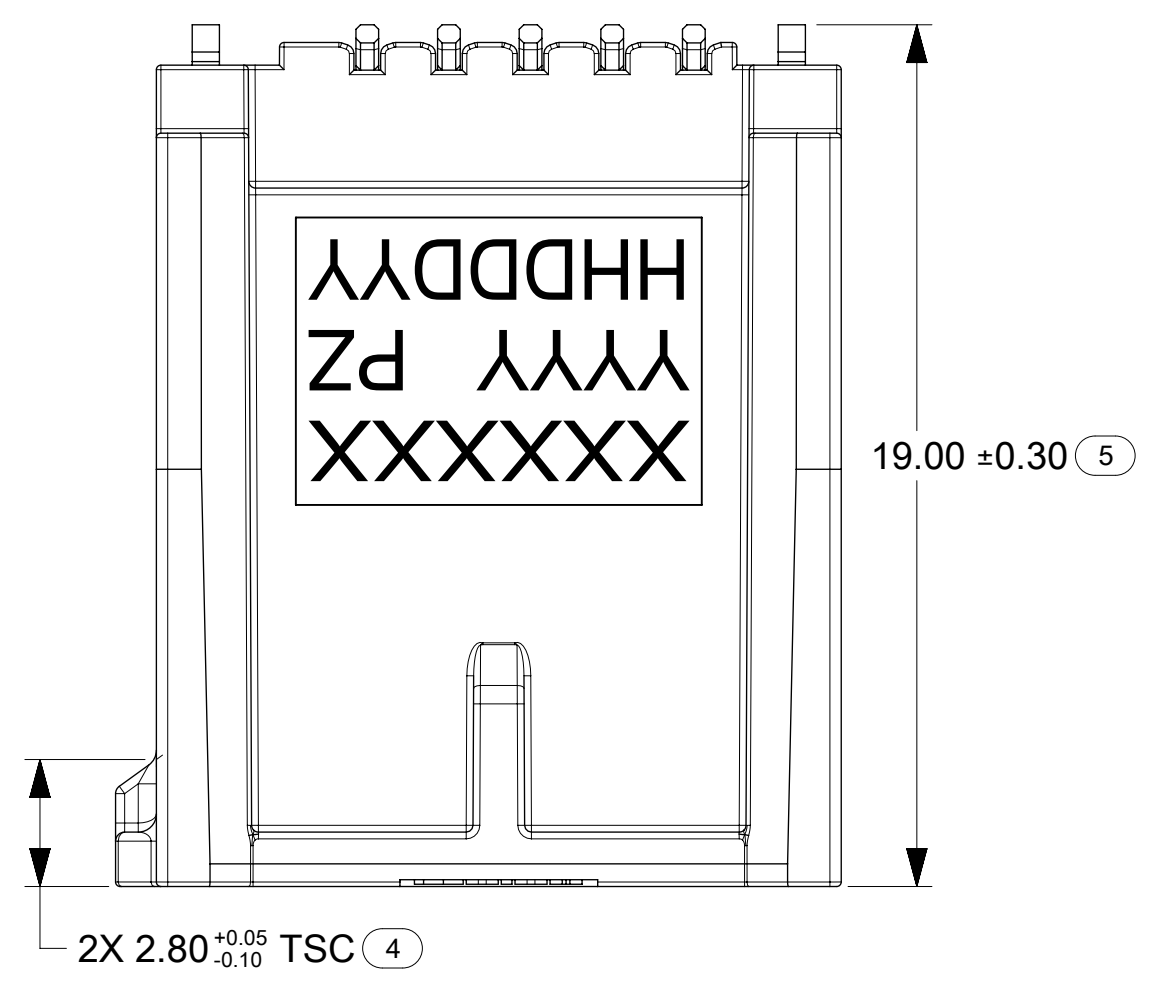
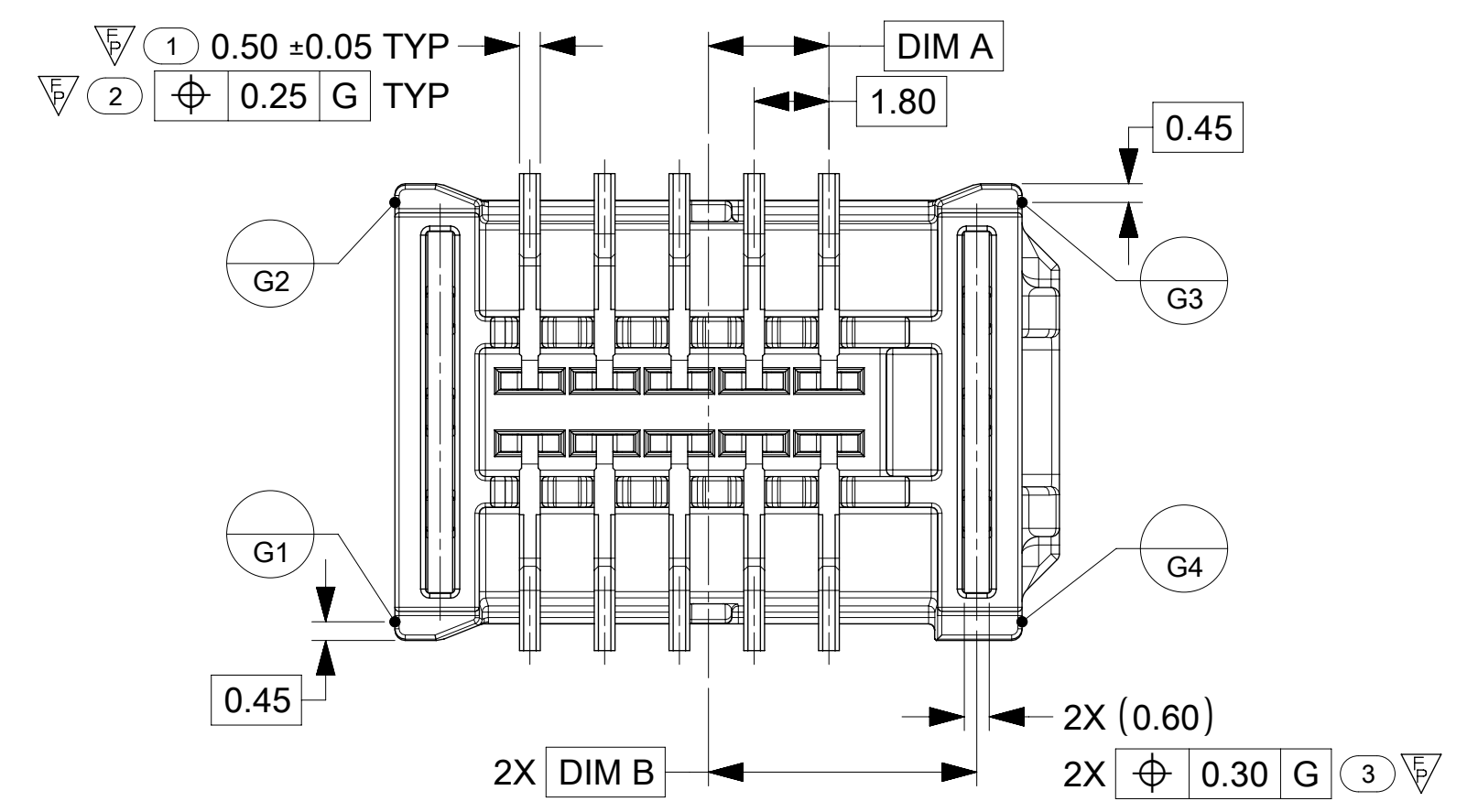
| | | | |
|-----------------|----------|----------|----------|
| DOCUMENT NUMBER | DOC TYPE | DOC PART | REVISION |
| 2057260003 | PSD | 000 | C3 |

CONNTAK50 DR VERTICAL SMT HEADER

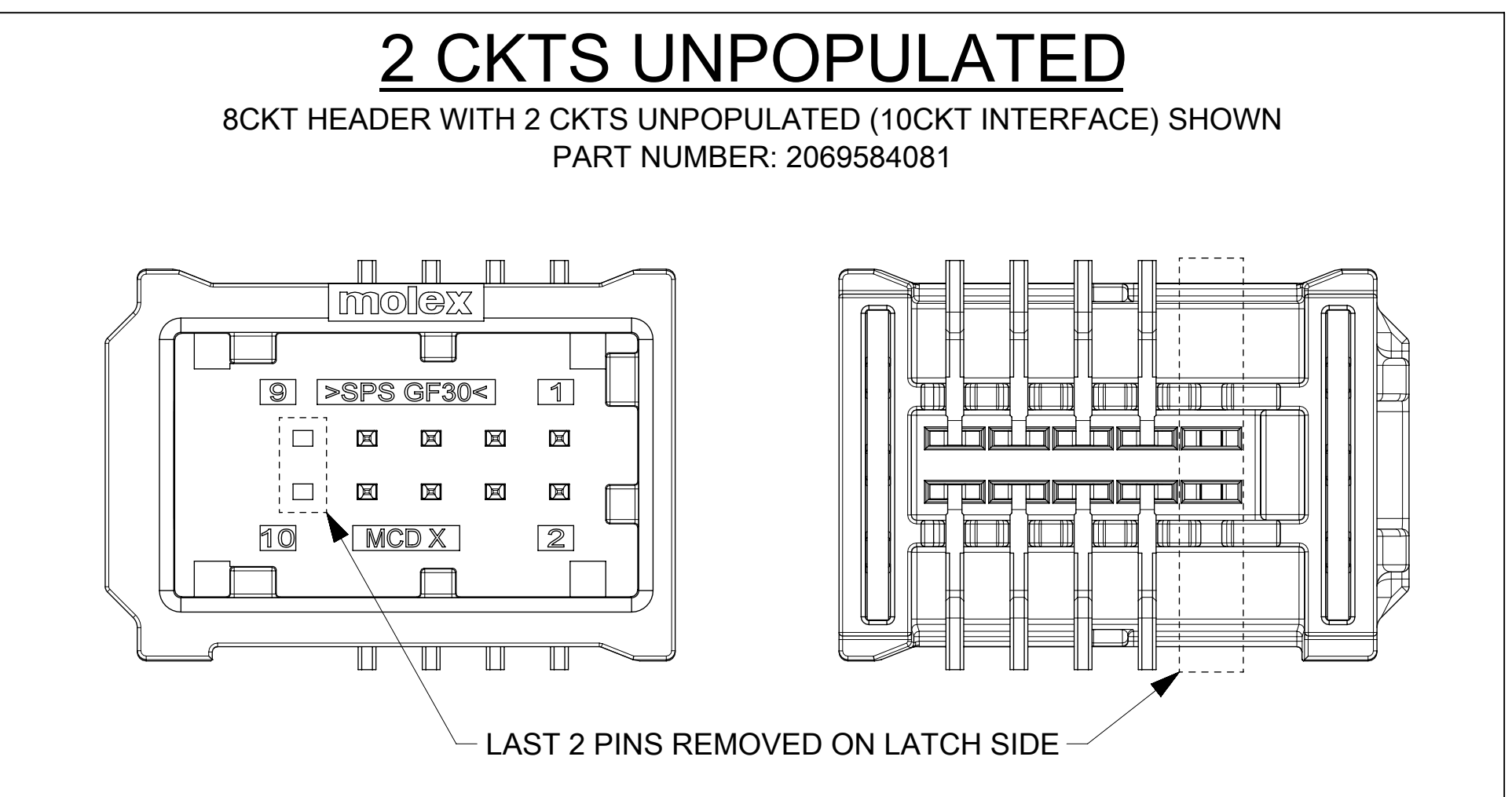
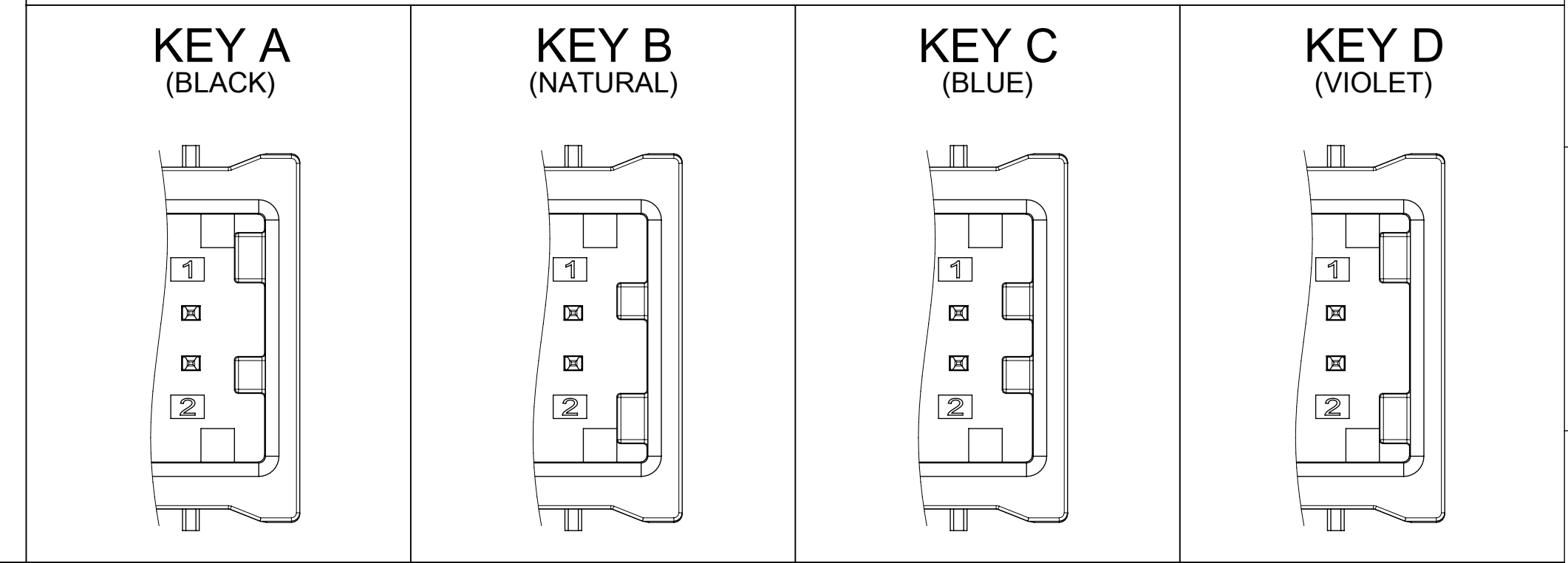
PRODUCT CUSTOMER DRAWING

1 OF 2

10CKT KEY A (2069572101) SHOWN EXCEPT WHERE NOTED
 REFER TO 2046310002 FOR INTERFACE DIMENSIONS



KEYING OPTIONS



| | | | |
|---|---------------------|----------------------------------|-------------------------------|
| THIS DRAWING CONTAINS INFORMATION THAT IS PROPRIETARY TO MOLEX ELECTRONIC TECHNOLOGIES, LLC AND SHOULD NOT BE USED WITHOUT WRITTEN PERMISSION | | | |
| DIMENSION UNITS mm | SCALE 6:1 | CURRENT REV DESC: | |
| GENERAL TOLERANCES (UNLESS SPECIFIED) | | molex | |
| ANGULAR TOL ± ° | 4 PLACES ± | CONNTAK50 DR VERTICAL SMT HEADER | |
| 3 PLACES ± | 3 PLACES ± | PRODUCT CUSTOMER DRAWING | |
| 2 PLACES ± | 2 PLACES ± | DOCUMENT NUMBER | DOC TYPE DOC PART REVISION |
| 1 PLACE ± | 1 PLACE ± | 2057260003 | PSD 000 C3 |
| 0 PLACES ± | 0 PLACES ± | MATERIAL NUMBER | CUSTOMER |
| DRAFT WHERE APPLICABLE MUST REMAIN WITHIN DIMENSIONS | | THIRD ANGLE PROJECTION | SHEET NUMBER |
| | | DRAWING D-SIZE | SHEET NUMBER 2 OF 2 |
| | | SERIES 205726 | |
| | | SEE TABLE | GENERAL MARKET |

| | | | |
|-----------------|----|--------------|---------------------|
| DOCUMENT STATUS | P1 | RELEASE DATE | 2021/08/09 15:18:47 |
|-----------------|----|--------------|---------------------|