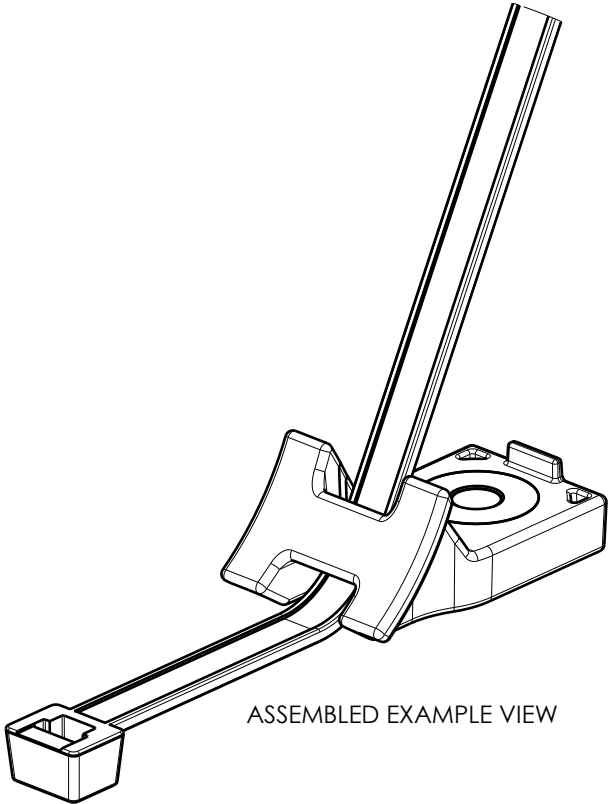
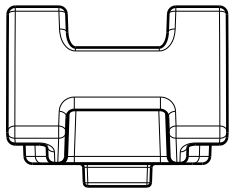
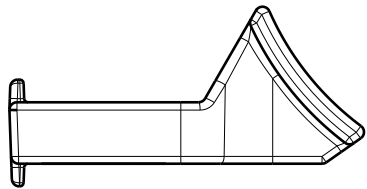
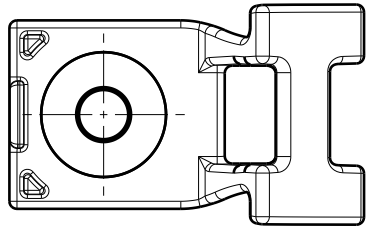


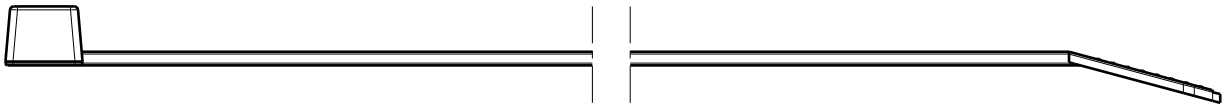
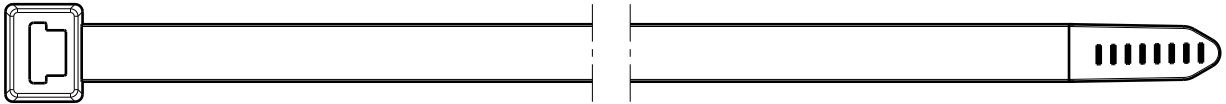
Revision Level			Revision Record	Changed	Date	Approved	Date
Drawing	State	Part					
00.1	Design Release		SEE ECN# 015379	CJR	8/27/19	EJH	8/27/19



ASSEMBLED EXAMPLE VIEW



MOUNT  
DELIVERY CONDITION: UNASSEMBLED SET



T120R CABLE TIE  
DELIVERY CONDITION: UNASSEMBLED SET

Material	Units	millimeters	GLOBAL PART DESCRIPTION	BUNDLE RANGE	CABLE TIE			MOUNT					
					DRAWING	MATERIAL	COLOR	DRAWING	MATERIAL	COLOR			
SEE TABLE			T120RHDM6TSSET-PA66HIRHSUV-BK	5 TO 50	CT2120003	PA66HIRHSUV	BLACK	19-1048-101-CSU	PA66HIRHSUV	BLACK			
			The copyright of this drawing is reserved by HellermannTyton. It is issued on condition that it is not reproduced, copied or disclosed to a third party, either wholly or in part, without the consent of HellermannTyton.		Drawn	CJR	8/20/19	Article/Type-No		T120RHDM6TSSET	Scale	1:1	
					Approved	EJH	8/27/19	Title		ANTI ROTATIONAL HDM MOUNT WITH M6 COMPRESSION LIMITER	Project Number		19-1058
					 North America Email: corp@htamericas.com Web: www.hellermann.tyton.com			Drawing-No		DEVELOPMENT : Phase	Format		B
								19-1058-101-CSU		Sheet		1/1	