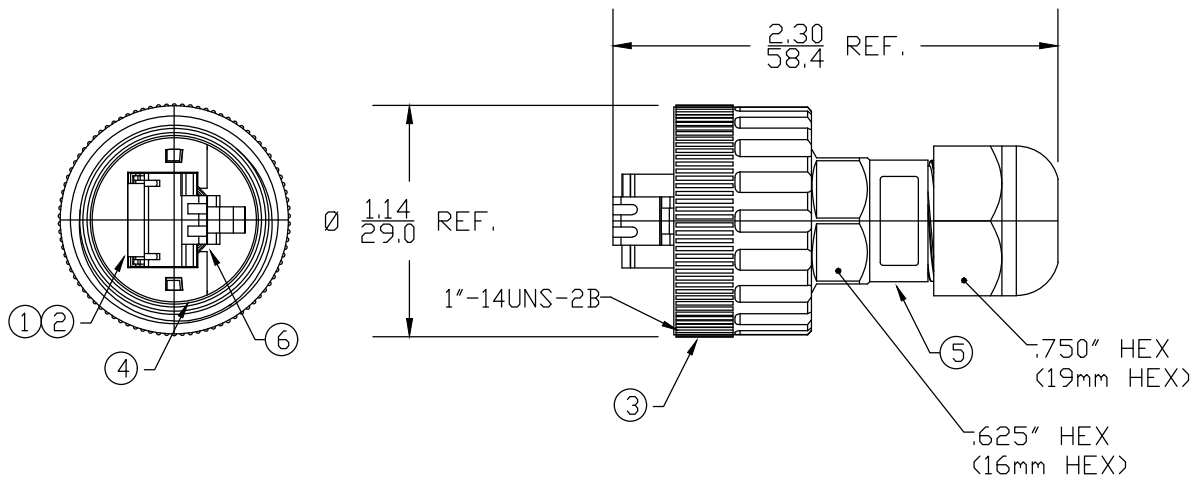
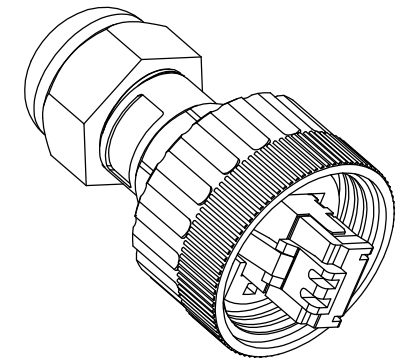


MATERIAL NUMBER	ENGINEERING NUMBER
1300570003	ENSAM315



COMPATIBLE CABLE DIAMETER, MAX	5.08mm [0.2in]
COMPATIBLE CABLE DIAMETER, MIN	4.83mm [0.19in]
COMPATIBLE INSULATION CONDUCTOR DIAMETER, MAX	0.99mm [0.039in]
COMPATIBLE INSULATION CONDUCTOR DIAMETER, MIN	0.86mm [0.034in]
CONTACT PLATING THICKNESS	1.27 μ m
COMPATIBLE CONDUCTOR GAUGE, SOLID	26-24 AWG
COMPATIBLE CONDUCTOR GAUGE, STRANDED	26-24 AWG

VOLTAGE RATING	150 VAC
AMPERAGE RATING	0.75 AMPS
PROTECTION	IP67 WHEN MATED
OPERATING TEMPERATURE	-10°C TO 60°C
CATEGORY RATING	Cat 5

ITEM	COMPONENT	MATERIAL	FINISH
1	CONTACT	PHOSPHOR BRONZE	GOLD
2	PLUG SHIELD	COPPER ALLOY	NICKEL
3	COUPLING NUT	ASA	BLACK
4	O-RING	VITON	BROWN
5	HOUSING	ASA	BLACK
6	RJ-45 HOUSING	GLASS FILLED POLYCARBONATE	-

THIS DRAWING CONTAINS INFORMATION THAT IS PROPRIETARY TO MOLEX ELECTRONIC TECHNOLOGIES, LLC AND SHOULD NOT BE USED WITHOUT WRITTEN PERMISSION

FUNCTIONAL SYMBOLS	DIMENSION UNITS	SCALE	CURRENT REV DESC: ADD NEW TABLE, UPDATE EXISTING TABLES					
	INCH/MM	NTS						
DIVISIONAL SYMBOLS	GENERAL TOLERANCES (UNLESS SPECIFIED)		EC NO: 663136	RJ-LNXX ATTACHABLE FOR SOLID AND STRANDED CORE CABLE				
		mm					INCH	
DIVISIONAL SYMBOLS	4 PLACES	±----	±----	DRWN: CCHRASTKA	2021/05/06	PRODUCT CUSTOMER DRAWING		
	3 PLACES	±----	±0.005	CHK'D: ALEON01	2021/05/07			
	2 PLACES	±0.13	±0.01	APPR: BWOODMAN	2021/05/07			
	1 PLACE	±0.25	±0.02	INITIAL REVISION:				
	0 PLACES	±----	±----	DRWN: VOU	2009/08/26	DOCUMENT NUMBER		
	ANGULAR TOL ± 0.5 °			APPR: JFMURPHY	2009/08/28	SD-130057-002		
	DRAFT WHERE APPLICABLE MUST REMAIN WITHIN DIMENSIONS		THIRD ANGLE PROJECTION	DRAWING	SERIES	MATERIAL NUMBER	CUSTOMER	SHEET NUMBER
				A-SIZE	130057	SEE TABLE	GENERAL MARKET	1 OF 1

DOCUMENT STATUS	P1	RELEASE DATE	2021/05/07	22:13:28
-----------------	----	--------------	------------	----------