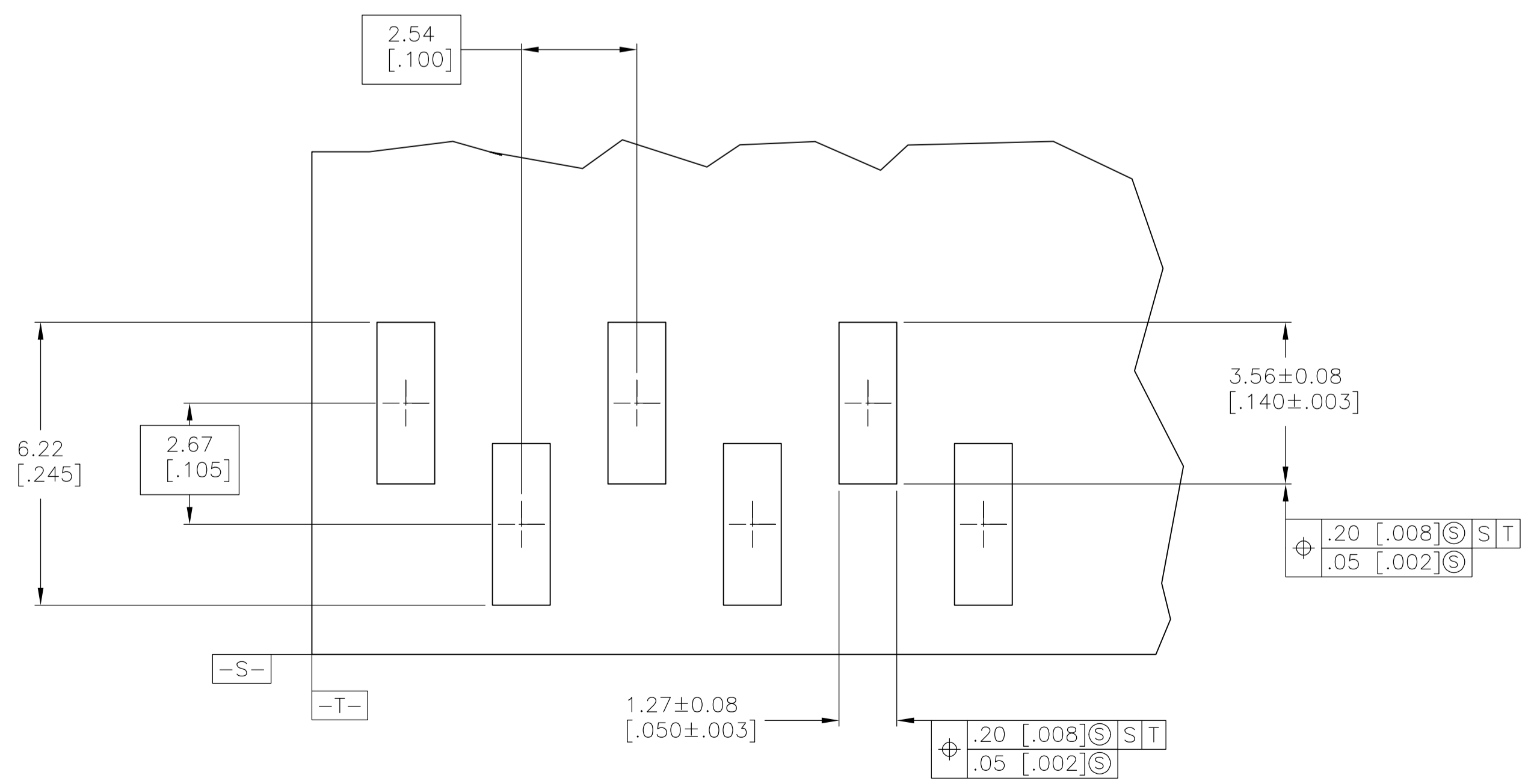
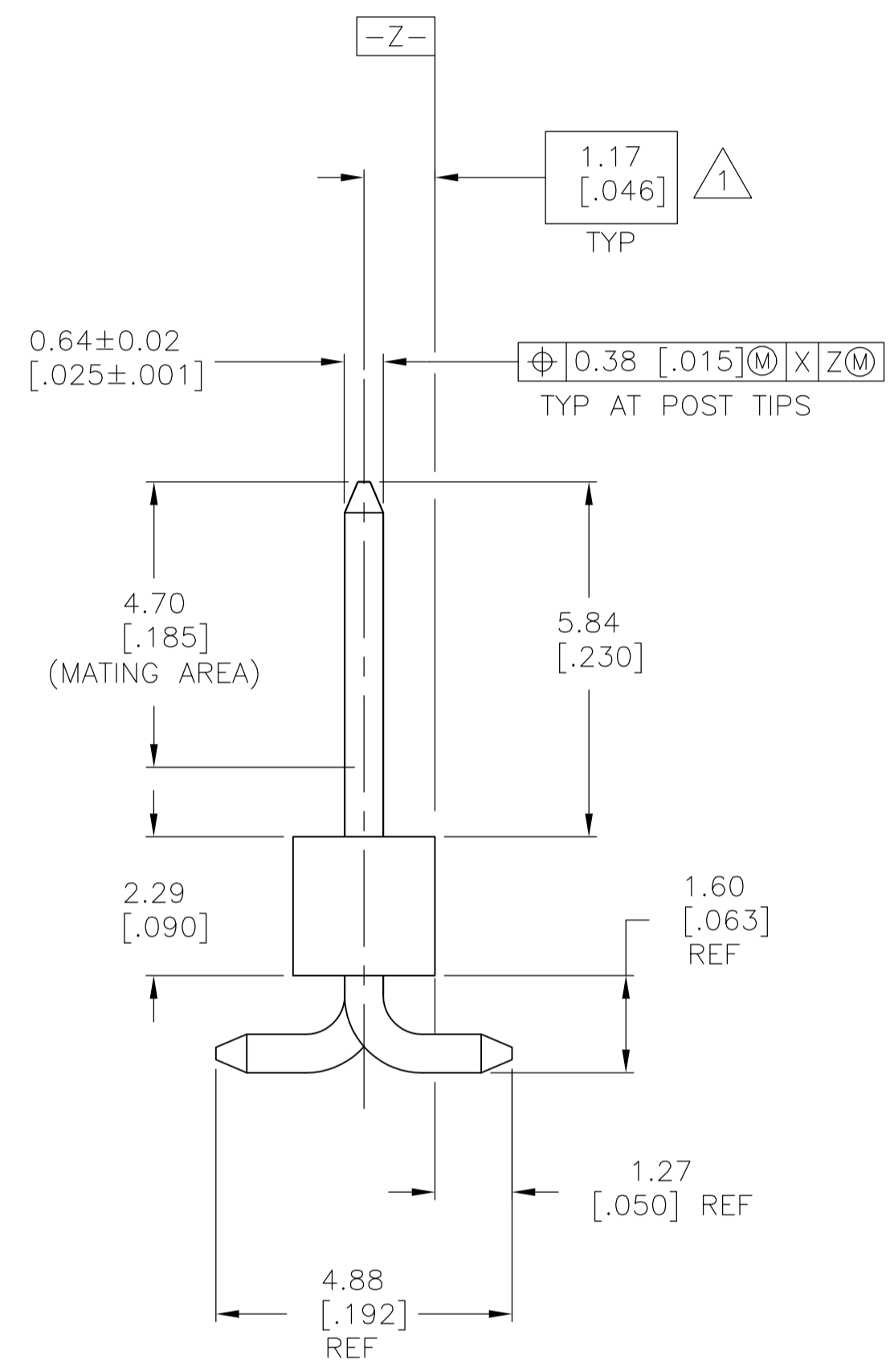
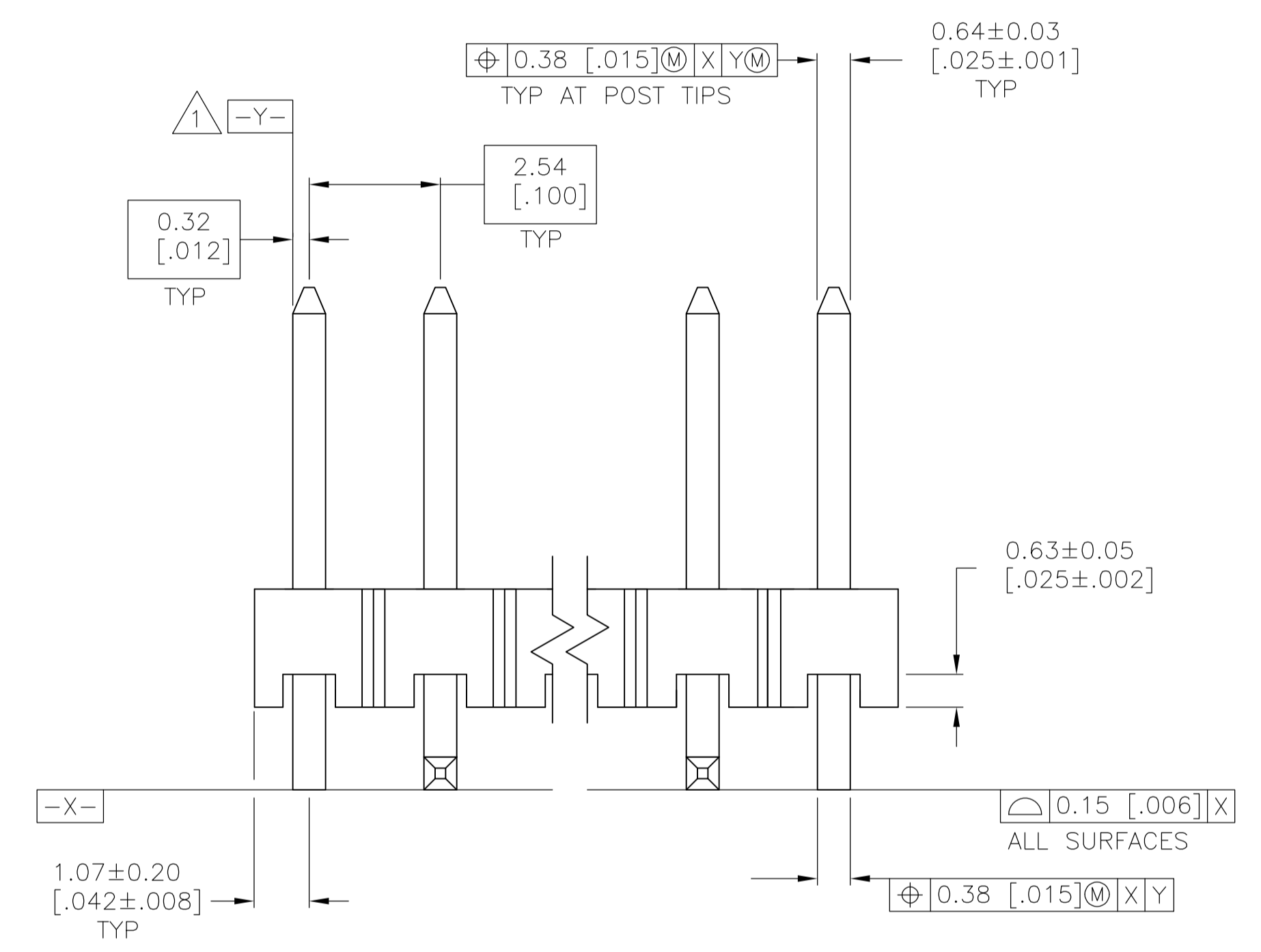


- 1 THE NOTED DIMENSIONS APPLY AT THE INTERSECTION OF THE POST AND THE HOUSING.
- 2 HOUSING: LCP, COLOR-BLACK. POSTS: PHOSPHOR BRONZE.
- 3 0.000076[.000003] MIN GOLD OVER 0.00068[.000027] Pd/Ni ON CONTACT AREA, 0.00254[.000100]-0.00508[.000200] MATTE TIN ON SOLDER TAIL, ALL OVER 0.00127[.000050] NICKEL.



RECOMMENDED PCB LAYOUT FOR USE WITH 0.20[.008] THICK STENCIL

3	35.56 [1.400]	14	35.69 [1.484]	15	1-1977943-5
3	5.08 [0.200]	2	7.21 [0.284]	3	1977943-3
PLATING	C	B	A	NO OF POSN	PART NUMBER

THIS DRAWING IS A CONTROLLED DOCUMENT.

DIMENSIONS: mm [INCHES]	TOLERANCES UNLESS OTHERWISE SPECIFIED:	DWN: KIRAN HOLAL 19AUG2013	CHK: MIKE MILLER 19AUG2013	APVD: MIKE MILLER 19AUG2013	NAME: SURFACE MOUNT HEADER ASSEMBLY, MOD II, BREAKAWAY, VERTICAL, SINGLE ROW, .100 X.100 C/L .025 SQ.POST, 30Pd/Ni
0. PLC ± -	1. PLC ± -	2. PLC ± -	3. PLC ± 0.13[.005]	4. PLC ± -	APPLICATION SPEC
ANGLES ± -	SEE TABLE	WEIGHT	SIZE: A1	CAGE CODE: 00779	DRAWING NO: 1977943
MATERIAL: 2	FINISH: SEE TABLE	CUSTOMER DRAWING	SCALE: 10:1	SHEET: 1 OF 1	REV: C