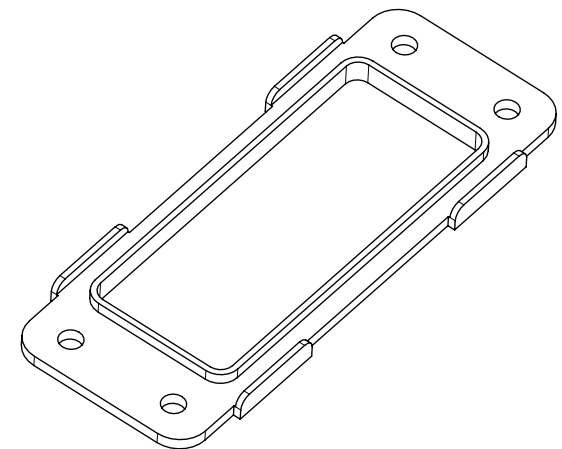


PRE-RELEASE  
REFERENCE  
USE ONLY



THIS DRAWING CONTAINS INFORMATION THAT IS PROPRIETARY TO MOLEX ELECTRONIC TECHNOLOGIES, LLC AND SHOULD NOT BE USED WITHOUT WRITTEN PERMISSION

DIMENSION UNITS		SCALE		CURRENT REV DESC:				<b>molex</b>									
mm		1:1															
GENERAL TOLERANCES (UNLESS SPECIFIED)						EC NO:				5121.019X.X							
ANGULAR TOL ± 1.0°						DRWN: AKABADI				10A BOTTOM GASKET FOR BULKHEAD HOUSING							
4 PLACES ±						CHK'D: DMERONI				2021/03/22							
3 PLACES ±						APPR:				2021/04/01							
2 PLACES ± 0.1						INITIAL REVISION:				PRODUCT CUSTOMER DRAWING							
1 PLACE ± 0.2						DRWN: AKABADI				DOCUMENT NUMBER		DOC TYPE		DOC PART		REVISION	
0 PLACES ± 0.3						APPR:				936070001		PSD		000		A	
DRAFT WHERE APPLICABLE MUST REMAIN WITHIN DIMENSIONS				FIRST ANGLE PROJECTION		DRAWING		SERIES		MATERIAL NUMBER		CUSTOMER		SHEET NUMBER			
						A4-SIZE		93607		936070001		GENERAL MARKET		1 OF 1			

DOCUMENT STATUS	RV	RELEASE DATE	
-----------------	----	--------------	--