

MATERIALS AND FINISHES:

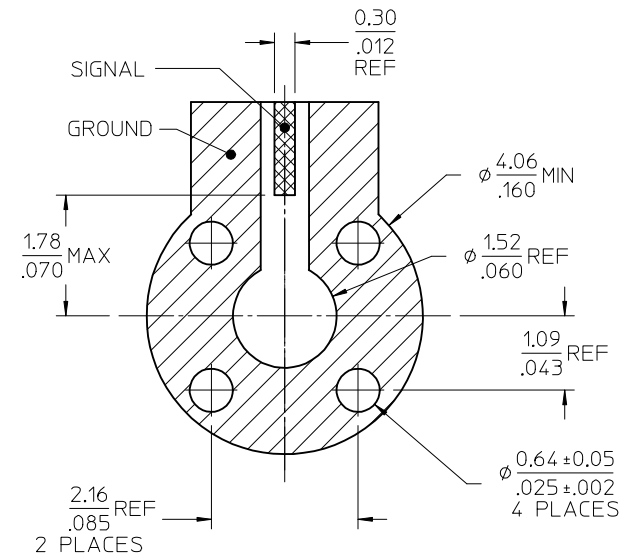
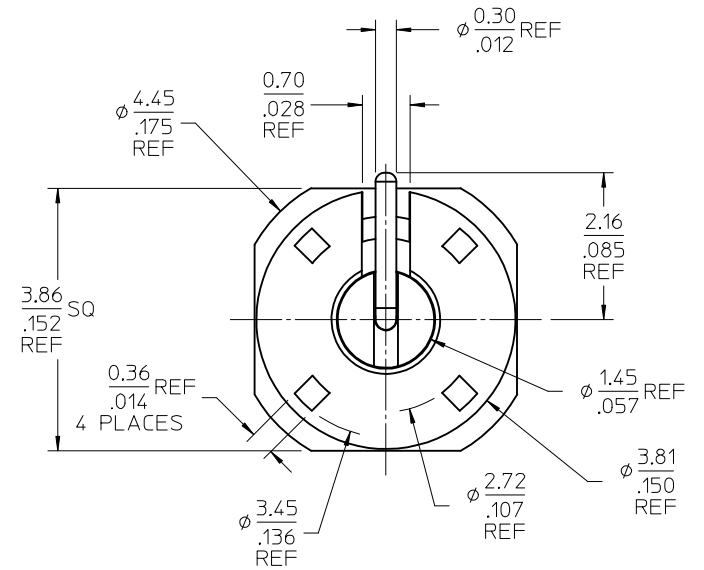
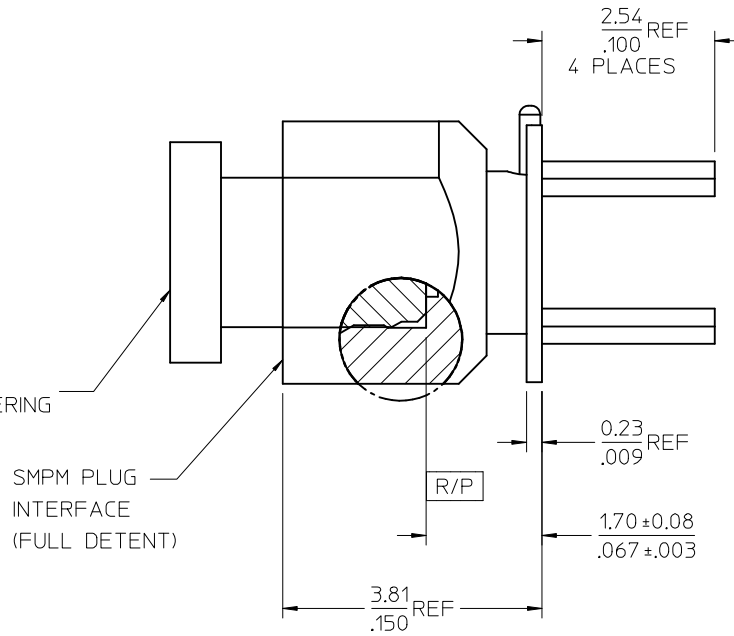
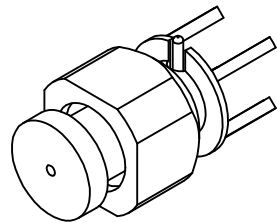
BODY: BRASS
 PLATED: GOLD (30μ-in MIN)
 OVER NICKEL (100μ-in MIN)

CONTACT: BERYLLIUM COPPER
 PLATED: GOLD (30μ-in MIN)
 OVER NICKEL (100μ-in MIN)

INSULATOR &
 ALIGNMENT PLUG: PTFE

ALIGNMENT PLUG:
 REMOVE AFTER SOLDERING
 ONTO PCB

SMPM PLUG
 INTERFACE
 (FULL DETENT)



SUGGESTED PCB FOOTPRINT

| | |
|------------|-----------|
| 73300-0110 | TRAY |
| PART NO. | PACKAGING |

| | |
|--------------------------|---------------------|
| MIL-STD-348B, FIG. 328.2 | SMPM PLUG INTERFACE |
| SPECIFICATION | DESCRIPTION |

| | | |
|--|-----------------|-------------|
| CHG: ADD TOLERANCE TO DIM 1.70/.067 IN F6/7 ZONE IEC NO: URF2017-0389 DRW: NAKRAKASHO1 2017/05/19 CHK: D888 2017/05/19 APPR: AROBERTSON 2017/06/26 | QUALITY SYMBOLS | DESCRIPTION |
| | ▽=0 | |
| | ▽=0 | |
| | ▽=0 | |
| REV: A3 | | |

| | |
|--|---------|
| GENERAL TOLERANCES (UNLESS SPECIFIED) | |
| mm | INCH |
| 4 PLACES ± .010 | ± .0004 |
| 3 PLACES ± .010 | ± .0004 |
| 2 PLACES ± 0.25 | ± .010 |
| 1 PLACE ± .010 | ± .0004 |
| 0 PLACE ± | ± |
| ANGULAR ± 2 ° | |
| DRAFT WHERE APPLICABLE MUST REMAIN WITHIN DIMENSIONS | |

| | | | | |
|-----------------|------------|---|--------------|------------------------|
| DIMENSION STYLE | | SCALE | DESIGN UNITS | THIRD ANGLE PROJECTION |
| MM/IN | | | METRIC | |
| DRAWN BY | DATE | TITLE | | |
| JLEE02 | 2011/12/19 | SMPM PLUG FULL DETENT PCB VERTICAL SMT/TH SMPM-P/PCB EWR-4854 | | |
| CHECKED BY | DATE | molex DOCUMENT NO. SD-73300-011 SHEET NO. 1 OF 1 | | |
| SSS | 2012/08/21 | | | |
| APPROVED BY | DATE | THIS DRAWING CONTAINS INFORMATION THAT IS PROPRIETARY TO MOLEX INCORPORATED AND SHOULD NOT BE USED WITHOUT WRITTEN PERMISSION | | |
| JWIENER | 2012/08/23 | | | |

MATERIALS AND FINISHES:

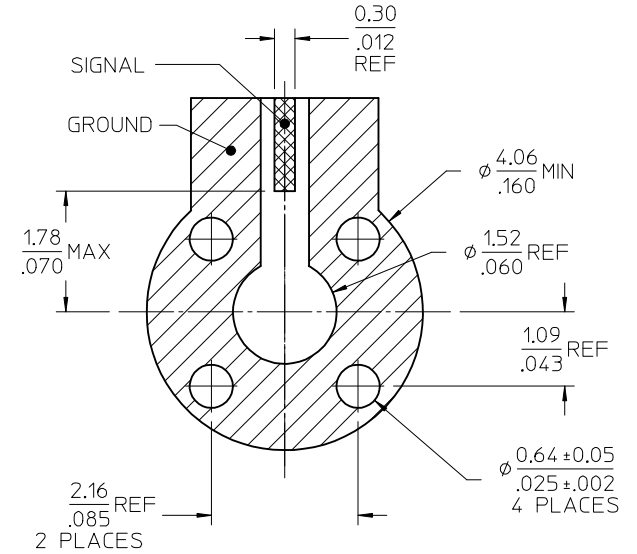
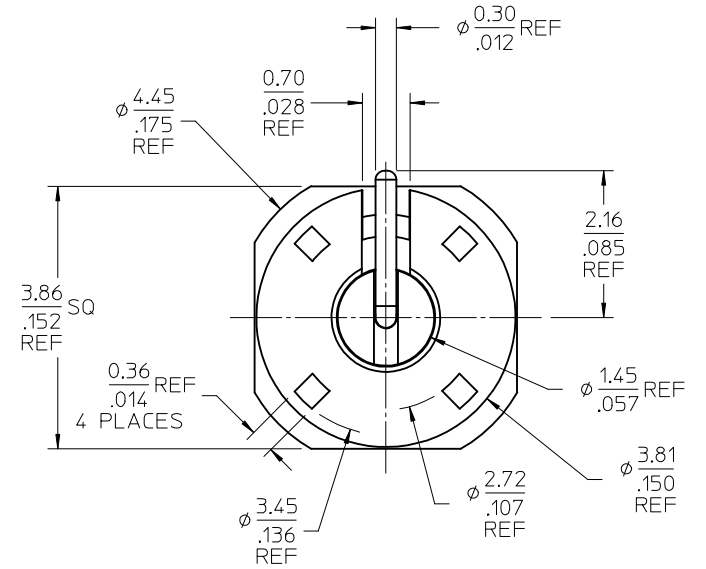
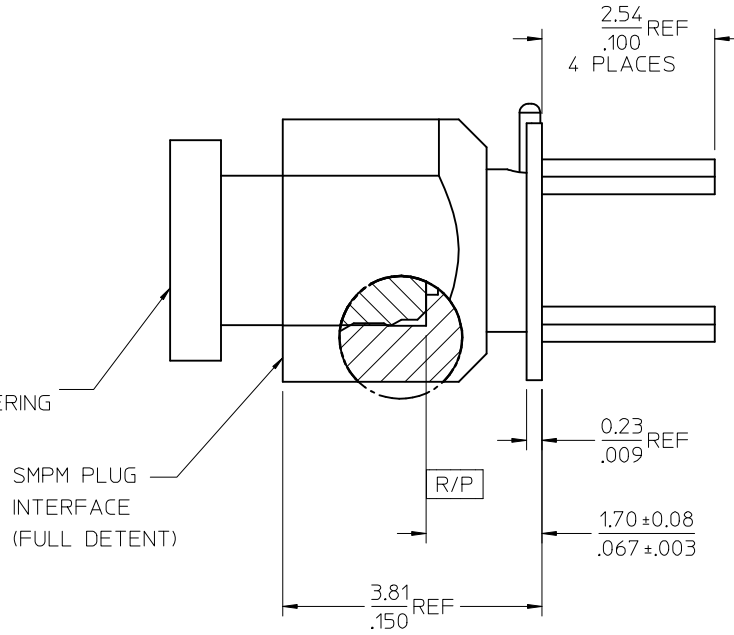
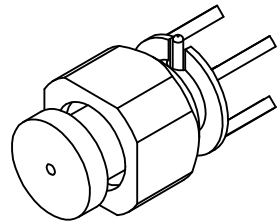
BODY: BRASS
 PLATED: GOLD (30μ-in MIN)
 OVER NICKEL (100μ-in MIN)

CONTACT: BERYLLIUM COPPER
 PLATED: GOLD (30μ-in MIN)
 OVER NICKEL (100μ-in MIN)

INSULATOR &
 ALIGNMENT PLUG: PTFE

ALIGNMENT PLUG:
 REMOVE AFTER SOLDERING
 ONTO PCB

SMPM PLUG
 INTERFACE
 (FULL DETENT)



SUGGESTED PCB FOOTPRINT

| | |
|------------|-----------|
| 73300-0110 | TRAY |
| PART NO. | PACKAGING |

| | |
|--------------------------|---------------------|
| MIL-STD-348B, FIG. 328.2 | SMPM PLUG INTERFACE |
| SPECIFICATION | DESCRIPTION |

| | | |
|--|-------------------|-------------|
| CHG: ADD TOLERANCE TO DIM 1.70/.067 IN F6/7 ZONE IEC NO: URF2017-0389 DRW: NAKRAKASHO1 2017/05/19 CHK: D888 2017/05/19 APPR: AROBERTSON 2017/06/26 | QUALITY SYMBOLS | DESCRIPTION |
| | ∇=0 ∇=0 ∇=0 | |
| | REV: A3 | |

| | |
|--|---------|
| GENERAL TOLERANCES (UNLESS SPECIFIED) | |
| mm | INCH |
| 4 PLACES ± .010 | ± .0004 |
| 3 PLACES ± .010 | ± .0004 |
| 2 PLACES ± 0.25 | ± .010 |
| 1 PLACE ± .010 | ± .0004 |
| 0 PLACE ± .010 | ± .0004 |
| ANGULAR ± 2 ° | |
| DRAFT WHERE APPLICABLE MUST REMAIN WITHIN DIMENSIONS | |

| | |
|-----------------|------------|
| DIMENSION STYLE | |
| MM/IN | |
| DRAWN BY | DATE |
| JLEE02 | 2011/12/19 |
| CHECKED BY | DATE |
| SSS | 2012/08/21 |
| APPROVED BY | DATE |
| JWIENER | 2012/08/23 |
| MATERIAL NO. | |
| SEE TABLE | |
| SIZE | C |

| | | |
|---|--------------|------------------------|
| SCALE | DESIGN UNITS | THIRD ANGLE PROJECTION |
| | METRIC | |
| TITLE | | |
| SMPM PLUG FULL DETENT PCB VERTICAL SMT/TH SMPM-P/PCB EWR-4854 | | |
| molex | | |
| DOCUMENT NO. | SHEET NO. | |
| SD-73300-011 | 1 OF 1 | |
| THIS DRAWING CONTAINS INFORMATION THAT IS PROPRIETARY TO MOLEX INCORPORATED AND SHOULD NOT BE USED WITHOUT WRITTEN PERMISSION | | |