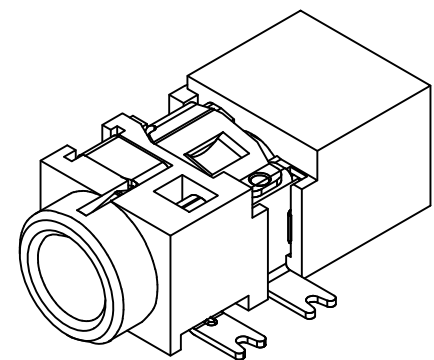
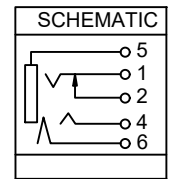
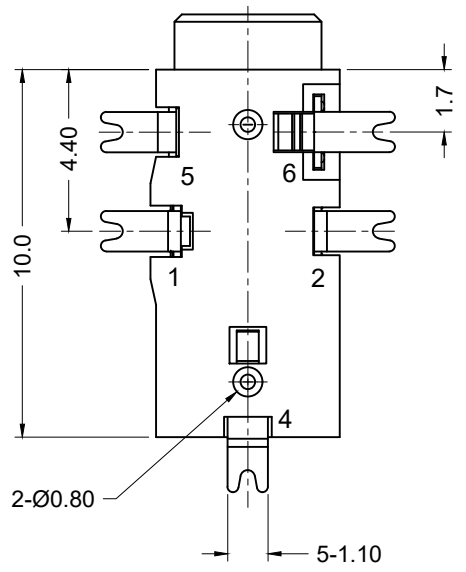


RECOMMENDED PADS LAYOUT  
<TOP VIEW>



**Material and Finish**

Housing: High Temp Plastic  
Terminals: Copper Alloy,  
Silver Plated

**Electrical Characteristics**

Contact Resistance:  
Before Test: 50 milliohms max.  
After Durability Test:  
100 milliohms max.  
  
Rated Voltage: 16V DC  
Rated Current: 0.3A  
  
Insulation Resistance:  
100 Megohms min.  
at 500V DC  
  
Dielectric Strength:  
500V AC RMS for 1 minute  
  
Operating Temp:  
-25°C to +85°C

Tolerances
X.X ± 0.25
X.XX ± 0.15
Unless Stated Otherwise

**RoHS COMPLIANT**



REV.	DATE	DESCRIPTION	REV. BY	CHK. BY	DRAWN BY	DATE
A0	1/11/08	New Drawing	WILL H.	H. MA	WILL H.	1/10/08
A1	3/3/08	Release Drawing	H. MA	N/A		
A2	09/14/09	ECO #09-070	S. Vien	H. MA		
A3	08/14/18	Update Address	D. Shehan	N/A		

**STX-25406-5N-TR**

Ø2.5mm Earphone Jack, SMT  
5 Pins, RoHS Compliant

