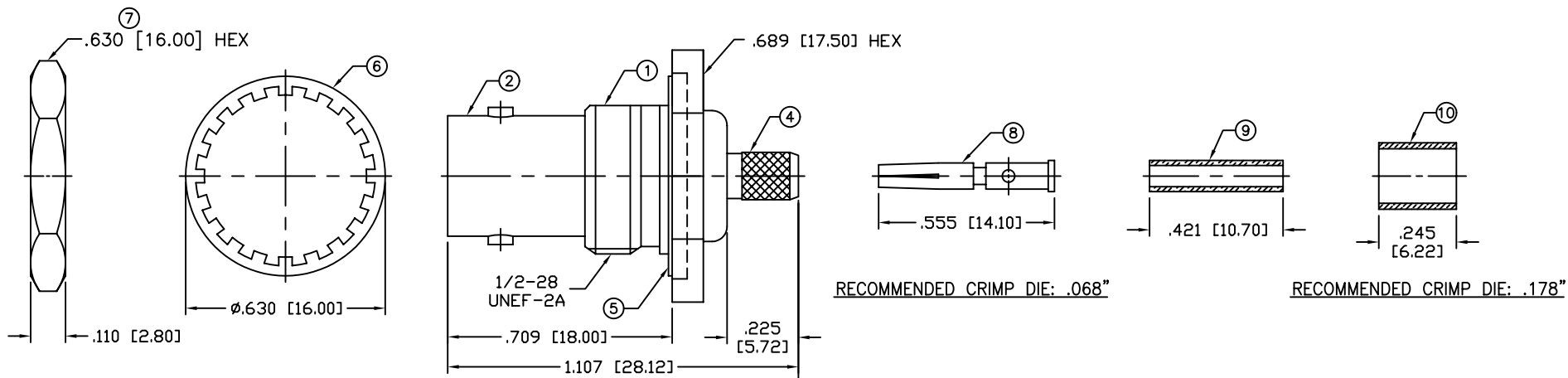


THIS DRAWING CONTAINS INFORMATION PROPRIETARY TO RF INDUSTRIES,  
 ANY UNAUTHORIZED USE OF THIS DRAWING IS EXPRESSLY PROHIBITED  
 WITHOUT WRITTEN PERMISSION FROM RF INDUSTRIES.  
 ANY VIOLATION IS PUNISHABLE UNDER U.S. COPYRIGHT LAWS.

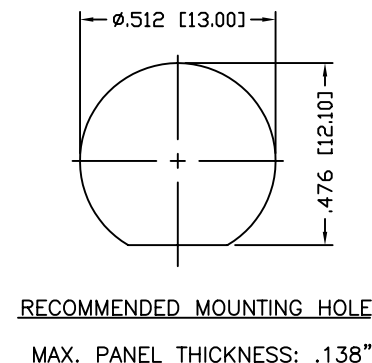
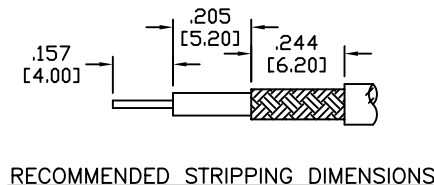
ALL DIMENSIONS ARE REFERENCE ONLY

|                                |                              |     |          |          |
|--------------------------------|------------------------------|-----|----------|----------|
| PART NO. <b>RFB-1117-BT-04</b> |                              |     |          |          |
| REV                            | DESCRIPTION                  | DWN | DATE     | APPROVED |
| -                              | ENGINEERING RELEASE          | CZS | 02/03/03 | JDMc     |
| A                              | CHANGE DIMENSIONS THROUGHOUT | CZS | 02/25/03 | JDMc     |
|                                |                              |     |          |          |



**SPECIFICATIONS:**

IMPEDANCE: 50 Ohms  
 FREQUENCY RANGE: 0-4 GHz  
 VSWR: 1.3 Max.  
 WORKING VOLTAGE: 500 V rms @ sea level  
 TEMPERATURE RANGE: -65°C TO 165°C  
 INSULATION RESISTANCE: 5k M Ohms min.  
 FOR RG-174, 188, 188A, 316/U, ALPHA 9174, 9316,  
 BELDEN 8216, 83269, 83284, 84316 & TIMES LMR-100A CABLE



|    |              |     |             |               |           |          |
|----|--------------|-----|-------------|---------------|-----------|----------|
| 1  | BODY         | 1   | BRASS       | NICKEL, 100μ" | 008974    |          |
| 2  | BNC BODY     | 1   | BRASS       | NICKEL, 100μ" |           |          |
| 3  | INSULATOR    | 1   | PTFE        | ---           |           |          |
| 4  | FERRULE STUD | 1   | BRASS       | NICKEL, 100μ" |           |          |
| 5  | GASKET       | 1   | RUBBER      | ---           |           |          |
| 6  | LOCK WASHER  | 1   | BRASS       | NICKEL, 100μ" |           |          |
| 7  | HEX NUT      | 1   | BRASS       | NICKEL, 100μ" |           |          |
| 8  | PIN          | 1   | PHOS BRONZE | GOLD, 3μ"     |           |          |
| 9  | SLEEVE       | 1   | DELRIN      | ---           |           |          |
| 10 | FERRULE      | 1   | BRASS       | NICKEL, 100μ" |           |          |
| 11 |              |     |             |               | DRAWN     |          |
| 12 |              |     |             |               | C. ZUNIGA | 09/29/05 |
| 13 |              |     |             |               | CHECKED   |          |
| 14 |              |     |             |               | ORJ DRAWN |          |
|    |              |     |             |               | C. ZUNIGA | 02/03/03 |
| #  | DESCRIPTION  | QTY | MATERIAL    | FINISH        | APPROVALS | DATE     |

UNLESS OTHERWISE SPECIFIED:

DIMENSIONS ARE IN INCHES AND [MILLIMETERS]  
 UNLESS OTHERWISE NOTED TOLERANCES ARE:

|          |          |
|----------|----------|
| DECIMALS | DIAMETER |
|----------|----------|

**RF connectors**  
 DIVISION OF RF INDUSTRIES, LTD.

7610 MIRAMAR RD  
 SAN DIEGO, CA 92126  
 (858) 549-6340  
 (858) 549-6345 FAX

## BNC JACK CRIMP

BULKHEAD

|      |             |                |     |
|------|-------------|----------------|-----|
| SIZE | CABLE GROUP | DWG NO.        | REV |
| A    | B           | RFB-1117-BT-04 | A   |

SCALE: NTS      CAD FILE OUTLINE      SHEET 1 OF 1