



■ Features :

- AC input range selectable by switch
- Built-in passive PFC function compliance to EN61000-3-2
- High efficiency 89% and low dissipation
- Protections: Short circuit / Overload / Over voltage / Over temperature
- Cooling by free air convection
- Built-in constant current limiting circuit
- Can be installed on DIN rail TS-35/7.5 or 15
- UL 508(industrial control equipment)approved
- EN61000-6-2(EN50082-2) industrial immunity level
- 100% full load burn-in test
- 3 years warranty

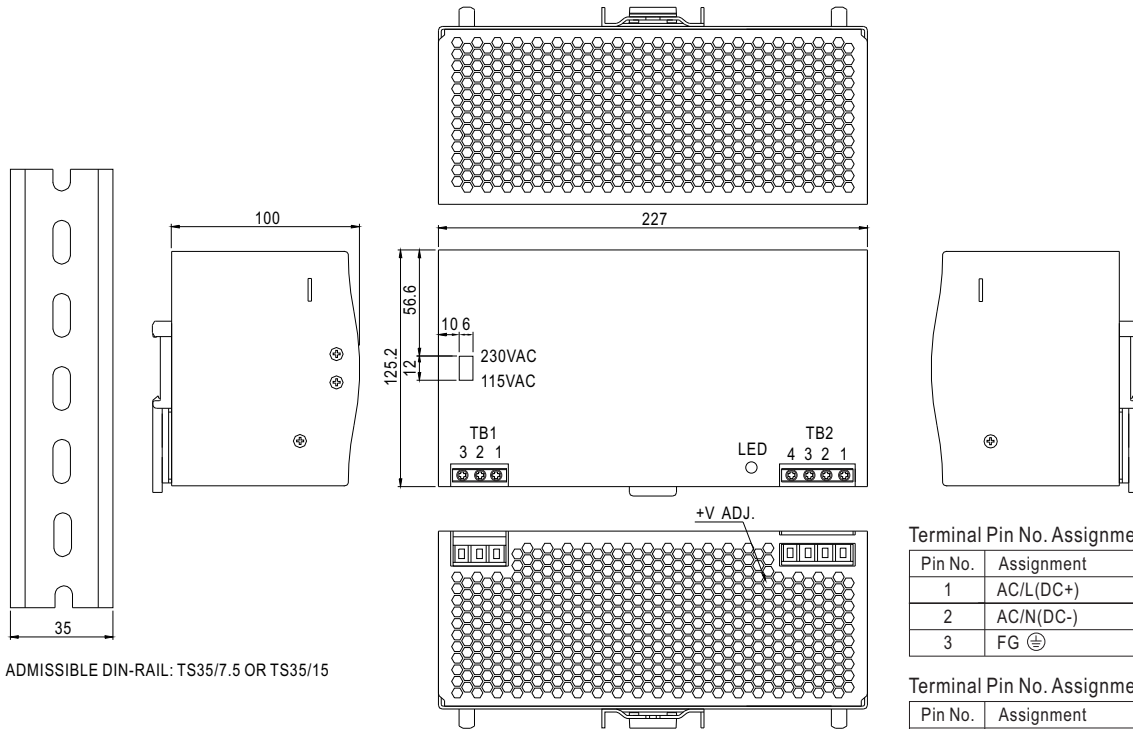


SPECIFICATION

| MODEL | DRP-480S-24 | DRP-480S-48 | |
|-----------------------|---|--|--|
| OUTPUT | DC VOLTAGE | 24V | 48V |
| | RATED CURRENT | 20A | 10A |
| | CURRENT RANGE | 0 ~ 20A | 0 ~ 10A |
| | RATED POWER | 480W | 480W |
| | RIPPLE & NOISE (max.) Note.2 | 120mVp-p | 120mVp-p |
| | VOLTAGE ADJ. RANGE | 24 ~ 28V | 48 ~ 55V |
| | VOLTAGE TOLERANCE Note.3 | ±1.0% | ±1.0% |
| | LINE REGULATION | ±0.5% | ±0.5% |
| | LOAD REGULATION | ±1.0% | ±1.0% |
| | SETUP, RISE TIME | 1200ms, 40ms/230VAC,115VAC at full load | |
| HOLD UP TIME (Typ.) | 23ms/230VAC,115VAC at full load | | |
| INPUT | VOLTAGE RANGE | 90 ~ 132VAC/180 ~ 264VAC by switch | 254 ~ 370VDC |
| | FREQUENCY RANGE | 47 ~ 63Hz | |
| | POWER FACTOR (Typ.) | ≥ 0.7/230VAC only | |
| | EFFICIENCY (Typ.) | 89% | |
| | AC CURRENT (Typ.) | 8A/115VAC | 3.2A/230VAC |
| | INRUSH CURRENT (Typ.) | COLD START 27A/115VAC | 45A/230VAC |
| LEAKAGE CURRENT | <3.5mA / 240VAC | | |
| PROTECTION | OVERLOAD | 105 ~ 150% rated output power Protection type : Constant current limiting, recovers automatically after fault condition is removed | |
| | OVER VOLTAGE | 30 ~ 36V | 59 ~66V Protection type : Shut down o/p voltage, re-power on to recover |
| | OVER TEMPERATURE | 100°C ±5°C (TSW : detect on heatsink of power switch) Protection type : Shut down o/p voltage, recovers automatically after temperature goes down | |
| ENVIRONMENT | WORKING TEMP. | -20 ~ +70°C (Refer to "Derating Curve") | |
| | WORKING HUMIDITY | 20 ~ 90% RH non-condensing | |
| | STORAGE TEMP., HUMIDITY | -40 ~ +85°C , 10 ~ 95% RH | |
| | TEMP. COEFFICIENT | ±0.03%/°C (0 ~ 50°C) | |
| VIBRATION | Component:10 ~ 500Hz, 2G 10min./1cycle, 60min. each along X, Y, Z axes; Mounting: Compliance to IEC60068-2-6 | | |
| SAFETY & EMC (Note 4) | SAFETY STANDARDS | UL508, UL60950-1, TUV EN60950-1, EAC TP TC 004 approved | |
| | WITHSTAND VOLTAGE | I/P-O/P:3KVAC | I/P-FG:2.0KVAC O/P-FG:0.5KVAC |
| | ISOLATION RESISTANCE | I/P-O/P, I/P-FG, O/P-FG:100M Ohms / 500VDC / 25°C / 70% RH | |
| | EMC EMISSION | Compliance to EN55032 (CISPR32), EN61204-3 Class B, EN61000-3-2,-3, EAC TP TC 020 | |
| | EMC IMMUNITY | Compliance to EN61000-4-2,3,4,5,6,8,11, EN61204-3, EN61000-6-2 (EN50082-2), heavy industry level, criteria A, EAC TP TC 020 | |
| OTHERS | MTBF | 187.9Khrs min. MIL-HDBK-217F (25°C) | |
| | DIMENSION | 227*125.2*100mm (W*H*D) | |
| | PACKING | 2.6Kg; 6pcs / 16.6Kg / 1.75CUFT | |
| NOTE | <p>1. All parameters NOT specially mentioned are measured at 230VAC input, rated load and 25°C of ambient temperature.</p> <p>2. Ripple & noise are measured at 20MHz of bandwidth by using a 12" twisted pair-wire terminated with a 0.1uf & 47uf parallel capacitor.</p> <p>3. Tolerance : includes set up tolerance, line regulation and load regulation.</p> <p>4. The power supply is considered a component which will be installed into a final equipment. The final equipment must be re-confirmed that it still meets EMC directives.</p> <p>5. The ambient temperature derating of 3.5°C/1000m with fanless models and of 5°C/1000m with fan models for operating altitude higher than 2000m(6500ft).</p> | | |

Mechanical Specification

Case No.930 Unit:mm



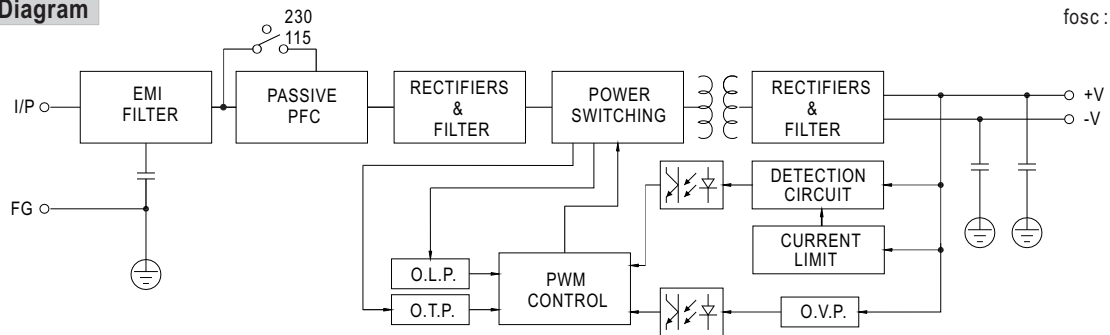
Terminal Pin No. Assignment (TB1)

| Pin No. | Assignment |
|---------|------------|
| 1 | AC/L(DC+) |
| 2 | AC/N(DC-) |
| 3 | FG ⊕ |

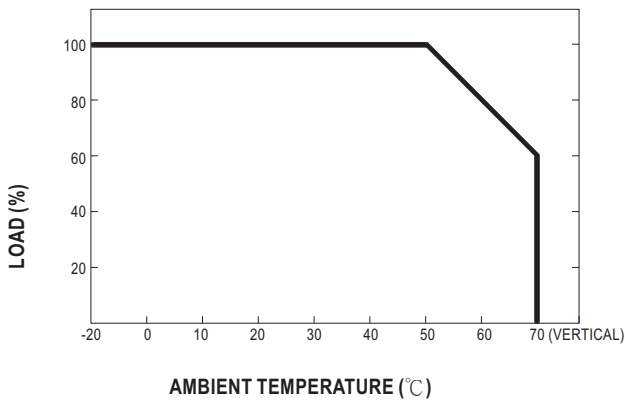
Terminal Pin No. Assignment (TB2)

| Pin No. | Assignment |
|---------|--------------|
| 1,2 | DC OUTPUT +V |
| 3,4 | DC OUTPUT -V |

Block Diagram



Derating Curve



Output Derating VS Input Voltage

