

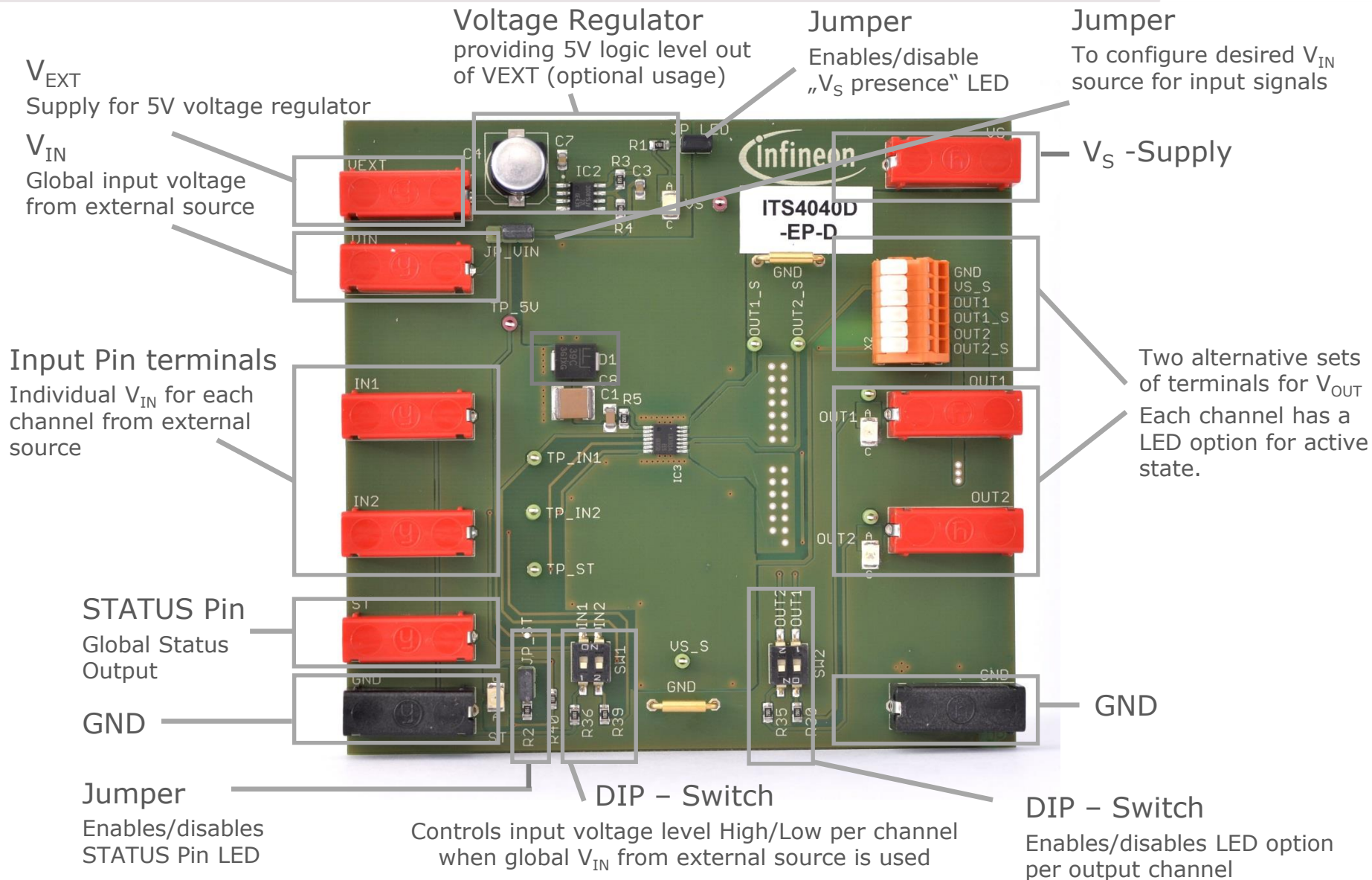
# ITS4040D Evaluation Board

## Rev. 1.0

### Schematics & Layout



# Board Overview



# Schematics

Voltage Regulator to generate 5V-logic levels for inputs

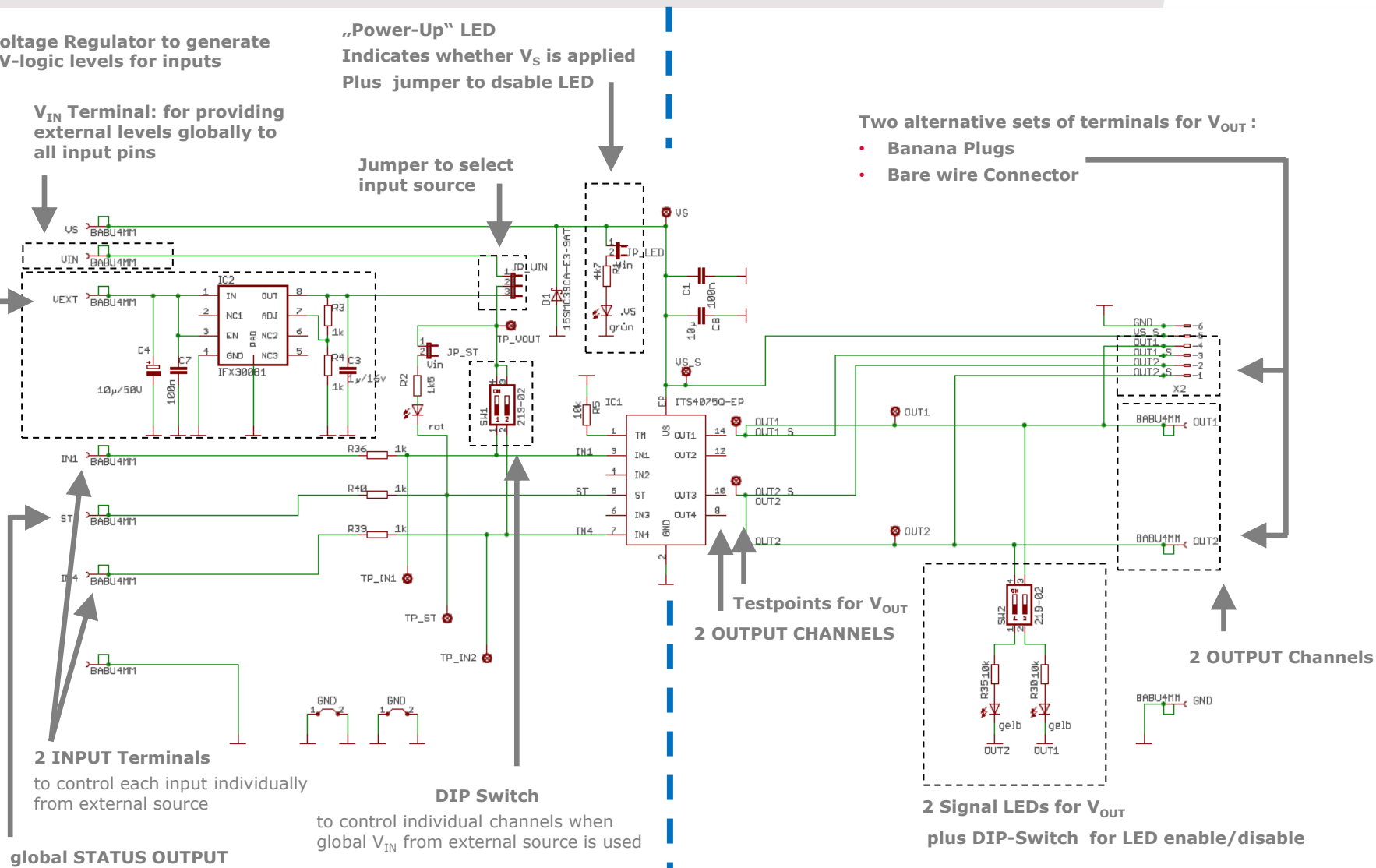
$V_{IN}$  Terminal: for providing external levels globally to all input pins

„Power-Up“ LED  
Indicates whether  $V_S$  is applied  
Plus jumper to dsable LED

Jumper to select input source

Two alternative sets of terminals for  $V_{OUT}$  :

- Banana Plugs
- Bare wire Connector



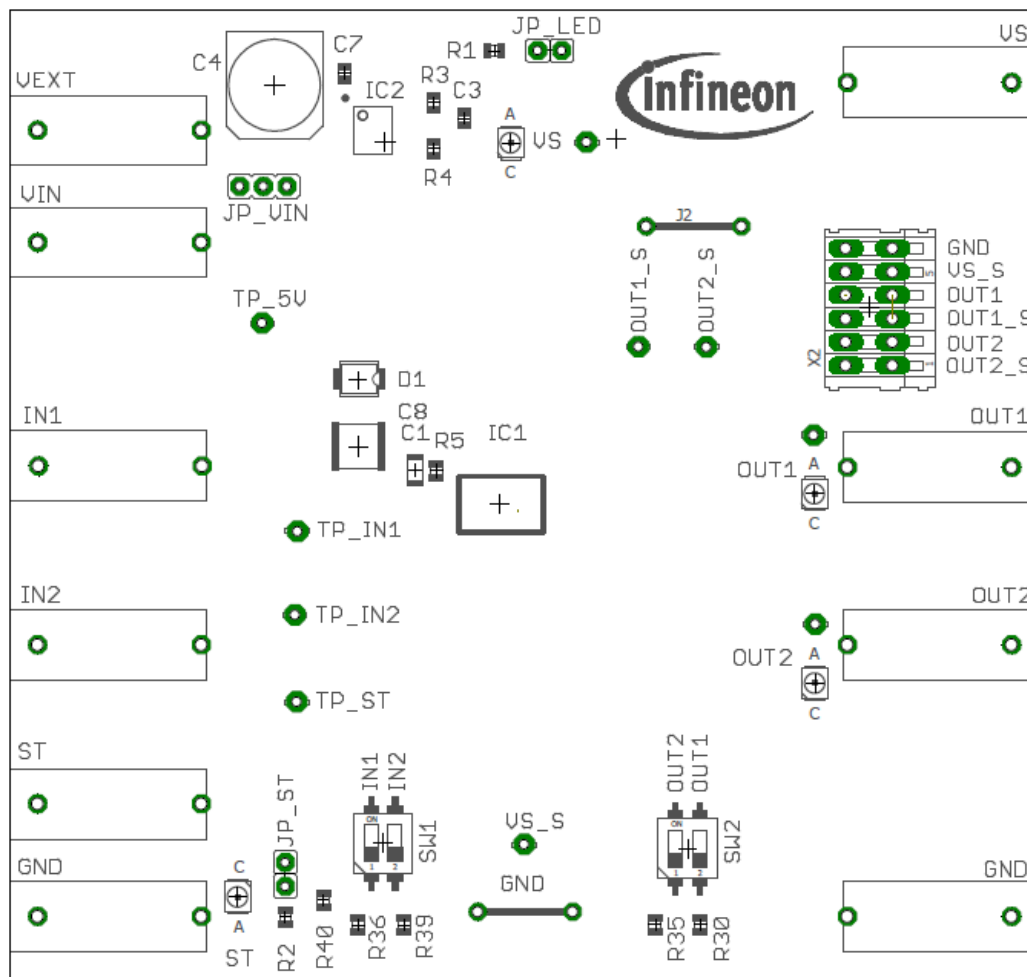
**CONTROL/INPUT - Side**

**POWER/OUTPUT - Side**

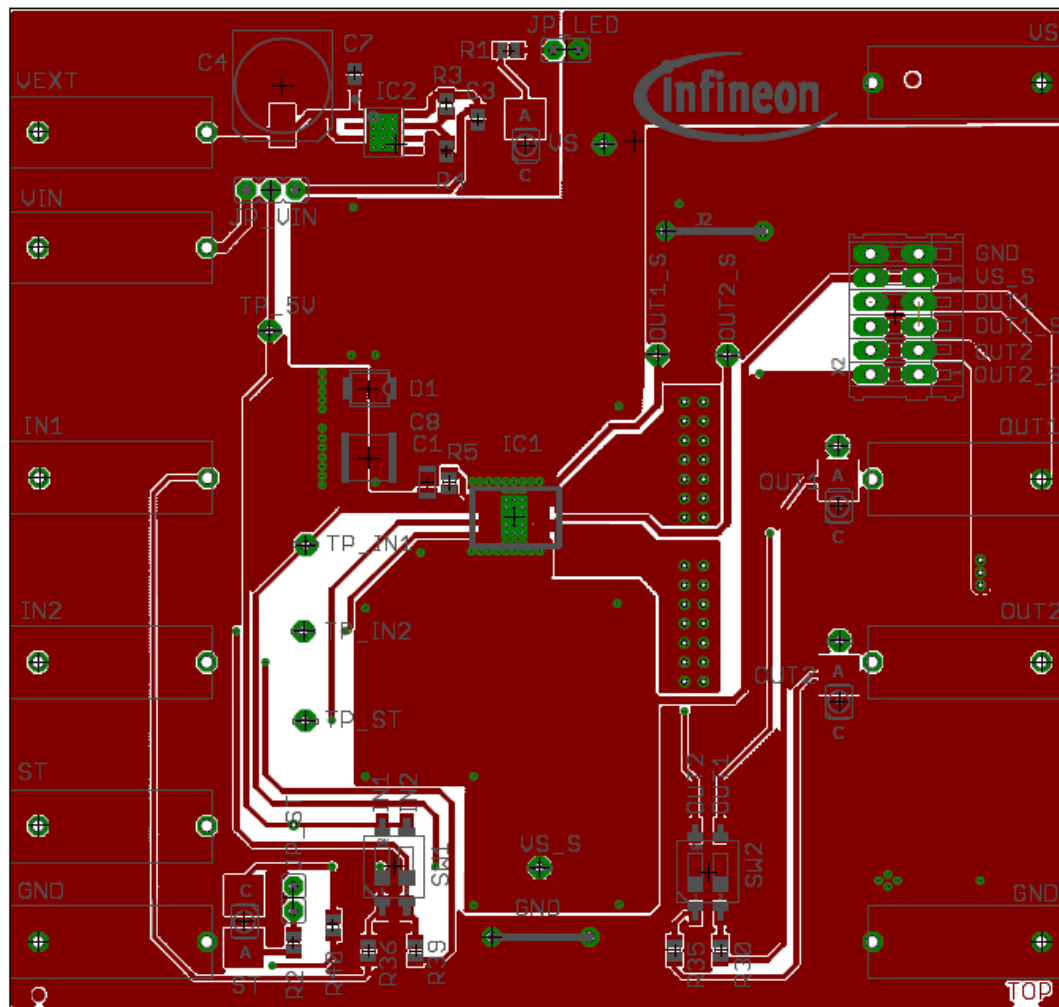
# Top View

IC1 = ITS4040D 2-channel Industrial PROFET

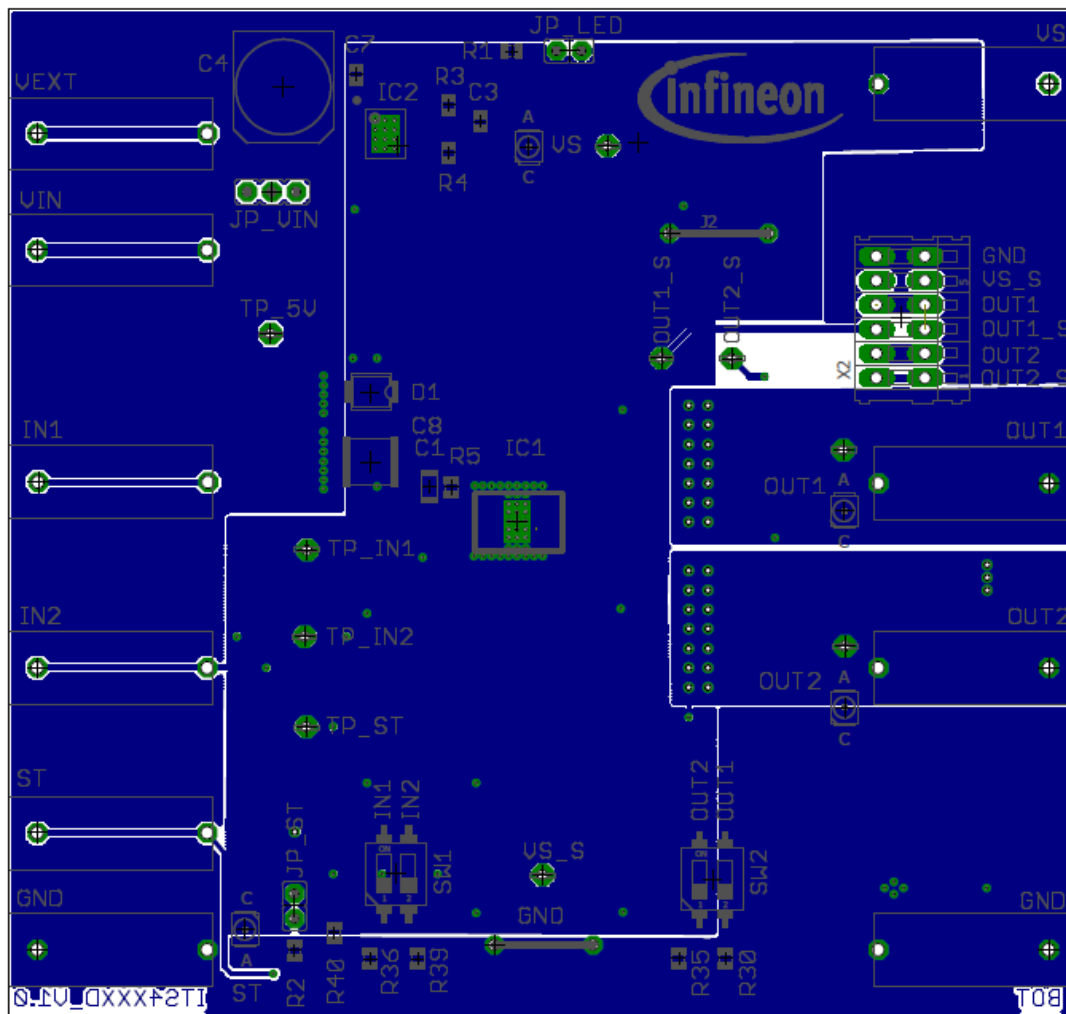
IC2 = IFX30081 VREG as option to generate logic levels for input pins



# Top Layer



# Bottom Layer







Part of your life. Part of tomorrow.

