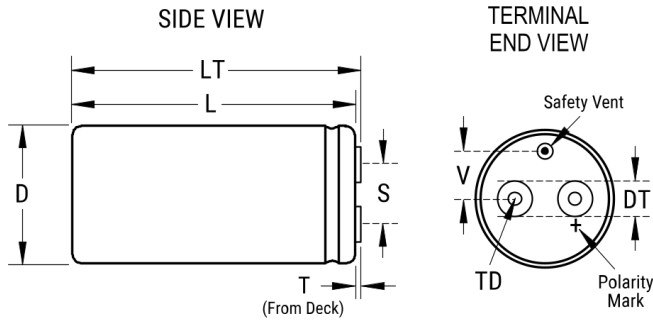


ALS40C472MF250

Aliases (A341PM472M250C)

ALS40, Aluminum Electrolytic, 4,700 uF, 20%, 250 VDC, -40/+105°C



Click [here](#) for the 3D model.

Dimensions

D	66mm +/-1mm
L	105mm +/-2mm
T	5.5mm +/-0.5mm
S	28.5mm +/-0.5mm
DT	13mm +/-0.5mm
LT	Available On Request
TD	10mm MIN
V	15.8mm NOM

Packaging Specifications

Sleeving	Yes
Packaging	Bulk, Box

General Information

Series	ALS40
Dielectric	Aluminum Electrolytic
Description	Screw Terminal, Aluminum Electrolytic
RoHS	Yes
AEC-Q200	No
Halogen Free	No
Component Weight	505 g
Notes	Dimensions D And L Include Sleeving. MS (MxH) = M12x16. Mounting Clamp (Sold Separately): V10/2738
Shelf Life	156 Weeks

Specifications

Capacitance	4,700 uF
Capacitance Tolerance	20%
Voltage DC	250 VDC, 287.5 VDC (Surge)
Temperature Range	-40/+105°C
Rated Temperature	105°C
Life	8000 Hrs (Rated Voltage And Ripple Current At 105C), 13000 Hrs (Rated Voltage At 105C)
Resistance	30 mOhms (100Hz 20C), 24 mOhms (10kHz 20C)
Ripple Current	12.3 Amps (100Hz 105C), 15 Amps (10kHz 105C)
Leakage Current	3525 uA (5min 20°C)