



Since 1959

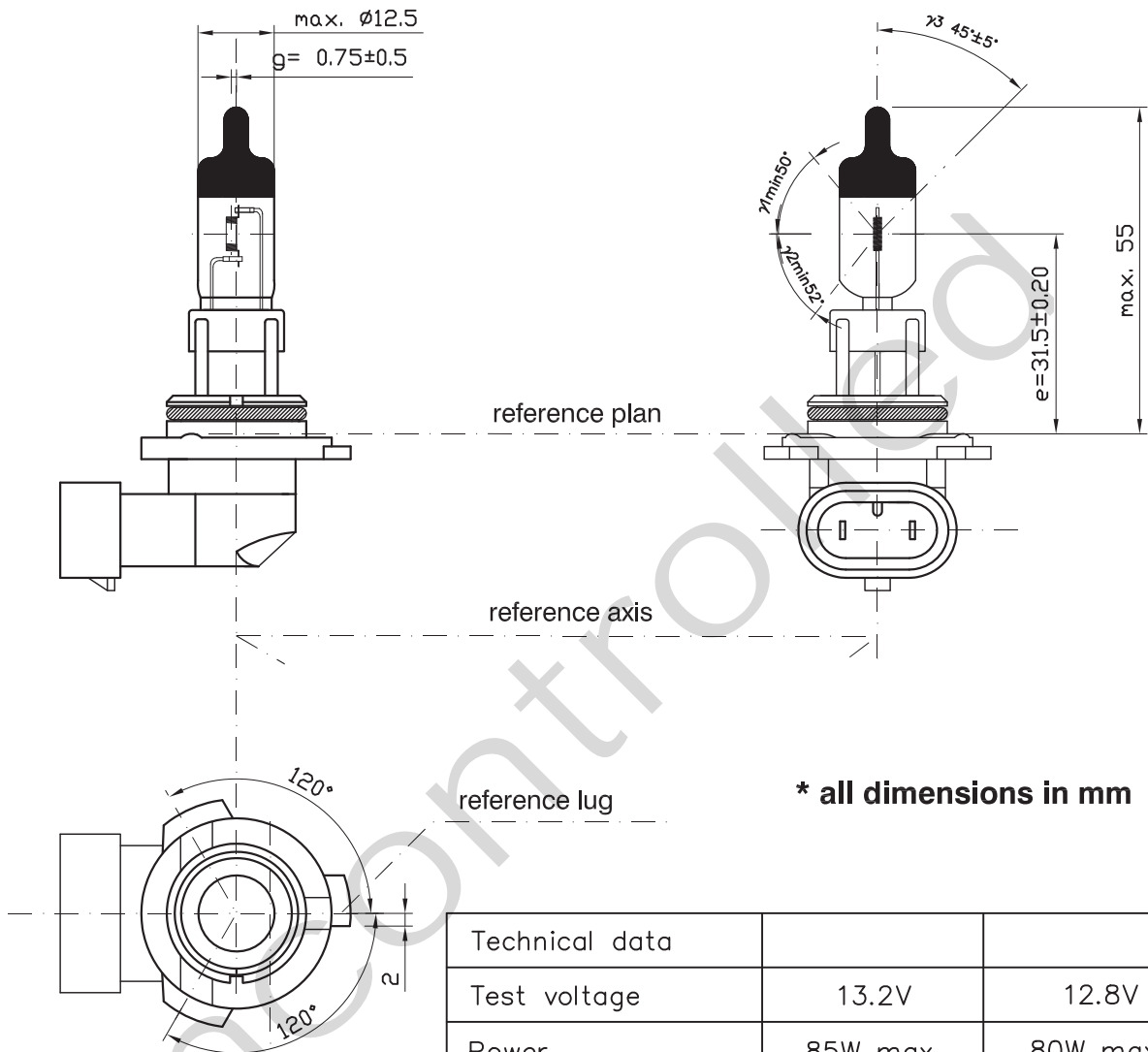
Product Information Sheet

9006 12V 80W

9006/80W

2022. 08. 23 NEW

2022. 02. 23 OLD



* all dimensions in mm

Halogen bulb

9006 RA 12V 80W

Cap: ¹⁾ P22d

Type: 9006 Rally

Bulb mat.: Hardglass

Technical data		
Test voltage	13.2V	12.8V
Power	85W max.	80W max.
Luminous flux	1650lm ±15%	1500lm ±15%
Lumen maintenance	85 % min (after 300hr)	85 % min (after 188hr)

Rated life:	^{4) 5)} at 13.2V	^{2) 3)} at 14.0V
	Tc: 600 hr	B70: 350 hr
	B50: 550 hr	B50: 320 hr
	B3: 300 hr	B10: 200 hr

Maximum operating temperature: 1: bulb 650°C max
2: pinch 400°C max

Vibration resistance acc. to IEC 60810 Annex B; table B.2 > 20h

- 1) According to IEC 60061-1 sheet 7004-32-2
- 2) According to SAE J 1383 Annex 5.20
- 3) Switching cycle according to SAE J 1383 5.20.2
- 4) According to IEC 60810 Annex A
- 5) Switching cycle according to IEC 60810 Annex A;4.1.1
- 6) Switching cycle according to IEC 60810 Annex A;4.1.2
- 7) Switching cycle according to IEC 60810 Annex A;4.2